

TENTH STREET

22040

NEW ENTRANCE TO SITE

7m BUILDING LINE

EXISTING PORCH CUT BACK, LEAN-TO AWNING DEMOL.

8100

EXISTING HOUSE

EXISTING GARAGE, STAFF QUARTERS & CARPORT, TO BE DEMOLISHED

EXISTING POOL PUMP TO BE DEMOLISHED & RELOCATED

EXISTING POOL

PORTION 2 ERF 173

POSITION OF NEW POOL PUMP

3/174

4/174

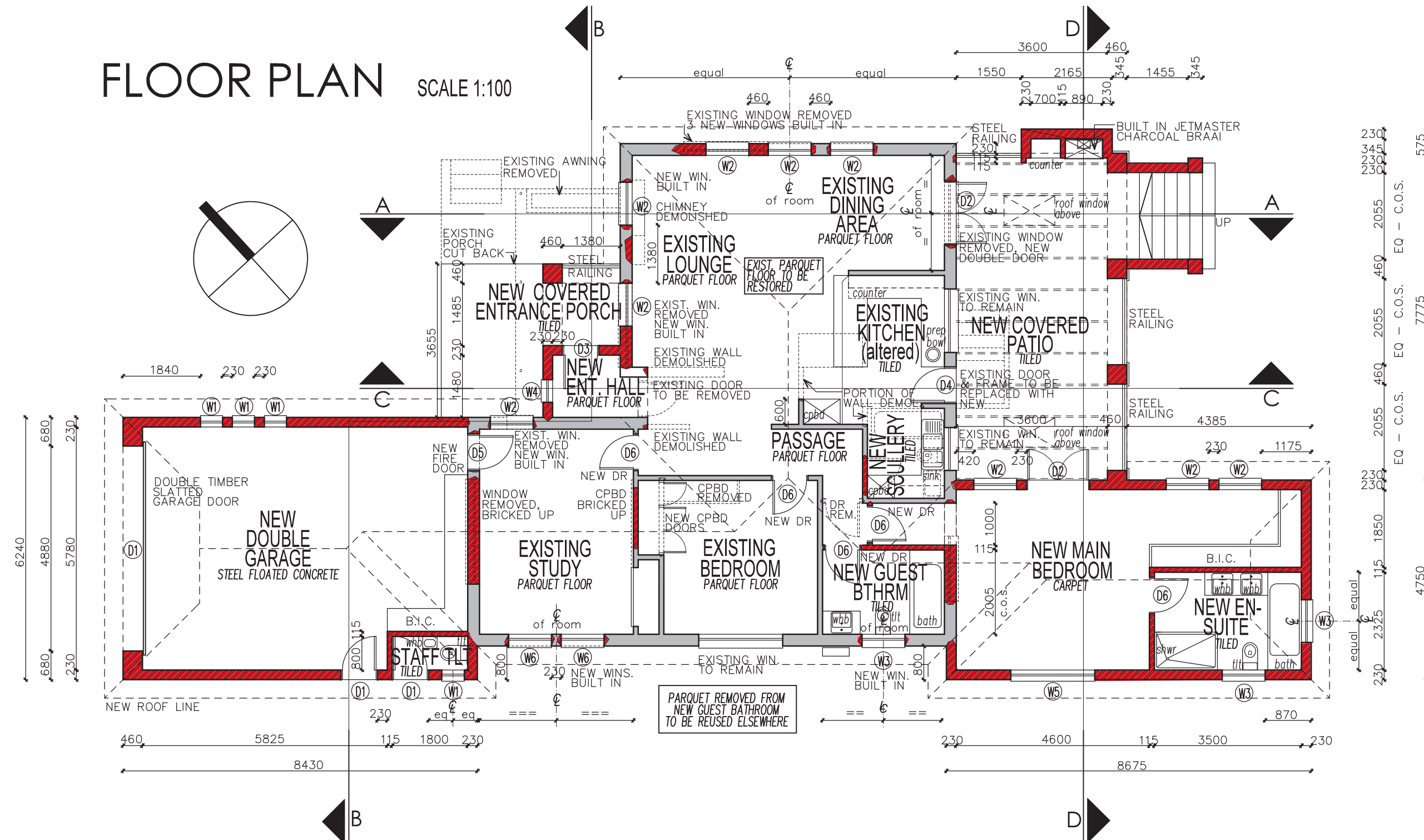
3/173

78715

78715

SITE PLAN SCALE 1:200

FLOOR PLAN SCALE 1:100



# DRAWING FOR PHRA-G CONSIDERATION ONLY

DRAWINGS ARE NOT TO BE SCALED, DIMENSIONS TO BE CHECKED, INFORMATION RELATING TO SITE CONDITIONS TO BE VERIFIED & DISCREPANCIES TO BE REPORTED TO THE ARCHITECT BY THE USER WITHOUT DELAY AND PRIOR TO EXECUTION OF WORK.

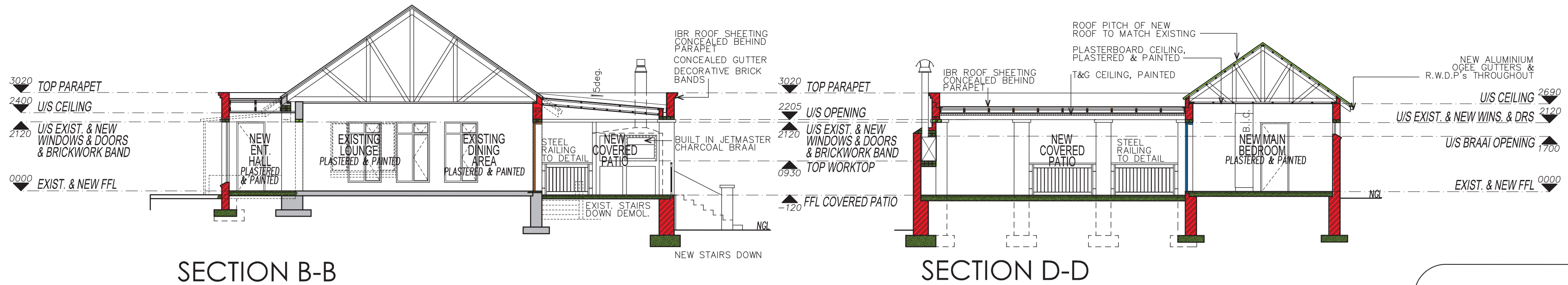
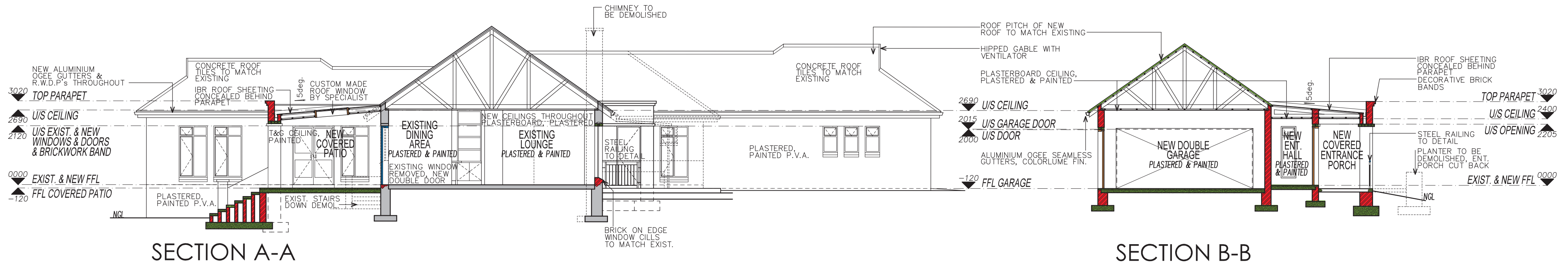
ALL INFORMATION CONTAINED IN THIS DRAWING IS PROJECT SPECIFIC. COPYRIGHT **barchas ARCHITECTS**

NO AMMENDMENTS SHALL BE MADE TO THIS DRAWING WITHOUT THE KNOWLEDGE OF THE AUTHOR AND WITHOUT REFERENCE TO THE ARCHITECT



P.O. Box 28998 Kensington, JHB, 2191  
 Tel: +2711 023 5656/7  
 Fax to e-mail: 085 101 3290  
 e-mail: admin@barchas.co.za

CLIENT	<b>LINDEN RESIDENCE</b>		
PROJECT	PROPOSED ALTERATIONS & ADDITIONS TO EXISTING HOUSE PORTION 2 OF ERF 173, LINDEN		
DRAWING	FLOOR PLAN & SITE PLAN		
DATE	MAY 2014	DRAWING No	rev
SCALE	1:100/1:200	3989 - 101	-
DRAWN	KLD		



SECTIONS SCALE 1:100



**barchas**  
ARCHITECTS cc

P.O. Box 28998 Kensington, JHB, 2191  
Tel: +2711 023 5656/7  
Fax to e-mail: 085 101 3290  
e-mail: admin@barchas.co.za

**DRAWING FOR PHRA-G  
CONSIDERATION ONLY**

DRAWINGS ARE NOT TO BE SCALED, DIMENSIONS TO BE CHECKED, INFORMATION RELATING TO SITE CONDITIONS TO BE VERIFIED & DISCREPANCIES TO BE REPORTED TO THE ARCHITECT BY THE USER WITHOUT DELAY AND PRIOR TO EXECUTION OF WORK.

ALL INFORMATION CONTAINED IN THIS DRAWING IS PROJECT SPECIFIC. COPYRIGHT

**barchas ARCHITECTS**

NO AMMENDMENTS SHALL BE MADE TO THIS DRAWING WITHOUT THE KNOWLEDGE OF THE AUTHOR AND WITHOUT REFERENCE TO THE ARCHITECT

CLIENT **LINDEN RESIDENCE**

PROJECT PROPOSED ALTERATIONS & ADDITIONS TO EXISTING HOUSE  
PORTION 2 OF ERF 173, LINDEN

DRAWING **SECTIONS**

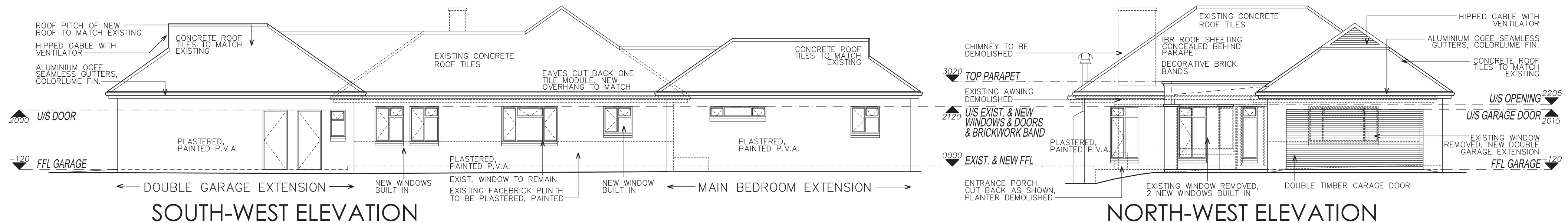
DATE	MAY 2014	DRAWING No	3989 - 102	rev	
SCALE	1:100				
DRAWN	KLD				





SOUTH-EAST ELEVATION

NORTH-EAST ELEVATION



SOUTH-WEST ELEVATION

NORTH-WEST ELEVATION

ELEVATIONS

SCALE 1:100



**barchas**  
ARCHITECTS cc  
P.O. Box 28998 Kensington, JHB, 2191  
Tel: +2711 023 5656/7  
Fax to e-mail: 085 101 3290  
e-mail: admin@barchas.co.za

DRAWING FOR PHRA-G  
CONSIDERATION ONLY

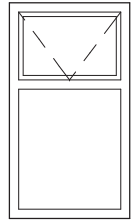
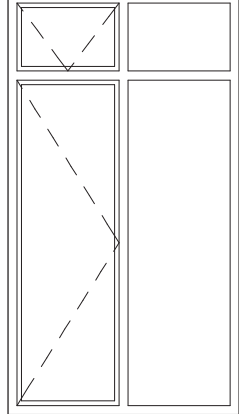
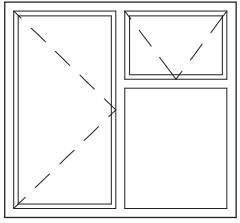
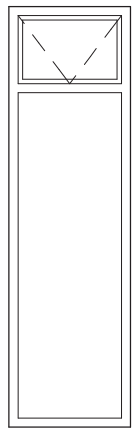
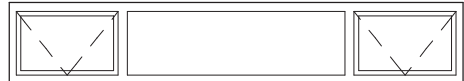
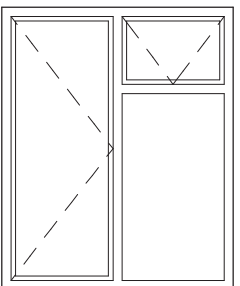
DRAWINGS ARE NOT TO BE SCALED, DIMENSIONS TO BE CHECKED, INFORMATION RELATING TO SITE CONDITIONS TO BE VERIFIED & DISCREPANCIES TO BE REPORTED TO THE ARCHITECT BY THE USER WITHOUT DELAY AND PRIOR TO EXECUTION OF WORK.  
ALL INFORMATION CONTAINED IN THIS DRAWING IS PROJECT SPECIFIC. COPYRIGHT  
**barchas ARCHITECTS**  
NO AMMENDMENTS SHALL BE MADE TO THIS DRAWING WITHOUT THE KNOWLEDGE OF THE AUTHOR AND WITHOUT REFERENCE TO THE ARCHITECT

CLIENT	<b>LINDEN RESIDENCE</b>		
PROJECT	PROPOSED ALTERATIONS & ADDITIONS TO EXISTING HOUSE PORTION 2 OF ERF 173, LINDEN		
DRAWING	ELEVATIONS		
DATE	MAY 2014	DRAWING No	3989 - 103
SCALE	1:100		
DRAWN	KLD		

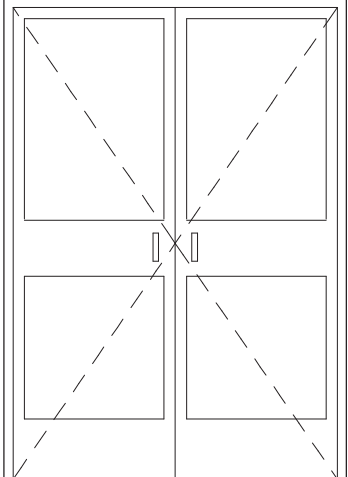
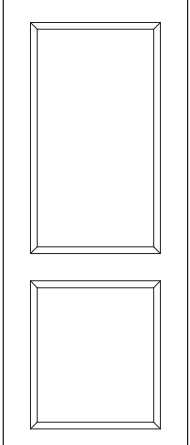
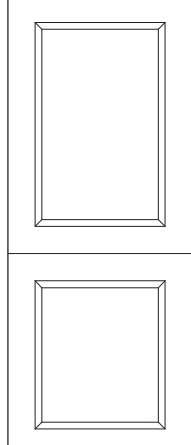
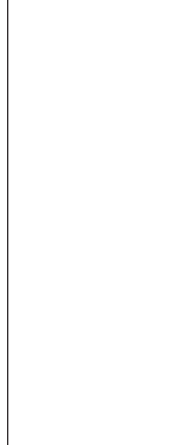
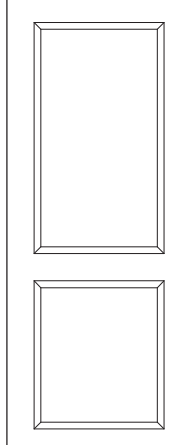
# BASIC DOOR AND WINDOW SCHEDULE N.T.S.

## INDICATING PROPORTION AND FINISHES

### WINDOWS

DRAWING												
WINDOW NUMBER	W1	4 OF	W2	9 OF	W3	3 OF	W4	1 OF	W5	1 OF	W6	2 OF
OPENING SIZE	533 x 949		1022 x 1854		1022 x 949		533 x 1854		2000 x 359		1022 x 1245	
WINDOW TYPE	STEEL, NC5F		STEEL, NG2/ND52		STEEL, NC2F		STEEL, NG1/ND55		STEEL, NG11		STEEL, ND2F	
FINISH	PAINTED		PAINTED		PAINTED		PAINTED		PAINTED		PAINTED	

### DOORS

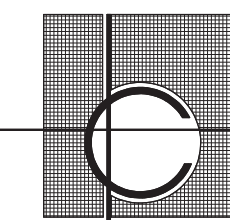
DRAWING										
DOOR NUMBER	D2	2 OF	D3	1 OF	D4	1 OF	D5	1 OF	D6	5 OF
DOOR SIZE	1511 x 2135 (OPENING)		813 X 2032		813 X 2032		813 X 2032		813 X 2032	
DOOR TYPE	STEEL, NDDA		SOLID TIMBER, SWARTLAND SD16		SOLID TIMBER, SWARTLAND SD16S		FIRE DOOR ROCKLITE		MDF, SWARTLAND MDFELGH10	
FRAME	STEEL		TIMBER		TIMBER		STEEL (PURPOSE MADE)		TIMBER	
FINISH	PAINTED		PAINTED		PAINTED		PAINTED		PAINTED	

### DRAWING FOR PHRA-G CONSIDERATION ONLY

DRAWINGS ARE NOT TO BE SCALED, DIMENSIONS TO BE CHECKED, INFORMATION RELATING TO SITE CONDITIONS TO BE VERIFIED & DISCREPANCIES TO BE REPORTED TO THE ARCHITECT BY THE USER WITHOUT DELAY AND PRIOR TO EXECUTION OF WORK.

ALL INFORMATION CONTAINED IN THIS DRAWING IS PROJECT SPECIFIC. COPYRIGHT **barchas ARCHITECTS**

NO AMMENDMENTS SHALL BE MADE TO THIS DRAWING WITHOUT THE KNOWLEDGE OF THE AUTHOR AND WITHOUT REFERENCE TO THE ARCHITECT



**barchas**  
ARCHITECTS<sup>CC</sup>

P.O. Box 28998 Kensington, JHB, 2191  
Tel: +2711 023 5656/7  
Fax to e-mail: 085 101 3290  
e-mail: admin@barchas.co.za

CLIENT **LINDEN RESIDENCE**

PROJECT PROPOSED ALTERATIONS & ADDITIONS  
TO EXISTING HOUSE  
PORTION 2 OF ERF 173, LINDEN

DRAWING **BASIC DOOR & WINDOW SCHEDULES**

DATE	MAY 2014	DRAWING No	3989 - 104	rev
SCALE	1:100			
DRAWN	KLD			