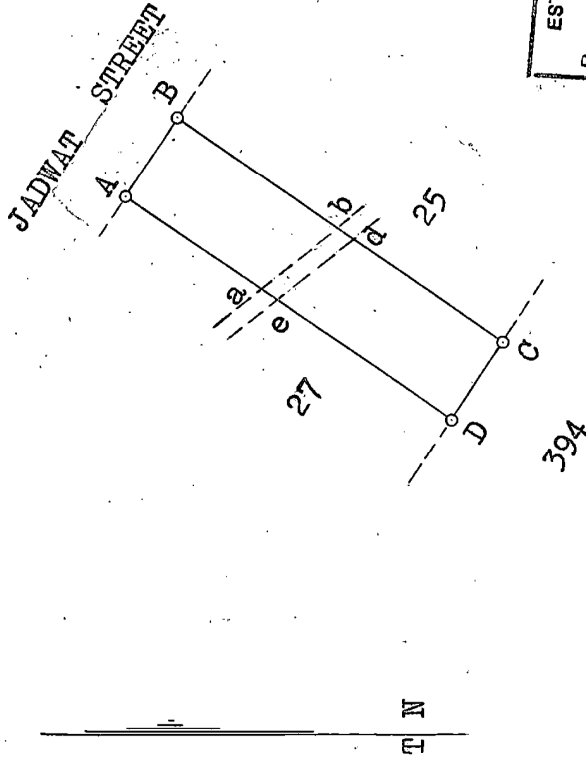
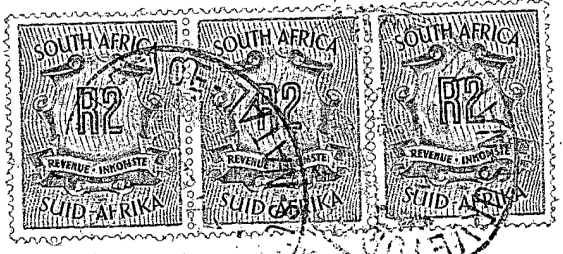


G.P. NO. 50X15

SIDES ENGLISH FEET		DIRECTIONS ANGLES		CO-ORDINATES Y SYSTEM		X		S.G. No. <b>808/1969</b>	
AB	50.35	A	90.00.00					Approved <i>[Signature]</i> Surveyor-General. F-6-3-1969	
BC	216.61	B	90.00.00						
CD	50.35	C	89.46.00						
DA	216.40	D	90.14.00						



Reg. Div.  
F.T.



ESTABLISHED Beacons   Boundaries	Ref No. S.R. No.
C-D.	35/1988 782/1937

Beacons  
 $\frac{1}{2}$ " pipes A.B.C.D.

The figure abde represents a Drainage Servitude 10 ft. wide.

SCALE: 1 : 1250

The figure A B C D  
represents 10,900 Square Feet

LOT 26 ISIPINGO TOWNSHIP

situate in the Borough of Amanzimtoti County of Durban Province of Natal.

surveyed in July - October 1937  
by me *[Signature]*  
Land Surveyor.

of land, being

This diagram relates to

The original diagram is SG

File No. //

AT No. 12717/1986

No. 3198/1937

S.R. No. 782/1937

Transfer Grant C.R.T.

Registrar of Deeds.

No. 1246/1939

Comp. FT8D 24A  
Degree Sheet 59

PRINTED BY  
TARBOTON & MITCHELL  
PIETERMARITZBURG

S.D. 6257-6-66