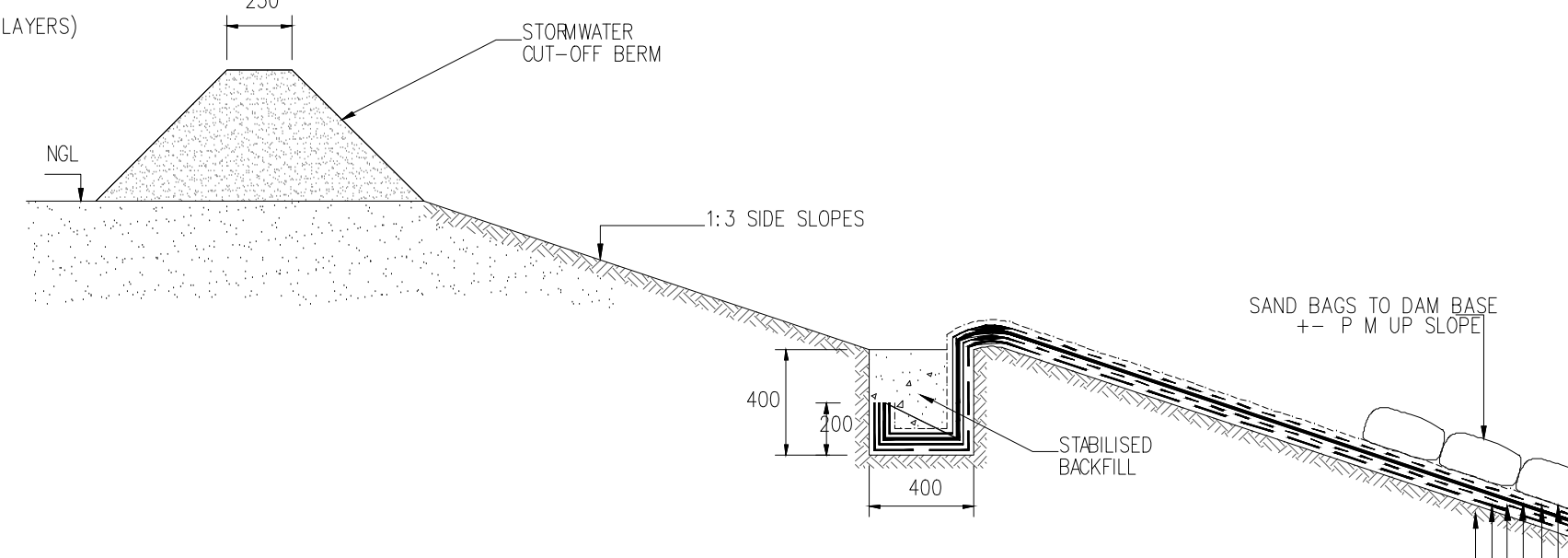
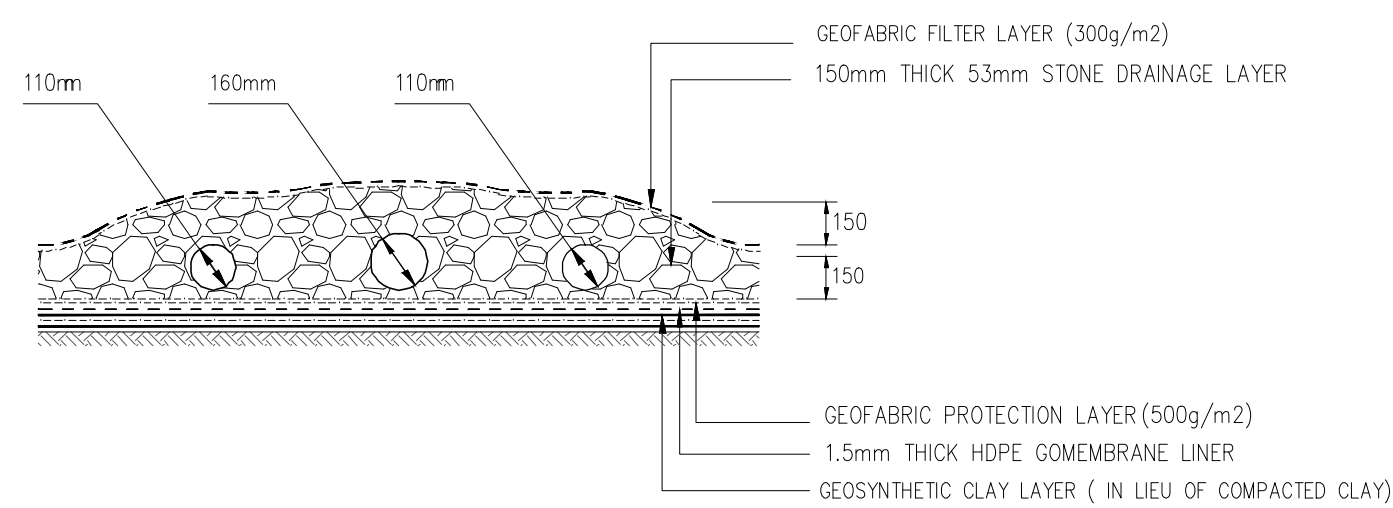


DETAIL A – LANDFILL CELL ANCHOR TRENCH DETAIL  
N.T.S



DETAIL C: STORMWATER CUT-OFF BERM  
1:20

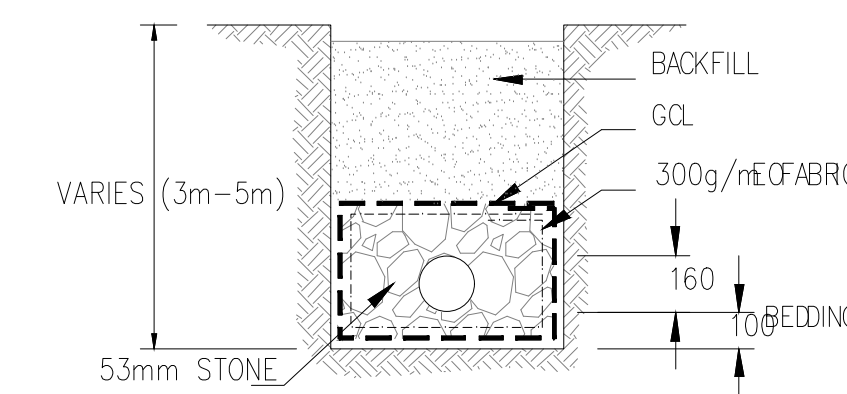


SECTION A  
N.T.S

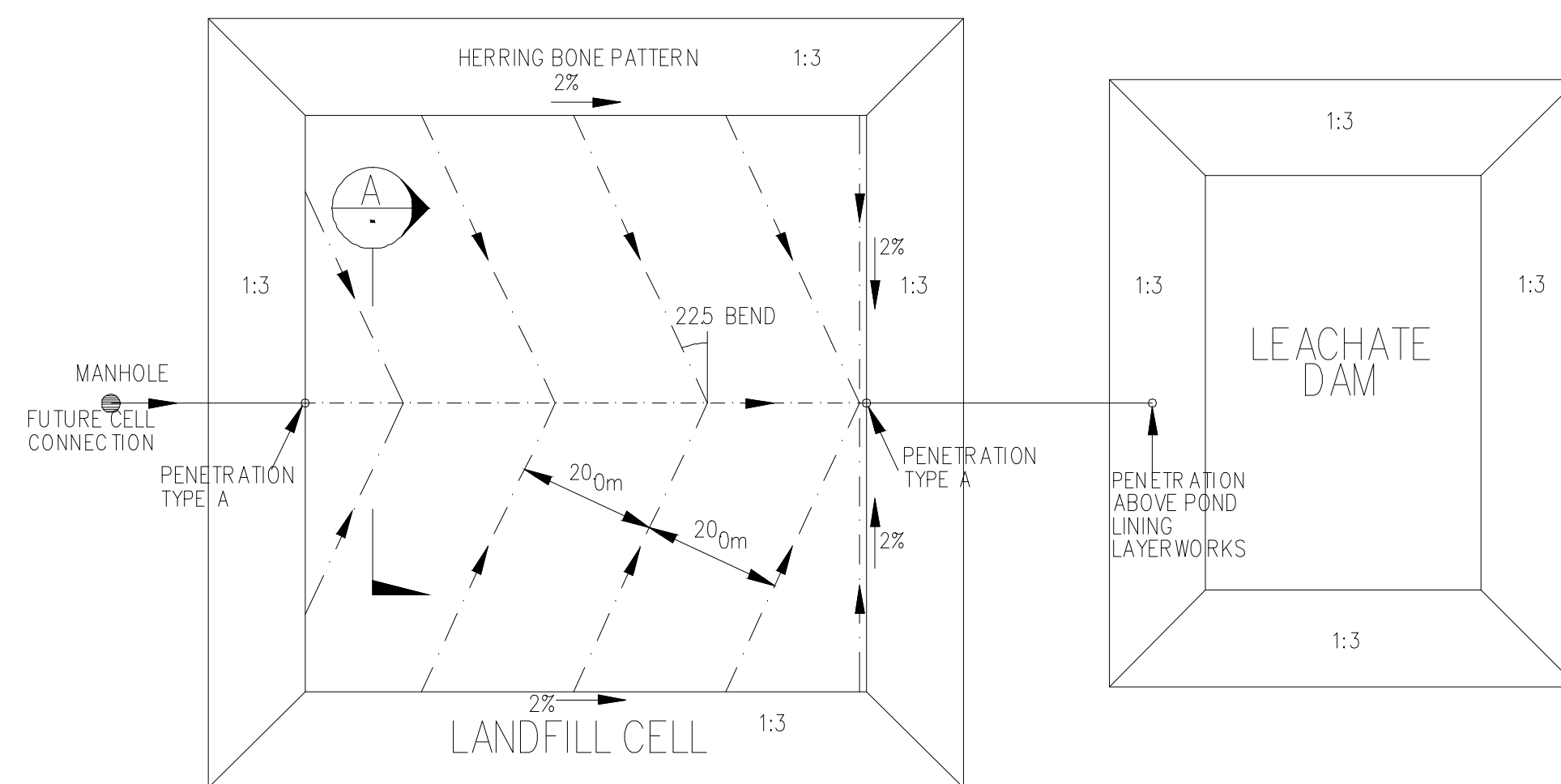
BASIN DETAIL

| LEGEND |                                 |
|--------|---------------------------------|
| ---    | 110mm PE100HDPE PERFORATED PIPE |
| ---    | 200mm PE100HDPE PERFORATED PIPE |
| ---    | 200mm PE100HDPE PIPE            |

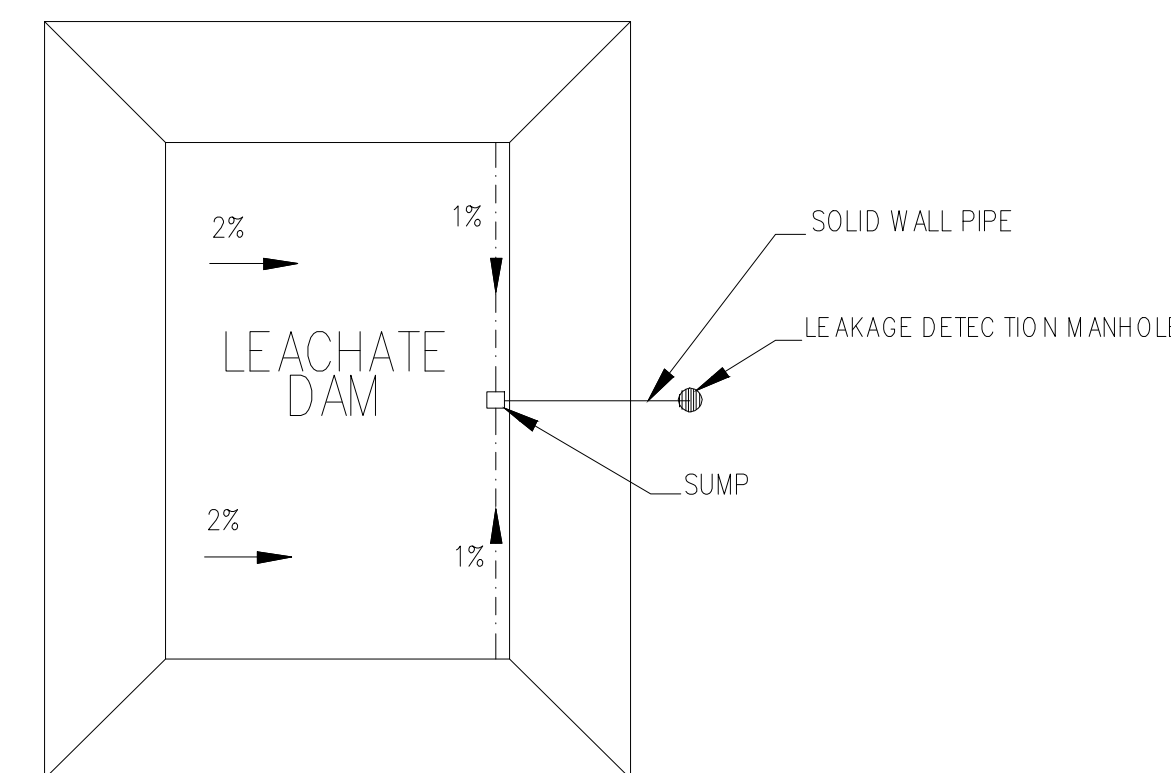
| LEGEND |                                 |
|--------|---------------------------------|
| ---    | 160mm PE100HDPE PIPE            |
| ---    | 160mm PE100HDPE PERFORATED PIPE |



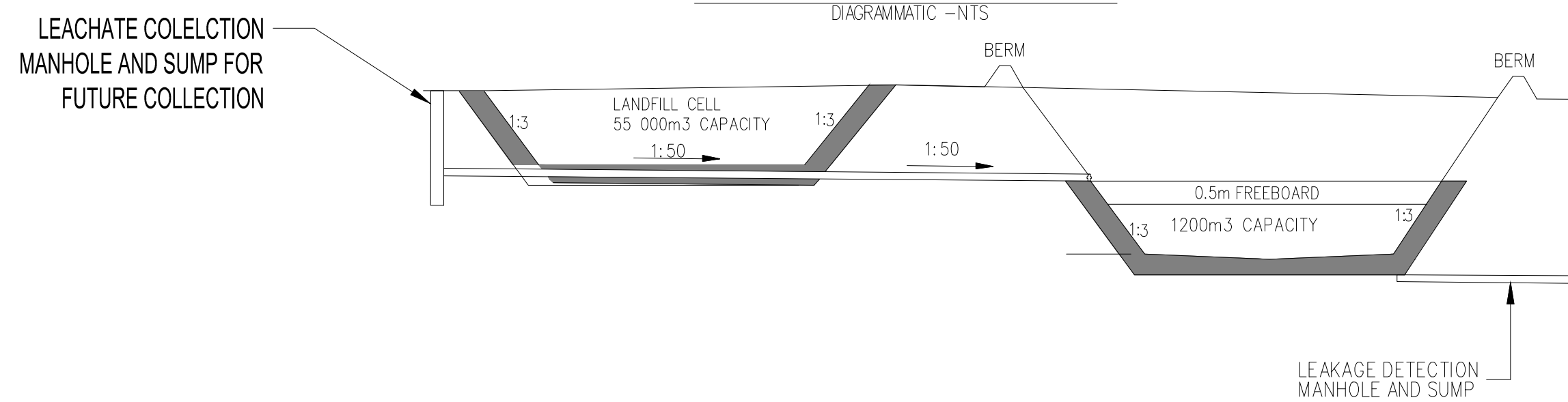
DETAIL D: PIPE BACKFILLING AND BEDDING  
DETAIL (TO ALL PIPES IN VIRGIN GROUND)  
1:20



DETAIL E – LANDFILL LEACHATE COLLECTION  
DIAGRAMMATIC – N.T.S



DETAIL F – LEAKAGE DETECTION  
DIAGRAMMATIC – N.T.S



TYPICAL CROSS-SECTION  
N.T.S.

NOTES

All dimensions on the drawings must be against the existing site conditions before the commencement of any work.

Drawings may not be scaled.

Except where otherwise indicated all given levels are unfinished levels.

All work must be done according to the South African Bureau of Standard's code of practice SANS 10400-2010

Client:-



Consultant:-



PROJECT NO: 2017/LANDFILL  
SITE/02:LUCKHOFF: CLOSURE OF EXISTING  
SOLID WASTE SITE AND CONSTRUCTION OF  
WASTE FACILITY (PHASE 1 AND 2)

CONSTRUCTION OF WASTE  
DISPOSAL FACILITY

drawing title

LUCK-HOFF SOLID WASTE DISPOSAL  
FACILITY: LANDFILL DETAILS

|                           |                          |
|---------------------------|--------------------------|
| ref.no. LLM/2017/PD/SL003 | designed Tokelo Motheane |
| scale N.T.S               | drawn Ntutu Tshabalala   |
| date FEBRUARY 2018        | checked Thabo Hloele     |
| drawing number            |                          |

LLM/2017/PD/SL003