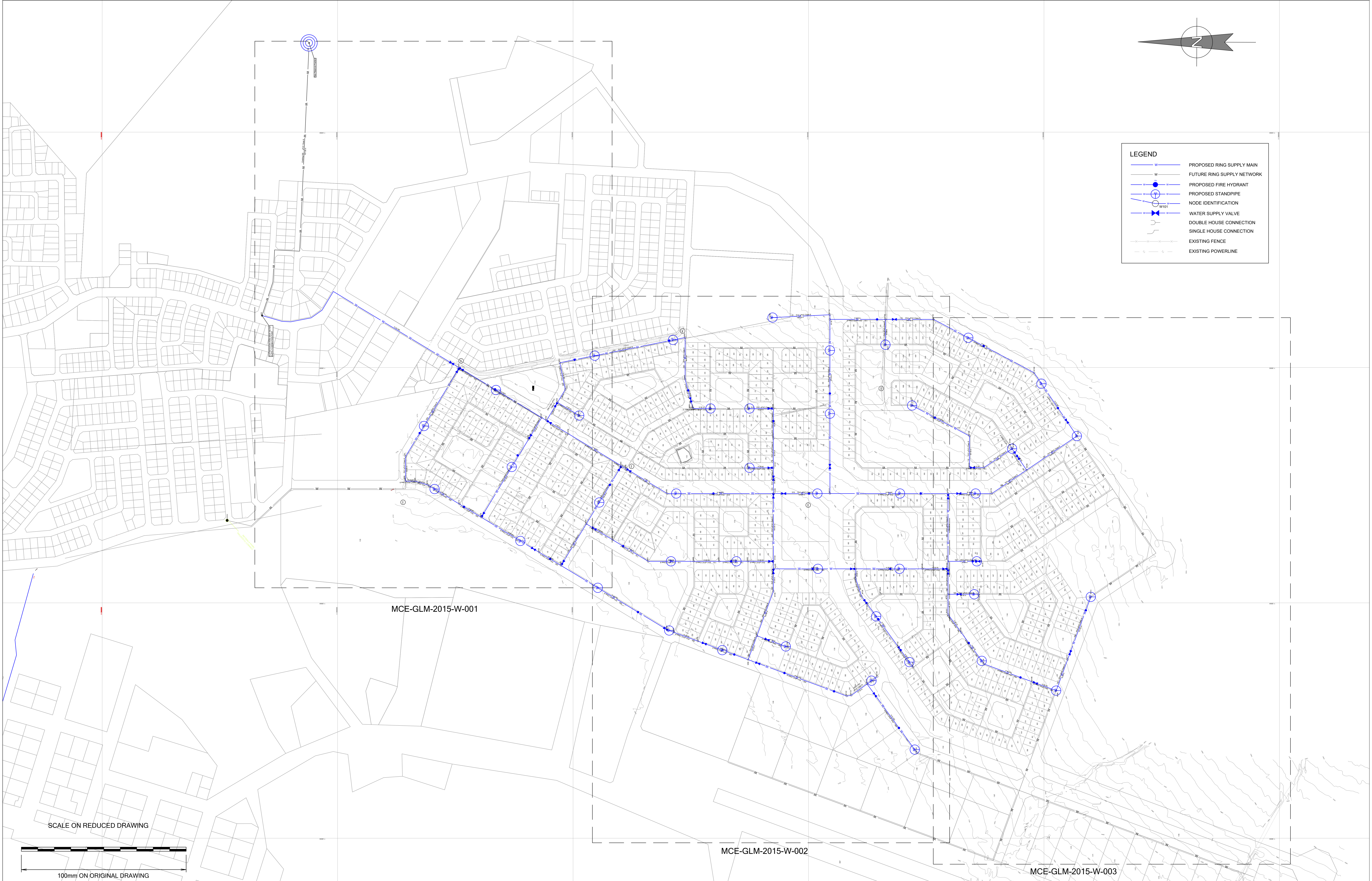


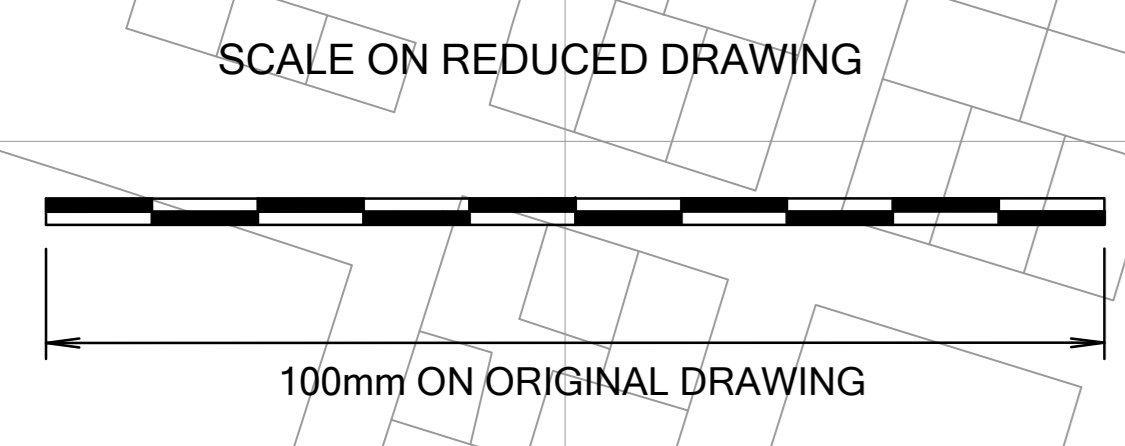
LEGEND	
	PROPOSED RING SUPPLY MAIN
	FUTURE RING SUPPLY NETWORK
	PROPOSED FIRE HYDRANT
	PROPOSED STANDPIPE
	NODE IDENTIFICATION
	WATER SUPPLY VALVE
	DOUBLE HOUSE CONNECTION
	SINGLE HOUSE CONNECTION
	EXISTING FENCE
	EXISTING POWERLINE



MCE-GLM-2015-W-001

MCE-GLM-2015-W-002

MCE-GLM-2015-W-003



SIGNATURE	
DESIGNED BY	P. MADONDO
DRAWN BY	R. KOEE
CHECKED BY	T. MASHININI
APPROVED BY	T. MADONDO

A	22/06/18	ISSUED FOR TENDER PURPOSES
Rev.	DATE	AMENDMENTS



**METSWEDING CONSULTING ENGINEERS**  
 No. 15 PLATINUM SUNRISE, 02 VELDS STREET, NAVALSIG, 9301, BLOEMFONTEIN  
 TEL: 081 256 1159 FAX: 086 774 4229



**GAMAGARA LOCAL MUNICIPALITY**  
 PO BOX 1001  
 KATHU, 8446  
 Tel: +27 53 723 2261 Fax: +27 53 723 2021  
**NEW WATER RETICULATION LAYOUT**  
 1300 STANDS IN OLIFANTSHOEK

APPROVED BY: \_\_\_\_\_  
 For: HEAD OF TECHNICAL DATE \_\_\_\_\_

STAGE	SCALE	SIZE	DRAWING NO:
TENDER	1: 2500	A0	MCE-GLM-2015-W-000
DRAWING TITLE:			SHEET No.
OLIFANTSHOEK DEVELOPMENT - OVERALL WATER LAYOUT			1 of 1