

NOISE COMPLIANCE STATEMENT AND SCREENING NOISE REPORT

for the Proposed Battery Energy Storage System at the
Mierdam Solar Photo-Voltaic Facility



Statement done for:



Prepared by:



EXECUTIVE SUMMARY

INTRODUCTION

Enviro-Acoustic Research cc was commissioned to assess the potential noise impact due to the development for a proposed Battery Energy Storage System (BESS) at their authorized Mierdam Photo-Voltaic (PV) facility. This facility is located approximately 14 km south of Copperton, Northern Cape Province.

Due to the distance between the proposed facility and the closest potential noise-sensitive receptors, this report considers the requirements set by both GNR 320 as well as SANS 10328:2008 which does allow for a screening level report.

BRIEF PROJECT DESCRIPTION

South Africa Mainstream Renewable Power (Pty) Ltd proposes to include a BESS at their Mierdam PV plant to store energy for use at a later time or date. The typical components of such a system would be the battery system (including the battery thermal management system), energy management system and power electronics.

EXISTING AMBIENT SOUND LEVELS

Ambient sound levels were not measured at this project site, but based on numerous measurements collected in similar areas, it is expected that ambient sound levels will be typical of a rural noise district with faunal sounds dominating both night and day. Most farmers in the area will consider this to be naturally quiet.

Considering the developmental character, it was selected to assign an acceptable noise rating level of a rural noise district (as per SANS 10103:2008). Typical night-time sound levels will be less than 35 dBA with daytime sound levels being less than 45 dBA (during no, or low wind conditions).

CLOSEST POTENTIAL NOISE-SENSITIVE RECEPTORS

Residential areas and potential noise-sensitive developments/receptors were identified using tools such as Google Earth® as well as the potential sensitive areas (using the online Screening Tool. The closest potential noise-sensitive receptor is located further than 2 km from the proposed BESS.

FINDINGS, SUMMARY AND RECOMMENDATION

This report determines, using administrative means, whether the proposed development could have any significant acoustical implications considering a questionnaire as proposed by SANS 10328:2008. As all the questions are negative, it is unlikely that the planned development will present a noise disturbance. As recommended by SANS 10328:2008, a scoping investigation and an environmental noise impact investigation may not be required.

Considering the location where the BESS is proposed, the system would be further than 500 m from any potential receptor, with the closest receptor further than 2 km away.

It is therefore the opinion of the author that there exists a low potential for a noise impact and that no further Scoping or other acoustical studies would be required for the proposed system. No specific mitigation measures regarding noise or additional noise measurements are recommended. No additional conditions regarding noise are recommended for inclusion in the EMPr.

It is therefore recommended that the Mierdam BESS project be approved from a noise perspective.

This report should be sited as:

De Jager, M. (2020): "Noise Compliance Statement and Screening Noise Report for the Proposed Battery Energy Storage System at the Mierdam Photo-Voltaic Facility". Enviro-Acoustic Research cc, Pretoria

Client:

SiVEST SA (Pty) Ltd for
South Africa Mainstream Renewable Power (Pty) Ltd

PO BOX 2921
Rivonia
2128

Report no:

S-MSMDB/NCS/20201010-Rev 0

Author:

M. de Jager (B. Ing (Chem))

Review:

Johan Maré (M. Sc., Pr.Sci.Nat)

Date:

October 2020

COPYRIGHT WARNING

This information is privileged and confidential in nature and unauthorized dissemination or copying is prohibited.

This information will be updated as required. South Africa Mainstream Renewable Power (Pty) Ltd claims protection of this information in terms of the Promotion of Access to Information Act, (No 2 of 2002) and without limiting this claim, especially the protection afforded by Chapter 4.

The document is the property of Enviro Acoustic Research CC. The content, including format, manner of presentation, ideas, technical procedure, technique and any attached appendices are subject to copyright in terms of the Copyright Act 98 of 1978 (as amended by the respective Copyright Amendment Acts No. 56 of 1980, No. 66 of 1983, No. 52 of 1984, No. 39 of 1986, No. 13 of 1988, No. 61 of 1989, No. 125 of 1992, Intellectual Property Laws Amendment Act, No. 38 of 1997 and, No. 9 of 2002) in terms of section 6 of the aforesaid Act, and may only be reproduced as part of the Environmental Authorization process by SiVEST or associated subsidiaries.

TABLE OF CONTENTS

	page
EXECUTIVE SUMMARY	ii
TABLE OF CONTENTS.....	v
LIST OF TABLES	vi
LIST OF FIGURES	vi
APPENDICES	vi
GLOSSARY OF ABBREVIATIONS	vi
1 CHECKLIST: GG43110 MINIMUM REQUIREMENTS	1
2 INTRODUCTION.....	2
2.1 Introduction and Purpose	2
2.2 Brief Project Description	2
2.3 Project Study Area	3
2.3.1 Existing Ambient Sound Levels	3
2.3.2 Potential Sensitive Receptors (Noise-Sensitive Developments).....	4
2.4 Terms of Reference	4
3 LEGAL CONTEXT, POLICIES AND GUIDELINES.....	8
3.1 The Republic of South Africa Constitution Act (“the Constitution”)	8
3.2 The National Environmental Management Act (Act 107 of 1998)	8
3.3 The Environment Conservation Act (Act 73 of 1989)	9
3.3.1 National Noise Control Regulations (GN R154 of 1992)	9
3.4 Noise Standards.....	10
3.5 International Guidelines	11
3.5.1 Night Noise Guidelines for Europe (WHO, 2009).....	11
3.5.2 Guidelines for Community Noise (WHO, 1999).....	12
3.5.3 IFC: General EHS Guidelines – Environmental Noise Management	12
4 ASSUMPTIONS AND LIMITATIONS	13
4.1 Ambient Sound Levels.....	13
4.2 Adequacy of Underlying Assumptions	14
4.3 Uncertainties of Information Provided	15
5 METHODOLOGY: SCREENING QUESTIONNAIRE	16

6	CONCLUSIONS AND RECOMMENDATIONS	18
7	REFERENCES.....	19

LIST OF TABLES

Table 3-1: IFC Table .7.1-Noise Level Guidelines	page 12
Table 5-1: Questions for Noise Screening (SANS 10328:2008)	16

LIST OF FIGURES

Figure 2-1: Conceptual BESS components	page 3
Figure 2-2: Potential Noise Sensitive Areas and identified receptors	7

APPENDICES

Appendix A	Curriculum Vitae
Appendix B	Glossary of Terms
Appendix C	Declaration of Independence
Appendix D	Site Sensitivity Verification

GLOSSARY OF ABBREVIATIONS

AZSL	Acceptable Zone Sound Level (Rating Level)
BESS	Battery Energy Storage System
dB	Decibel
DACE	Department of Agriculture, Conservation and Environment
DEAT	Department of Environmental Affairs and Tourism
DEFF	Department of Environment, Forestry and Fisheries
EARES	Enviro-Acoustic Research cc
ECA	Environment Conservation Act, 1989 (Act No 78 of 1989)
EIA	Environmental Impact Assessment
ENIA	Environmental Noise Impact Assessment
ENPAT	Environmental Potential Atlas
f	fast setting, see Appendix B
GG	Government Gazette
Hz	Hertz

i	Impulse setting, see Appendix B
I&AP(s)	Interested and Affected Party(ies)
i.e.	that is
IFC	International Finance Corporation
In/sec	inches per second
Kg/m ²	kilogram per square metres
km/h	kilometres per hour
L _{A10}	See Appendix B
L _{A90}	See Appendix B
L _{Aeq}	See Appendix B
L _{Amax}	See Appendix B
L _{Amin}	See Appendix B
LPG	Liquid Petroleum Gas
m	Metres
m/s	Metres per second
m ²	Square metre
m ³	Cubic metre
mamsl	Metre above mean sea level
mm	millimetre
NCR	Noise Control Regulations (under Section 25 of the ECA)
NEMA	National Environmental Management Act, 1998 (Act No 107 of 1998)
NGO	Non-government Organisation
NR	Noise Reduction
NSD	Noise-Sensitive Development
p/d	per day
PV	Photo-Voltaic
Rpm	Revolutions per minute
RSA	Republic of South Africa
SABS	South African Bureau of Standards
SANS	South African National Standards
t	Time
TOR	Terms of Reference
WHO	World Health Organisation

1 CHECKLIST: GG43110 MINIMUM REQUIREMENTS

The Noise Compliance Statement (NCS) must contain, as a minimum, the following information:

Requirement	Comment / Reference
Contact details of the environmental assessment practitioner or noise specialist, their relevant qualifications and expertise in preparing the statement, and a curriculum vitae	See Appendix A
A signed statement of independence by the environmental assessment practitioner or noise specialist.	See Appendix C
A map showing the proposed development footprint (including supporting infrastructure) overlaid on the noise sensitivity map generated by the screening tool	Figure 2-2
Confirmation that all reasonable measures have been taken through micro- siting to minimize disturbance to receptors	Not required as potential noise impact is low at the location where the Battery Energy Storage System is proposed.
A substantiated statement from the environmental assessment practitioner or noise specialist on the acceptability, or not, of the proposed development and a recommendation on the approval, or not, of the proposed development	See section 6
Any conditions to which this statement is subjected	See section 6
Where required, proposed impact management outcomes or any monitoring requirements for inclusion in the EMPr	See section 6
A description of the assumptions made and any uncertainties or gaps in knowledge or data as well as a statement of the timing and intensity of site inspection observations	See section 4

2 INTRODUCTION

2.1 INTRODUCTION AND PURPOSE

Enviro-Acoustic Research cc was commissioned to compile a Noise Compliance Statement as part of the Environmental Authorisation for a proposed Battery Energy Storage System (BESS) at the authorized Mierdam PV facility. This facility is located approximately 14 km south of Copperton, Northern Cape Province.

Proponents intending to submit an application for environmental authorisation must screen their proposed site for any environmental sensitivity. The Screening Tool also provides site specific EIA process and review information, identifies related exclusions and/or specific requirements including specialist studies applicable to the proposed site and/or development. The Screening Tool considers the national sector classification and the environmental sensitivity of the site.

Finally, the Screening Tool allows for the generating of a Screening Report (required to accompany any application for Environmental Authorisation) that will also highlight the required specialist studies to be appended to the application for environmental authorization. One of the required specialist studies identified was noise, the subject of this report.

This report in addition also consider the requirements of SANS 10328:2008. This guideline allows the assessment of noise impacts on the environment due to a proposed activity that might impact on the environment using an administrative screening questionnaire. If the outcome of all the questions is negative, the planned development or activity is not likely to present a noise disturbance and a Screening report may be submitted to the relevant authorities as part of the Environmental Authorization process.

2.2 BRIEF PROJECT DESCRIPTION

South Africa Mainstream Renewable Power (Pty) Ltd proposes to include a BESS at their Mierdam PV plant to store energy for use at a later time or date using electro-chemical solutions. The typical components of a BESS are (source: ADB, 2018):

- The battery system which could consist of:
 - o Multiple cells,
 - o The battery management system; and,
 - o The battery thermal management system.
- Components required for the reliable operation of the overall system, including:
 - o Energy management system; and,
 - o System thermal management.
- Power electronics that can be grouped into the conversion unit (such as an inverter), which manage the power flow between the grid and battery, including the required control

and monitoring components, voltage sensing units and thermal management of power electronic components (fans or climate control system).

There could be numerous such BESSs running in parallel to increase the total storage capacity of the system up to the desired or needed capacity. The typical components are illustrated in **Figure 2-1**.

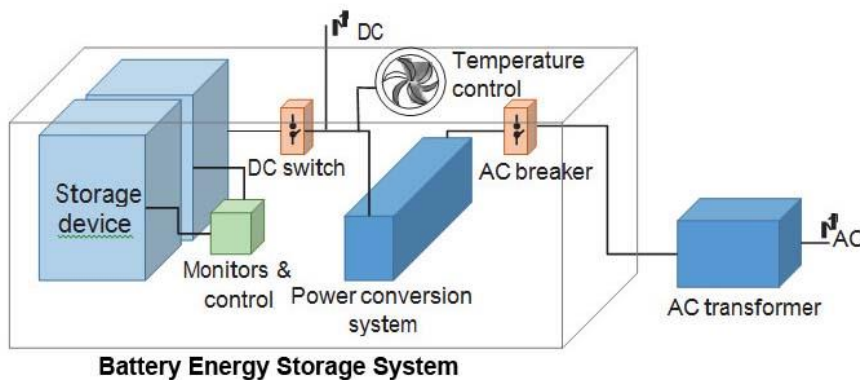


Figure 2-1: Conceptual BESS components

While certain components may generate a slight hum under load, the dominant source of noise is from the fans or climate control system used to manage heat in the system and/or to maintain the BESS within its optimal operating temperature range. The noise emission levels from a BESS is normally insignificant, with available information reporting sound levels of 50 dB at source when the BESS gets to a certain temperature and require cooling or heating. This is a low sound level and will result in the noise being inaudible at distances further than 200 m.

2.3 PROJECT STUDY AREA

The area surrounding the proposed site consists predominantly of agricultural lands dominated by sheep farming and game ranching activities. Consequently, there is very little, if any noise generated from the farming activities.

There are a number of other solar PV facilities in the project area, but little noise is associated with these activities. Similarly, there is little traffic on the R357 road that could influence ambient sound levels.

2.3.1 Existing Ambient Sound Levels

Ambient sound levels were not measured at this project site, but based on numerous measurements collected in similar areas, it is expected that ambient sound levels will be typical of a rural noise district with faunal sounds dominating both night and day. Most farmers in the area will consider this to be naturally quiet.

Considering the developmental character, it was selected to assign an acceptable noise rating level of a rural noise district (as per SANS 10103:2008). Typical night-time sound levels will be less than 35 dBA with daytime sound levels being less than 45 dBA (during no, or low wind conditions).

2.3.2 Potential Sensitive Receptors (Noise-Sensitive Developments)

Residential areas and potential noise-sensitive developments/receptors were identified using tools such as Google Earth® as well as the potential sensitive areas (using the Screening Tool, available at <https://screening.environment.gov.za/screeningtool/#/pages/welcome>).

Based on the output of the Online Screening Tool, areas with a potential high noise sensitivity are illustrated in **Figure 2-2**. The site was not visited by the noise specialist, using available aerial images as well as the Visual Impact Assessment Report (da Cruz, 2012) to identify the closest receptors. Based on this information the closet potential noise-sensitive receptor is further than 2 km from the BESS focus area, with the structure located in the “Very High Noise Sensitive” area being a dam.

2.4 TERMS OF REFERENCE

SANS 10328:2008 (Edition 3) specifies the methodology to assess the noise impacts on the environment due to a proposed activity that might impact on the environment. The standard also stipulates the minimum requirements to be investigated for screening purposes. These minimum requirements are:

- a) Identification and description of the noise sources and noise-sensitive developments associated with the development that has to be investigated;
- b) Identification and description of the noise sources and noise-sensitive developments in the target area that could affect the development (or that could be affected by the development) that has to be investigated;
- c) Identification, with the assistance of all interested or affected parties, and description of all the noise sources and noise-sensitive developments associated with the development, or located within the target area, that are to be excluded from the investigation. The reason(s) for the exclusion shall be stated; and
- d) A reference to this standard regarding the method of investigation.

The purpose of the investigation is to determine, by administrative means, whether the proposed development could have any significant acoustical implications. It is based on an overview of all the information available as well as the review of a questionnaire. If the outcome of all the questions is negative, the planned development or activity is not likely to present a noise

disturbance. In this case, a scoping investigation and an environmental noise impact investigation could be dispensed and this Screening report may be submitted to the relevant authorities as part of the Environmental Authorization process.

If one or more of the answers to the questions for the Screening Report is affirmative, the acoustical impact could probably be significant and a scoping investigation and, if necessary, an environmental noise impact investigation shall be considered.

The Department of Environment, Forestry and Fisheries (DEFF) also promulgated Regulation 320, dated 20 March 2020 as published in Government Gazette No. 43110. The Procedures for the Assessment and Minimum Criteria for Reporting on Identified Environmental Themes in Terms of Sections 24(5)(a) and (h) and 44 of the National Environmental Management Act, 1998, when applying for Environmental Authorisation, would be applicable to this project.

This regulation defines the requirements for undertaking a site sensitivity verification, specialist assessment and the minimum report content requirements for environmental impact where a specialist assessment is required but no protocol has been prescribed. It require that the current land use be considered using the national web based environmental screening tool to confirm the site sensitivity available at: <https://screening.environment.gov.za>.

If an applicant intending to undertake an activity identified in the scope of this protocol for which a specialist assessment has been identified on the screening tool on a site identified as being of:

- "very high" sensitivity for noise, must submit a Noise Specialist Assessment; or
- "low" sensitivity for noise, must submit a Noise Compliance Statement (NCS).

On a site where the information gathered from the site sensitivity verification differs from the designation of "very high" sensitivity on the screening tool and it is found to be of a "low" sensitivity, a NCS must be submitted.

On a site where the information gathered from the initial site sensitivity verification differs from the designation of "low" sensitivity on the screening tool and it is found to be of a "very high" sensitivity, a Noise Specialist Assessment must be submitted.

If any part of the proposed development footprint falls within an area of "very high" sensitivity, the assessment and reporting requirements prescribed for the "very high" sensitivity apply to the entire footprint excluding linear activities for which noise impacts are associated with construction activities only and the noise levels return to the current levels after the completion of construction activities, in which case a compliance statement applies. In the context of this

protocol, development footprint means the area on which the proposed development will take place and includes any area that will be disturbed.

The minimum requirements for a NCS are also covered in **Section 1** in the form of a checklist. **Figure 2-2** illustrates the output defining the potential sensitivities around the proposed development, highlighting that the footprint of the proposed BESS falls outside areas with a “high” sensitivity. With the footprint of the proposed BESS falling within an area with a “low” sensitivity, this report will take the form of an NCS.

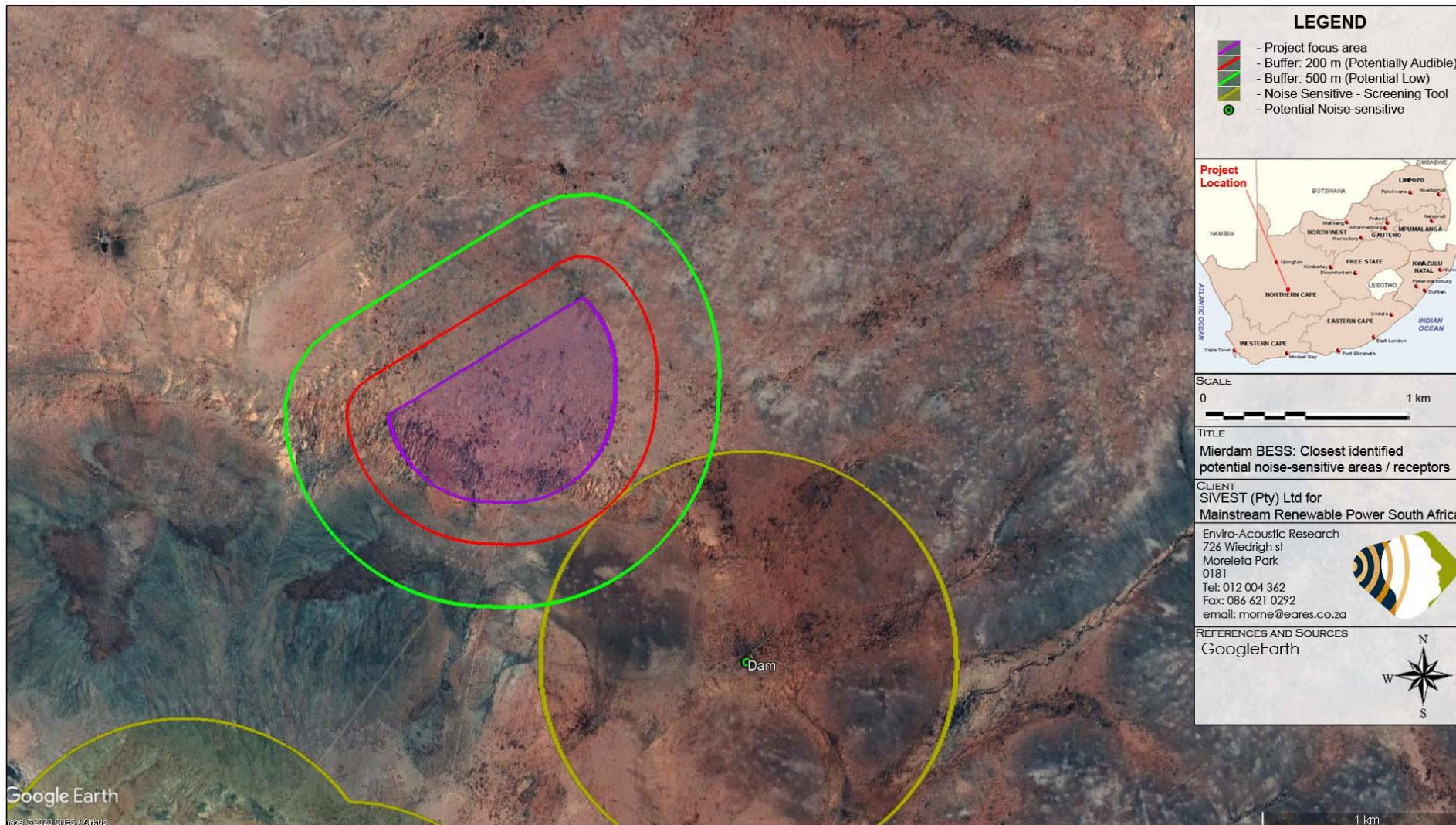


Figure 2-2: Potential Noise Sensitive Areas and identified receptors

3 LEGAL CONTEXT, POLICIES AND GUIDELINES

Legal policies, guidelines (National and International) are provided in this section for reference purpose.

3.1 THE REPUBLIC OF SOUTH AFRICA CONSTITUTION ACT (“THE CONSTITUTION”)

The environmental rights contained in section 24 of the Constitution provide that everyone is entitled to an environment that is not harmful to his or her well-being. In the context of noise, this requires a determination of what level of noise is harmful to well-being. The general approach of the common law is to define an acceptable level of noise as that which the reasonable person can be expected to tolerate in the particular circumstances. The subjectivity of this approach can be problematic which has led to the development of noise standards (see **Section 3.4**).

“Noise pollution” is specifically included in Part B of Schedule 5 of the Constitution, which means that noise pollution control is a local authority competence, provided that the local authority concerned has the capacity to carry out this function.

3.2 THE NATIONAL ENVIRONMENTAL MANAGEMENT ACT (ACT 107 OF 1998)

The National Environmental Management Act (“NEMA”) defines “pollution” to include any change in the environment, including noise. A duty therefore arises under section 28 of NEMA to take reasonable measures while establishing and operating any facility to prevent noise pollution occurring. NEMA sets out measures which may be regarded as reasonable. They include the following measures:

1. to investigate, assess and evaluate the impact on the environment;
2. to inform and educate employees about the environmental risks of their work and the manner in which their tasks must be performed in order to avoid causing significant pollution or degradation of the environment;
3. to cease, modify or control any act, activity or process causing the pollution or degradation;
4. to contain or prevent the movement of the pollution or degradation;
5. to eliminate any source of the pollution or degradation; and
6. to remedy the effects of the pollution or degradation.

In addition, a number of regulations have been promulgated as Regulation 982 of December 2014 (Government Notice 38282) in terms of this Act. It defines minimum information requirements for specialist reports, with Government Notice 43110 (20 March 2020) updating the minimum requirements for reporting.

3.3 THE ENVIRONMENT CONSERVATION ACT (ACT 73 OF 1989)

The Environment Conservation Act ("ECA") allows the Minister of Environmental Affairs and Tourism ("now the Ministry of Water and Environmental Affairs") to make regulations regarding noise, among other concerns. See also section **3.3.1**. While most sections of this Act has been repealed with the promulgation of the NEMA, Section 25 of this Act is still in effect.

3.3.1 National Noise Control Regulations (GN R154 of 1992)

The National Noise Control Regulations (GN R154 in *Government Gazette* No. 13717 dated 10 January 1992) were promulgated in terms of section 25 of the ECA. The NCRs were revised under Government Notice Number R. 55 of 14 January 1994 to make it obligatory for all authorities to apply the regulations.

Subsequently, in terms of Schedule 5 of the Constitution of South Africa of 1996 legislative responsibility for administering the noise control regulations was devolved to provincial and local authorities. The National Regulations will be in effect in the Northern Cape Province.

The National Noise Control Regulations (GN R154 1992) defines:

"Controlled area" as:

A piece of land designated by a local authority where, in the case of--

- c) Industrial noise in the vicinity of an industry-
 - i. the reading on an integrating impulse sound level meter, taken outdoors at the end of a period of 24 hours while such meter is in operation, exceeds 61 dBA; or
 - ii. the calculated outdoor equivalent continuous "A"-weighted sound pressure level at a height of at least 1,2 meters, but not more than 1,4 meters, above the ground for a period of 24 hours, exceeds 61 dBA;

"disturbing noise" as:

Noise level which exceeds the zone sound level or, if no zone sound level has been designated, a noise level which exceeds the ambient sound level at the same measuring point by 7 dBA or more.

"zone sound level" as:

A derived dBA value determined indirectly by means of a series of measurements, calculations or table readings and designated by a local authority for an area. *This is the same as the Rating Level as defined in SANS 10103:2008.*

In addition:

In terms of Regulation 2 -

"A local authority may -

(c): if a noise emanating from a building, premises, vehicle, recreational vehicle or street is a disturbing noise or noise nuisance, or may in the opinion of the local authority concerned be a disturbing noise or noise nuisance, instruct in writing the person causing such noise or who is responsible therefor, or the owner or occupant of such building or premises from which or from where such noise emanates or may emanate, or all such persons, to discontinue or cause to be discontinued such noise, or to take steps to lower the level of the noise to a level conforming to the requirements of these Regulations within the period stipulated in the instruction: Provided that the provisions of this paragraph shall not apply in respect of a disturbing noise or noise nuisance caused by rail vehicles or aircraft which are not used as recreational vehicles;

(d): before changes are made to existing facilities or existing uses of land or buildings, or before new buildings are erected, in writing require that noise impact assessments or tests are conducted to the satisfaction of that local authority by the owner, developer, tenant or occupant of the facilities, land or buildings or that, for the purposes of regulation 3(b) or (c), reports or certificates in relation to the noise impact to the satisfaction of that local authority are submitted by the owner, developer, tenant or occupant to the local authority on written demand";

In terms of Regulation 4 of the Noise Control Regulations:

"No person shall make, produce or cause a disturbing noise, or allow it to be made, produced or caused by any person, machine, device or apparatus or any combination thereof".

3.4 NOISE STANDARDS

There are a few South African scientific standards (SABS) relevant to noise from developments, industry and roads. They are:

- SANS 10103:2008. 'The measurement and rating of environmental noise with respect to annoyance and to speech communication'.
- SANS 10210:2004. 'Calculating and predicting road traffic noise'.
- SANS 10328:2008. 'Methods for environmental noise impact assessments'.
- SANS 10357:2004. 'The calculation of sound propagation by the Concave method'.
- SANS 10181:2003. 'The Measurement of Noise Emitted by Road Vehicles when Stationary'.
- SANS 10205:2003. 'The Measurement of Noise Emitted by Motor Vehicles in Motion'.

The relevant standards use the equivalent continuous rating level as a basis for determining what is acceptable. The levels may take single event noise into account, but single event noise by itself does not determine whether noise levels are acceptable for land use purposes. With regards to SANS 10103:2008, the recommendations are likely to inform decisions by authorities, but non-compliance with the standard will not necessarily render an activity unlawful *per se*.

It must be noted that SANS 10103:2008 does stipulate "*for industries legitimately operating in an industrial district during the entire 24 h day/night cycle, $L_{Req,d} = L_{Req,n} = 70$ dBA can be considered as typical and normal*".

The SANS 10328:2008 guideline also recommends that the procedures provided in clause 6 to clause 8 in this guideline be followed if:

- a) An application, in respect of any if the activities identified in terms of the current relevant national legislation and noise sources (defined in clauses 3.17 and 3.18), or the issues listed in clause 5, is made to the relevant authority;
- b) An application for a noise-sensitive development (in terms of clause 3.16) is made to the relevant authority;
- c) An application for a change in land use is made to the relevant authority; or
- d) And environmental noise impact investigation is requested by an applicant or any interested or affected party.

The SANS 10328:2008 guideline also sets recommended procedures and minimum requirements for:

- a) an administrative screening procedure and report;
- b) a scoping report;
- c) an environmental noise impact report; or
- d) a review of the environmental investigation report.

3.5 INTERNATIONAL GUIDELINES

While a number of international guidelines and standards exists, those selected below are used by numerous countries for environmental noise management. **It should be noted that these guidelines remain in this report only for reference purpose.**

3.5.1 Night Noise Guidelines for Europe (WHO, 2009)

Refining previous Community Noise Guidelines issued in 1999, and incorporating more recent research, the World Health Organization has released a comprehensive report on the health effects of night time noise, along with new (non-mandatory) guidelines for use in

Europe. Rather than a maximum of 30 dB inside at night (which equals 45-50 dB max outside), the WHO now recommends a maximum year-round outside night-time noise average of 40 db to avoid sleep disturbance and its related health effects.

3.5.2 Guidelines for Community Noise (WHO, 1999)

The World Health Organization’s (WHO) document on the *Guidelines for Community Noise* is the outcome of the WHO expert task force meeting held in London, United Kingdom, in April 1999. It is based on the document entitled “Community Noise” that was prepared for the World Health Organization and published in 1995 by the Stockholm University and Karolinska Institute.

The scope of WHO's effort to derive guidelines for community noise is to consolidate actual scientific knowledge on the health impacts of community noise and to provide guidance to environmental health authorities and professionals trying to protect people from the harmful effects of noise in non-industrial environments

3.5.3 IFC: General EHS Guidelines – Environmental Noise Management

These guidelines are applicable to noise created beyond the property boundaries of a development that conforms to the Equator Principles. The environmental standards of the World Bank have been integrated into the social policies of the IFC since April 2007 as the International Finance Corporation Environmental, Health and Safety (EHS) Guidelines.

It sets noise level guidelines (see **Table 3-1**) and highlights the certain monitoring requirements pre- and post-development. It adds another criterion in that the existing background ambient noise level should not rise by more than 3 dBA. This criterion will effectively sterilize large areas of any development. Therefore, it is EARES’s opinion that this criterion was introduced to address cases where the existing ambient noise level is already at, or in excess of the recommended limits.

Table 3-1: IFC Table .7.1-Noise Level Guidelines

Receptor type	One hour L_{Aeq} (dBA)	
	Daytime 07:00 - 22:00	Night-time 22:00 – 07:00
Residential; institutional; educational	55	45
Industrial; commercial	70	70

The document uses the $L_{Aeq,1hr}$ noise descriptors to define noise levels. It does not determine the detection period, but refers to the IEC standards, which requires the fast detector setting on the Sound Level Meter during measurements in Europe.

4 ASSUMPTIONS AND LIMITATIONS

4.1 AMBIENT SOUND LEVELS

- Ambient sound levels are the cumulative effects of innumerable sounds generated at various instances both far and near. High measurements may not necessarily mean that noise levels in the area are high. Similarly, a low sound level measurement will not necessarily mean that the area is always quiet, as sound levels will vary over seasons, time of the day, faunal characteristics, vegetation in the area and meteorological conditions (especially wind). This is excluding the potential effect of sounds from anthropogenic origin. It is impossible to quantify and identify the numerous sources that influenced one 10-minute measurement using the reading result at the end of the measurement. Therefore trying to define ambient sound levels using the result of one 10-minute measurement will be very inaccurate (very low confidence level in the results) for the reasons mentioned above. The more measurements that can be collected at a location the higher the confidence levels in the ambient sound level determined. The more complex the sound environment, the longer the required measurement. It is assumed that the measurement locations represent other residential dwellings in the area (similar environment), yet, in practice this can be highly erroneous as there are numerous factors that can impact on ambient sound levels, including;
 - the distance to closest trees, number and type of trees as well as the height of trees;
 - available habitat and food for birds and other animals;
 - distance to residential dwelling, type of equipment used at dwelling (compressors, air-cons);
 - general maintenance condition of house (especially during windy conditions); and
 - number and type of animals kept in the vicinity of the measurement locations.
- Determination of existing road traffic and other noise sources of significance are important (traffic counts etc.) – when close to any busy or significant roads. Traffic however is highly dependent on the time of day as well as general agricultural activities taking place during the site investigation. Traffic noise is a significant noise source, especially in urban areas and could be an important source of noise during busy periods.
- Ambient sound levels are depended not only on time of day and meteorological conditions, but also change due to seasonal differences. Ambient sound levels are generally higher in summer months when faunal activity is higher and lower during

the winter due to reduced faunal activity. Winter months also coincide with lower temperatures and very stable atmospheric conditions, ideal conditions for propagation of noise. Many faunal species are more active during warmer periods than colder periods. Certain cicada species can generate noise levels up to 120 dB for mating or distress purposes, sometimes singing in synchronisation magnifying noise levels they produce from their tymbals¹;

- Ambient sound levels recorded near rivers, streams, wetlands, trees and bushy areas can be high. This is due to faunal activity which can dominate the sound levels around the measurement location. This generally is still considered naturally quiet and understood and accepted as features of the natural soundscape, and in various cases sought after and pleasing;
- Considering more than one sound descriptor or equivalent can improve an acoustical assessment. Parameters such as L_{AMin} , L_{AIeq} , L_{AFeq} , L_{Ceq} , L_{AMax} , L_{A10} , L_{A90} and spectral analysis forms part of the many variables that can be considered; and
- As an area develops, the increase of people will result in increased sounds. These are generally a combination of traffic noise, voices, animals and equipment (incl. TVs and radios). The result is that ambient sound levels will increase as an area matures.
- Ambient sound levels are generally linked to the developmental nature of an area, with ambient sound levels changing much faster in urban environments than in highly rural areas. Ambient sound levels therefore should be measured more frequently in urban environments. With the project located in the Karoo where residential and urban development is minimal, ambient sound levels due to anthropogenic activities change very slow, if ever and data collected in 2012 would still be valid for this project.

4.2 ADEQUACY OF UNDERLYING ASSUMPTIONS

- Noise experienced at a certain location is the cumulative result of innumerable sounds emitted and generated both far and close, each in a different time domain, each having a different spectral character at a different sound level. Each of these sounds are also impacted differently by surrounding vegetation, structures and meteorological conditions that result in a total cumulative noise level represented by a few numbers on a sound level meter.

¹ Clyne, D. "Cicadas: Sound of the Australian Summer, *Australian Geographic*" Oct/Dec Vol 56. 1999.

- It is not the purpose of noise modelling to accurately determine a likely noise level at a certain receptor, but to calculate a noise rating level that is used to identify potential issues of concern.

4.3 UNCERTAINTIES OF INFORMATION PROVIDED

The developer has not identified a potential supplier for the proposed BESS and the potential sound power emission levels of the BESS is not defined. However, such systems do not have high sound power emission levels and the site is therefore treated as a potential light-industrial site.

5 METHODOLOGY: SCREENING QUESTIONNAIRE

As the exact noise emission of the propose facility is unknown, the potential noise impact would be screened using the guideline distances as proposed by SANS 10328:2008. This evaluation would be relevant for both the construction and operational phases.

Table 5-1: Questions for Noise Screening (SANS 10328:2008)

Question	Answer	Comment
Does the planned linear source (arterial road, planned arterial road reserve, or a main line railway line) at any position along the route pass within 1 000 m from an area which is developed or zoned for residential purposes?	No	Not relevant
Does the planned linear source (suburban road, planned suburban road reserve where only two lanes of traffic will be present at an average speed limit not exceeding 60 km/h, or a suburban electric traction railway line) at any position along the route pass within 500 m from an area which is developed or zoned for residential purposes?	No	Not relevant
Does the planned development of a residential area or a piece of land zoned for residential purposes fall within 1 000 m from a planned linear source (arterial road, planned arterial road reserve, or a main line railway line)?	No	Not relevant
Does the planned development of a residential area or a piece of land zoned for residential purposes fall within 500 m from a planned linear source (suburban road, planned suburban road reserve where only two lanes of traffic will be present at an average speed limit not exceeding 60 km/h, or a suburban electric traction railway line)?	No	Not relevant
Does a planned industrial development or a building housing a plant fall within a distance of 1 000 m from an already developed residential area or land zoned for residential purposes?	No	Not relevant
Does a piece of land to be developed for residential purposes or land to be zoned for residential purposes fall within 1 000 m from an already developed industrial area or a building housing plant?	No	Not relevant
Does planned light industrial development or a building(s) housing workshops fall within a distance of 500 m from an already developed residential area or land zoned for residential purposes?	No	Not relevant
Does a piece of land to be developed for residential purposes or land to be zoned for residential purposes fall within 500 m from an already developed light industrial development or a building(s) housing workshops?	No	Not relevant

Question	Answer	Comment
Does a piece of land to be developed for residential purposes or land to be zoned for residential purposes fall within 2 000 m from an existing wind generator farm?	<i>No</i>	<i>Not relevant</i>
Does a piece of land to be developed as a wind generator farm fall within 2 000 m from a piece of land to be developed for residential purposes or land to be zoned for residential purposes?	<i>No</i>	<i>Not relevant</i>
Does a piece of land to be developed for residential purposes or land to be zoned for residential purposes fall within 2 000 m from a low frequency source (e.g. low speed ventilation fans or low speed diesel engines)?	<i>No</i>	<i>Not relevant</i>
Does an activity containing a low frequency source (e.g. low speed ventilation fans or low speed diesel engines) to be developed fall within 2 000 m from a piece of land to be developed for residential purposes or land use to be zoned for residential purposes?	<i>No</i>	<i>Not relevant</i>
Will the planned repaving of a suburban street be provided with normal, non-sound absorptive bitumen or cement concrete paving?	<i>No</i>	<i>Not relevant</i>
Where an aircraft landing strip, heliport, hoverport or airport is planned, or is to be altered, will this planned activity be such that the calculated appropriate limit noise contour for the full planned use of the activity fall inside the boundaries of any residential area or any piece of land zoned for residential purposes?	<i>No</i>	<i>Not relevant</i>
Where a residential area is planned or a piece of land is to be zoned for residential purposes, will the evaluated appropriate limit noise contour for the full planned use of an aircraft landing strip, heliport, hoverport or airport fall inside the boundaries of the residential area or the piece of land zoned for residential purposes?	<i>No</i>	<i>Not relevant</i>

6 CONCLUSIONS AND RECOMMENDATIONS

South Africa Mainstream Renewable Power (Pty) Ltd proposes to include a BESS at their Mierdam PV plant to store energy for use at a later time (or date) using electro-chemical solutions. The BESS will work in combination with the authorised Mierdam PV plant to assist with the balancing of electricity at night or low-light conditions.

This report determines, using administrative means, whether the proposed development could have any significant acoustical implications considering a questionnaire as proposed by SANS 10328:2008. As all the questions are negative, it is unlikely that the planned development will present a noise disturbance. As recommended by SANS 10328:2008, a scoping investigation and an environmental noise impact investigation will not be required.

Considering the location where the potential BESS is proposed, the proposed system would be further than 500 m from any potential NSD, with the closest NSD further than 2 km away.

It is therefore the opinion of the author that there exists an insignificant potential for a noise impact and that no further Scoping or other acoustical studies would be required for the proposed BESS. No specific mitigation measures regarding noise or additional noise measurements are recommended. No additional conditions regarding noise are recommended for inclusion in the EMPr.

It is therefore recommended that the Mierdam BESS project be approved from a noise perspective.

7 REFERENCES

In this report reference was made to the following documentation:

1. Da Cruz, P. 2012: "*Proposed Development of a Wind & Solar Power Generation Plant near Copperton, NC – Visual Impact Assessment Report, EIA Phase*". SiVEST Environmental Division, Johannesburg
2. SANS 10103:2008. "*The measurement and rating of environmental noise with respect to annoyance and to speech communication*".
3. SANS 10210:2004. "*Calculating and predicting road traffic noise*".
4. SANS 10328:2008. "*Methods for environmental noise impact assessments*".
5. SANS 10357:2004. "*The calculation of sound propagation by the Concave method*".

APPENDIX A

Curriculum Vitae

The Author started his career in the mining industry as a bursar Learner Official (JCI, Randfontein), working in the mining industry, doing various mining related courses (Rock Mechanics, Surveying, Sampling, Safety and Health [Ventilation, noise, illumination etc] and Metallurgy. He did work in both underground (Coal, Gold and Platinum) as well as opencast (Coal) for 4 years. He changed course from Mining Engineering to Chemical Engineering after his second year of his studies at the University of Pretoria.

After graduation he worked as a Water Pollution Control Officer at the Department of Water Affairs and Forestry for two years (first year seconded from Wates, Meiring and Barnard), where duties included the perusal (evaluation, commenting and recommendation) of various regulatory required documents (such as EMPR's, Water Use License Applications and EIA's), auditing of license conditions as well as the compilation of Technical Documents.

Since leaving the Department of Water Affairs, Morné has been in private consulting for the last 20 years, managing various projects for the mining and industrial sector, private developers, business, other environmental consulting firms as well as the Department of Water Affairs. During that period he has been involved in various projects, either as specialist, consultant, trainer or project manager, successfully completing these projects within budget and timeframe. During that period he gradually moved towards environmental acoustics, focusing on this field exclusively since 2007.

He has been interested in acoustics as from school days, doing projects mainly related to loudspeaker design. Interest in the matter brought him into the field of Environmental Noise Measurement, Prediction and Control as well as blasting impacts. Since 2007 he has completed more than 400 Environmental Noise Impact Assessments and Noise Monitoring Reports as well as various acoustic consulting services, including amongst others:

**Wind Energy
Facilities**

Full Environmental Noise Impact Assessments for - Bannf (Vidigenix), iNca Gouda (Aurecon SA), Isivunguvungu (Aurecon), De Aar (Aurecon), Kokerboom 1 (Aurecon), Kokerboom 2 (Aurecon), Kokerboom 3 (Aurecon), Kangnas (Aurecon), Plateau East and West (Aurecon), Wolf (Aurecon), Outeniqwa (Aurecon), Umsinde Emoyeni (ARCUS), Komsberg (ARCUS), Karee (ARCUS), Kolkies (ARCUS), San Kraal (ARCUS), Phezukomoya (ARCUS), Canyon Springs (Canyon Springs), Perdekraal (ERM), Scarlet Ibis (CESNET), Albany (CESNET), Sutherland (CSIR), Kap Vley (CSIR), Kuruman (CSIR), Rietrug (CSIR), Sutherland 2 (CSIR), Perdekraal (ERM), Teekloof (Mainstream), Eskom Aberdene (SE), Dorper (SE), Spreeukloof (SE), Loperberg (SE), Penhoek Pass (SE), Amakhala Emoyeni (SE), Zen (Savannah Environmental – SE), Goereesoe (SE), Springfontein (SE), Garob (SE), Project Blue (SE), ESKOM Kleinzee (SE), Namas (SE), Zonnequa (SE), Walker Bay (SE), Oyster Bay (SE), Hidden Valley (SE), Deep River (SE), Tsitsikamma (SE), AB (SE), West Coast One (SE), Hopefield II (SE), Namakwa Sands (SE), VentuSA Gouda (SE), Dorper (SE), Klipheuwel (SE), INCA Swellendam (SE), Cookhouse (SE), Iziduli (SE), Msenge (SE), Cookhouse II (SE), Rhebokfontein (SE), Suurplaat (SE), Karoo Renewables (SE), Koningaas (SE), Spitskop (SE), Castle (SE), Khai Ma (SE), Poortjies (SE), Korana (SE), IE Moorreesburg (SE), Gunstfontein (SE), Boulders (SE), Vredenburg (Terralmanzi), Loeriesfontein (SiVEST), Rhenosterberg (SiVEST), Noupoot (SiVEST), Prieska (SiVEST), Dwarsrug (SiVEST),

	<p><i>Graskoppies (SiVEST), Philco (SiVEST), Hartebeest Leegete (SiVEST), Ithemba (SiVEST), IXha Boom (SiVEST), Spitskop West (Terramanzi), Haga Haga (Terramanzi), Vredenburg (Terramanzi), Msenge Emoyeni (Windlab), Wobben (IWP), Trakas (SiVest), Beaufort West (SiVest)</i></p>
<p>Mining and Industry</p>	<p><i>Full Environmental Noise Impact Assessments for – Delft Sand (AGES), BECSA – Middelburg (Golder Associates), Kromkrans Colliery (Geovicon Environmental), SASOL Borrow Pits Project (JMA Consulting), Lesego Platinum (AGES), Tweefontein Colliery (Cleanstream Environmental), Evraz Vametco Mine and Plant (JMA), Goedehoop Colliery (Geovicon), Hacra Project (Prescali Environmental), Der Brochen Platinum Project (J9 Environment), Brandbach Sand (AGES), Verkeerdepan Extension (CleanStream Environmental), Dwaalboom Limestone (AGES), Jagdlust Chrome (MENCO), WPB Coal (MENCO), Landau Expansion (CleanStream Environmental), Otjikoto Gold (AurexGold), Klipfontein Colliery (MENCO), Imbabala Coal (MENCO), ATCOM East Expansion (Jones and Wagner), IPP Waterberg Power Station (SE), Kangra Coal (ERM), Schoongesicht (CleanStream Environmental), EastPlats (CleanStream Environmental), Chapudi Coal (Jacana Environmental), Generaal Coal (JE), Mopane Coal (JE), Glencore Boshhoek Chrome (JMA), Langpan Chrome (PE), Vlakpoort Chrome (PE), Sekoko Coal (SE), Frankford Power (REMIG), Strahrae Coal (Ferret Mining), Transalloys Power Station (Savannah), Pan Palladium Smelter, Iron and PGM Complex (Prescali Environmental), Fumani Gold (AGES), Leiden Coal (EIMS), Colenso Coal and Power Station (SiVEST/EcoPartners), Klippoortjie Coal (Gudani), Rietspruit Crushers (MENCO), Assen Iron (Tshikovha), Transalloys (SE), ESKOM Ankerlig (SE), Nooitgedacht Titano Project (EcoPartners), Algoa Oil Well (EIMS), Spitskop Chrome (EMAssistance), Vlakfontein South (Gudani), Leandra Coal (Jacana), Grazvalley and Zoetveld (Prescali), Tjate Chrome (Prescali), Langpan Chromite (Prescali), Vereeniging Recycling (Pro Roof), Meyerton Recycling (Pro Roof), Hammanskraal Billeting Plant 1 and 2 (Unica), Development of Altona Furnace, Limpopo Province (Prescali Environmental), Haakdoorndrift Opencast at Amandelbult Platinum (Aurecon), Landau Dragline relocation (Aurecon), Stuart Coal Opencast (CleanStream Environmental), Tetra4 Gas Field Development (EIMS), Kao Diamonds – Tipping Village Relocation (EIMS), Kao Diamonds – West Valley Tailings Deposit (EIMS), Upington Special Economic Zone (EOH), Arcellor Mittal CCGT Project near Saldanha (ERM), Malawi Sugar Mill Project (ERM), Proposed Mooifontein Colliery (Geovicon Environmental), Goedehoop North Residue Deposit Expansion (Geovicon Environmental), Mutsho 600MW Coal-Fired Power Plant (Jacana Environmental), Tshivhaso Coal-Fired Power Plant (Savannah Environmental), Doornhoek Fluorspar Project (Exigo), Royal Sheba Project (Cabanga Environmental), Rietkol Silica (Jacana), Gruisfontein Colliery (Jacana), Lehlabile Colliery (Jaco-K Consulting), Bloemendal Colliery (Enviro-Insight), Rondevly Colliery (REC), Welgedacht Colliery (REC), Kalabasfontein Extension (EIMS), Waltloo Power Generation Project (EScience), Buffalo Colliery (Marang), Balgarthen Colliery (Rayten), Kusipongo Block C (Rayten), Zandheuvel (Exigo), NamPower Walvis Bay (GPT), Eloff Phase 3 (EIMS), Dunbar (Enviro-Insight), Smokey Hills (Prescali), Bierspruit (Aurecon)</i></p>
<p>Road and Railway</p>	<p><i>K220 Road Extension (Urbansmart), Boskop Road (MTO), Sekoko Mining (AGES), Davel-Swaziland-Richards Bay Rail Link (Aurecon), Moloto Transport Corridor Status Quo Report and Pre-Feasibility (SiVEST), Postmasburg Housing Development (SE), Tshwane Rapid Transport Project, Phase 1 and 2 (NRM Consulting/City of Tshwane), Transnet Apies-river Bridge Upgrade (Transnet), Gautrain Due-diligence (SiVest), N2 Piet Retief (SANRAL), Atterbury Extension, CoT (Bokomoso Environmental), Riverfarm Development (Terramanzi), Conakry to Kindia Toll Road (Rayten)</i></p>
<p>Airport</p>	<p><i>Oudtshoorn Noise Monitoring (AGES), Sandton Heliport (Alpine Aviation), Tete Airport Scoping (Aurecon)</i></p>
<p>Noise monitoring and Audit Reports</p>	<p><i>Peerboom Colliery (EcoPartners), Thabametsi (Digby Wells), Doxa Deo (Doxa Deo), Harties Dredging (Rand Water), Xstrata Coal – Witbank Regional (Xstrata), Sephaku Delmas (AGES), Amakhala Emoyeni WEF (Windlab Developments), Oyster Bay WEF (Renewable Energy Systems), Tsitsikamma WEF Ambient Sound Level study (Cennergi and SE), Hopefield WEF (Umoya), Wesley WEF (Innowind), Ncora WEF (Innowind), Boschmanspoort (Jones and Wagner), Nqamakwe WEF (Innowind), Hopefield WEF Noise Analysis (Umoya), Dassiesfontein WEF Noise Analysis (BioTherm), Transnet Noise Analysis (Aurecon), Jeffries Bay Wind Farm (Globeleq), Sephaku Aganang (Exigo), Sephaku Delmas (Exigo), Beira Audit (BP/GPT), Nacala Audit (BP/GPT), NATREF (Nemai), Rappa Resources (Rayten), Measurement Report for Sephaku Delmas (Ages), Measurement Report for Sephaku Aganang (Ages), Bank of Botswana measurements (Linnospace), Skukuza Noise Measurements (Concor), Development noise measurement protocol for Mamba Cement (Exigo), Measurement Report for Mamba Cement (Exigo), Measurement Report for Nokeng Fluorspar (Exigo), Tsitsikamma Community Wind Farm Pre-operation sound measurements (Cennergi), Waainek WEF Operational Noise Measurements (Innowind), Sedibeng Brewery Noise Measurements (MENCO), Tsitsikamma Community Wind Farm</i></p>

	<p><i>Operational noise measurements (Cennergi), Noupoot Wind Farm Operational noise measurements (Mainstream), Twisdraai Colliery (Lefatshe Minerals), SASOL Prospecting (Lefatshe Minerals), South32 Klipspruit (Rayten), Sibanye Stillwater Kroondal (Rayten), Rooiberg Asphalt (Rooiberg Asphalt), SASOL Shondoni (Lefatshe), SASOL Twisdraai (Lefatshe), Anglo Mototolo (Exigo), Heineken Inyaniga (AECOM), Glencore Izimbiwa (Cleanstream) Glencore Impunzi (Cleanstream), Black Chrome Mine (Prescali) Sibanye Stillwater Ezulwini (Aurecon), Sibanye Stillwater Beatrix (Aurecon), Bank of Botswana (Linspace), Lakeside (Linspace), Skukuza (SiVest), Rietvlei Colliery (Jaco-K Consulting)</i></p>
<p>Small Noise Impact Assessments</p>	<p><i>TCTA AMD Project Baseline (AECOM), NATREF (Nemai Consulting), Christian Life Church (UrbanSmart), Kosmosdale (UrbanSmart), Louwlandia K220 (UrbanSmart), Richards Bay Port Expansion (AECOM), Babalegi Steel Recycling (AGES), Safika Slag Milling Plant (AGES), Arcelor Mittal WEF (Aurecon), RVM Hydroplant (Aurecon), Grootvlei PS Oil Storage (SiVEST), Rhenosterberg WEF, (SiVEST), Concerto Estate (BPTrust), Ekuseni Youth Centre (MENCO), Kranskop Industrial Park (Cape South Developments), Pretoria Central Mosque (Noman Shaikh), Soshanguve Development (Maluleke Investments), Seshego-D Waste Disposal (Enviroexcellence), Zambesi Safari Equipment (Owner), Noise Annoyance Assessment due to the Operation of the Gautrain (Thornhill and Lakeside Residential Estate), Uppington Solar (SE), Ilangaletu Solar (SE), Pofadder Solar (SE), Flagging Trees WEF (SE), Uyekraal WEF (SE), Ruuki Power Station (SE), Richards Bay Port Expansion 2 (AECOM), Babalegi Steel Recycling (AGES), Safika Ladium (AGES), Safika Cement Isando (AGES), RareCo (SE), Struisbaai WEF (SE), Perdekraal WEF (ERM), Kotula Tsatsi Energy (SE), Olievenhoutbosch Township (Nali), , HDMS Project (AECOM), Quarry extensions near Ermelo (Rietspruit Crushers), Proposed uMzimkhulu Landfill in KZN (nZingwe Consultancy), Linksfield Residential Development (Bokomoso Environmental), Rooihuiskraal Ext. Residential Development, CoT (Plandev Town Planners), Floating Power Plant and LNG Import Facility, Richards Bay (ERM), Floating Power Plant project, Saldanha (ERM), Vopak Growth 4 project (ERM), Elandsport Ext 3 Residential Development (Gibb Engineering), Tiegerpoort Wedding Venue (Henwood Environmental), Monavoni Development (Marindzini), Rezoning of Portion 1 (Primo Properties), Tswaing Mega City (Makole), Mabopane Church (EP Architects), ERGO Soweto Cluster (Kongiwe), Fabio Chains (Marang), GIDZ JMP (Marang), Temple Complex (KWP Create), Germiston Metals (Dorean), Sebenza Metals (Dorean)</i></p>
<p>Project reviews and amendment reports</p>	<p><i>Loperberg (Savannah), Dorper (Savannah), Penhoek Pass (Savannah), Oyster Bay (RES), Tsitsikamma Community Wind Farm Noise Simulation project (Cennergi), Amakhala Emoyeni (Windlab), Spreukloof (Savannah), Spinning Head (SE), Kangra Coal (ERM), West Coast One (Moyeng Energy), Rheboksfontein (Moyeng Energy), De Aar WEF (Holland), Quarterly Measurement Reports – Dangote Delmas (Exigo), Quarterly Measurement Reports – Dangote Lichtenburg (Exigo), Quarterly Measurement Reports – Mamba Cement (Exigo), Quarterly Measurement Reports – Dangote Delmas (Exigo) Quarterly Measurement Reports – Nokeng Fluorspar (Exigo), Proton Energy Limited Nigeria (ERM), Hartebeest WEF Update (Moorreesburg) (Savannah Environmental), Modderfontein WEF Opinion (Terramanzi), IPD Vredenburg WEF (IPD Power Vredenburg), Paul Puts WEF (ARCUS), Juno WEF (ARCUS), etc.</i></p>

Contact details for the Author are:

Author: Morné de Jager
 Company: Enviro-Acoustic Research cc
 Website: <http://www.eares.co.za>
 Email: morne@eares.co.za
 Office number: 012 004 0362
 Mobile number: 082 565 4059

APPENDIX B

Glossary of Terms

GLOSSARY OF ACOUSTIC TERMS, DEFINITIONS AND GENERAL INFORMATION

<i>1/3-Octave Band</i>	A filter with a bandwidth of one-third of an octave representing four semitones, or notes on the musical scale. This relationship is applied to both the width of the band, and the centre frequency of the band. See also definition of octave band.
<i>A – Weighting</i>	An internationally standardised frequency weighting that approximates the frequency response of the human ear and gives an objective reading that therefore agrees with the subjective human response to that sound.
<i>Air Absorption</i>	The phenomena of attenuation of sound waves with distance propagated in air, due to dissipative interaction within the gas molecules.
<i>Alternatives</i>	A possible course of action, in place of another, that would meet the same purpose and need (of proposal). Alternatives can refer to any of the following, but are not limited hereto: alternative sites for development, alternative site layouts, alternative designs, alternative processes and materials. In Integrated Environmental Management the so-called “no go” alternative refers to the option of not allowing the development and may also require investigation in certain circumstances.
<i>Ambient</i>	The conditions surrounding an organism or area.
<i>Ambient Noise</i>	The all-encompassing sound at a point being composed of sounds from many sources both near and far. It includes the noise from the noise source under investigation.
<i>Ambient Sound</i>	The all-encompassing sound at a point being composite of sounds from near and far.
<i>Ambient Sound Level</i>	Means the reading on an integrating impulse sound level meter taken at a measuring point in the absence of any alleged disturbing noise at the end of a total period of at least 10 minutes after such a meter was put into operation. In this report the term Background Ambient Sound Level will be used.
<i>Amplitude Modulated Sound</i>	A sound that noticeably fluctuates in loudness over time.
<i>Applicant</i>	Any person who applies for an authorisation to undertake a listed activity or to cause such activity in terms of the relevant environmental legislation.
<i>Assessment</i>	The process of collecting, organising, analysing, interpreting and communicating data that is relevant to some decision.
<i>Attenuation</i>	Term used to indicate reduction of noise or vibration, by whatever method necessary, usually expressed in decibels.
<i>Audible frequency Range</i>	Generally assumed to be the range from about 20 Hz to 20,000 Hz, the range of frequencies that our ears perceive as sound.
<i>Ambient Sound Level</i>	The level of the ambient sound indicated on a sound level meter in the absence of the sound under investigation (e.g. sound from a particular noise source or sound generated for test purposes). Ambient sound level as per Noise Control Regulations.
<i>Broadband Noise</i>	Spectrum consisting of a large number of frequency components, none of which is individually dominant.
<i>C-Weighting</i>	This is an international standard filter, which can be applied to a pressure signal or to a <i>SPL</i> or <i>PWL</i> spectrum, and which is essentially a pass-band filter in the frequency range of approximately 63 to 4000 Hz. This filter provides a more constant, flatter, frequency response, providing significantly less adjustment than the A-scale filter for frequencies less than 1000 Hz.
<i>Controlled area (as per National Noise Control Regulations)</i>	a piece of land designated by a local authority where, in the case of- (a) road transport noise in the vicinity of a road- (i) the reading on an integrating impulse sound level meter, taken outdoors at the end of a period extending from 06:00 to 24:00 while such meter is in operation, exceeds 65 dBA; or

	<p>(ii) the equivalent continuous "A"-weighted sound pressure level at a height of at least 1,2 metres, but not more than 1,4 metres, above the ground for a period extending from 06:00 to 24:00 as calculated in accordance with SABS 0210-1986, titled: "Code of Practice for calculating and predicting road traffic noise", published under Government Notice No. 358 of 20 February 1987, and projected for a period of 15 years following the date on which the local authority has made such designation, exceeds 65 dBA;</p> <p>(b) aircraft noise in the vicinity of an airfield, the calculated noisiness index, projected for a period of 15 years following the date on which the local authority has made such designation, exceeds 65 dBA; or</p> <p>(c) industrial noise in the vicinity of an industry-</p> <p>(i) the reading on an integrating impulse sound level meter, taken outdoors at the end of a period of 24 hours while such meter is in operation, exceeds 61 dBA; or</p> <p>(ii) the calculated outdoor equivalent continuous "A"-weighted sound pressure level at a height of at least 1,2 metres, but not more than 1,4 metres, above the ground for a period of 24 hours, exceeds 61 dBA;</p>
<i>dB(A)</i>	Sound Pressure Level in decibel that has been A-weighted, or filtered, to match the response of the human ear.
<i>Decibel (db)</i>	A logarithmic scale for sound corresponding to a multiple of 10 of the threshold of hearing. Decibels for sound levels in air are referenced to an atmospheric pressure of 20 µ Pa.
<i>Diffraction</i>	The process whereby an acoustic wave is disturbed and its energy redistributed in space as a result of an obstacle in its path, Reflection and refraction are special cases of diffraction.
<i>Direction of Propagation</i>	The direction of flow of energy associated with a wave.
<i>Disturbing noise</i>	Means a noise level that exceeds the zone sound level or, if no zone sound level has been designated, a noise level that exceeds the ambient sound level at the same measuring point by 7 dBA or more.
<i>Environment</i>	The external circumstances, conditions and objects that affect the existence and development of an individual, organism or group; these circumstances include biophysical, social, economic, historical, cultural and political aspects.
<i>Environmental Control Officer</i>	Independent Officer employed by the applicant to ensure the implementation of the Environmental Management Plan (EMP) and manages any further environmental issues that may arise.
<i>Environmental impact</i>	A change resulting from the effect of an activity on the environment, whether desirable or undesirable. Impacts may be the direct consequence of an organisation's activities or may be indirectly caused by them.
<i>Environmental Impact Assessment</i>	An Environmental Impact Assessment (EIA) refers to the process of identifying, predicting and assessing the potential positive and negative social, economic and biophysical impacts of any proposed project, plan, programme or policy that requires authorisation of permission by law and that may significantly affect the environment. The EIA includes an evaluation of alternatives, as well as recommendations for appropriate mitigation measures for minimising or avoiding negative impacts, measures for enhancing the positive aspects of the proposal, and environmental management and monitoring measures.
<i>Environmental issue</i>	A concern felt by one or more parties about some existing, potential or perceived environmental impact.
<i>Equivalent continuous A-weighted sound exposure level ($L_{Aeq,T}$)</i>	The value of the average A-weighted sound pressure level measured continuously within a reference time interval T , which have the same mean-square sound pressure as a sound under consideration for which the level varies with time.
<i>Equivalent continuous A-weighted rating level ($L_{Req,T}$)</i>	The Equivalent continuous A-weighted sound exposure level ($L_{Aeq,T}$) to which various adjustments has been added. More commonly used as ($L_{Req,d}$) over a time interval 06:00 – 22:00 ($T=16$ hours) and ($L_{Req,n}$) over a time interval of 22:00 – 06:00 ($T=8$ hours). It is a calculated value.

<i>F (fast) time weighting</i>	(1) Averaging detection time used in sound level meters. (2) Fast setting has a time constant of 125 milliseconds and provides a fast reacting display response allowing the user to follow and measure not too rapidly fluctuating sound.
<i>Footprint area</i>	Area to be used for the construction of the proposed development, which does not include the total study area.
<i>Free Field Condition</i>	An environment where there is no reflective surfaces.
<i>Frequency</i>	The rate of oscillation of a sound, measured in units of Hertz (Hz) or kiloHertz (kHz). One hundred Hz is a rate of one hundred times per second. The frequency of a sound is the property perceived as pitch: a low-frequency sound (such as a bass note) oscillates at a relatively slow rate, and a high-frequency sound (such as a treble note) oscillates at a relatively high rate.
<i>Green field</i>	A parcel of land not previously developed beyond that of agriculture or forestry use; virgin land. The opposite of Greenfield is Brownfield, which is a site previously developed and used by an enterprise, especially for a manufacturing or processing operation. The term Brownfield suggests that an investigation should be made to determine if environmental damage exists.
<i>G-Weighting</i>	An International Standard filter used to represent the infrasonic components of a sound spectrum.
<i>Harmonics</i>	Any of a series of musical tones for which the frequencies are integral multiples of the frequency of a fundamental tone.
<i>I (impulse) time weighting</i>	(1) Averaging detection time used in sound level meters as per South African standards and Regulations. (2) Impulse setting has a time constant of 35 milliseconds when the signal is increasing (sound pressure level rising) and a time constant of 1,500 milliseconds while the signal is decreasing.
<i>Impulsive sound</i>	A sound characterized by brief excursions of sound pressure (transient signal) that significantly exceed the ambient sound level.
<i>Infrasound</i>	Sound with a frequency content below the threshold of hearing, generally held to be about 20 Hz. Infrasonic sound with sufficiently large amplitude can be perceived, and is both heard and felt as vibration. Natural sources of infrasound are waves, thunder and wind.
<i>Integrated Development Plan</i>	A participatory planning process aimed at developing a strategic development plan to guide and inform all planning, budgeting, management and decision-making in a Local Authority, in terms of the requirements of Chapter 5 of the Municipal Systems Act, 2000 (Act 32 of 2000).
<i>Integrated Environmental Management</i>	IEM provides an integrated approach for environmental assessment, management, and decision-making and to promote sustainable development and the equitable use of resources. Principles underlying IEM provide for a democratic, participatory, holistic, sustainable, equitable and accountable approach.
<i>Interested and affected parties</i>	Individuals or groups concerned with or affected by an activity and its consequences. These include the authorities, local communities, investors, work force, consumers, environmental interest groups and the general public.
<i>Key issue</i>	An issue raised during the Scoping process that has not received an adequate response and that requires further investigation before it can be resolved.
<i>L_{A90}</i>	the sound level exceeded for the 90% of the time under consideration
<i>Listed activities</i>	Development actions that is likely to result in significant environmental impacts as identified by the delegated authority (formerly the Minister of Environmental Affairs and Tourism) in terms of Section 21 of the Environment Conservation Act.
<i>L_{AMin} and L_{AMax}</i>	Is the RMS (root mean squared) minimum or maximum level of a noise source.
<i>Loudness</i>	The attribute of an auditory sensation that describes the listener's ranking of sound in terms of its audibility.
<i>Magnitude of impact</i>	Magnitude of impact means the combination of the intensity, duration and extent of an impact occurring.
<i>Masking</i>	The raising of a listener's threshold of hearing for a given sound due to the presence of another sound.

<i>Mitigation</i>	To cause to become less harsh or hostile.
<i>Negative impact</i>	A change that reduces the quality of the environment (for example, by reducing species diversity and the reproductive capacity of the ecosystem, by damaging health, or by causing nuisance).
<i>Noise</i>	a. Sound that a listener does not wish to hear (unwanted sounds). b. Sound from sources other than the one emitting the sound it is desired to receive, measure or record. c. A class of sound of an erratic, intermittent or statistically random nature.
<i>Noise Level</i>	The term used in lieu of sound level when the sound concerned is being measured or ranked for its undesirability in the contextual circumstances.
<i>Noise-sensitive development</i>	developments that could be influenced by noise such as: a) districts (see table 2 of SANS 10103:2008) 1. rural districts, 2. suburban districts with little road traffic, 3. urban districts, 4. urban districts with some workshops, with business premises, and with main roads, 5. central business districts, and 6. industrial districts; b) educational, residential, office and health care buildings and their surroundings; c) churches and their surroundings; d) auditoriums and concert halls and their surroundings; e) recreational areas; and f) nature reserves. In this report Noise-sensitive developments is also referred to as a Potential Sensitive Receptor
<i>Octave Band</i>	A filter with a bandwidth of one octave, or twelve semi-tones on the musical scale representing a doubling of frequency.
<i>Positive impact</i>	A change that improves the quality of life of affected people or the quality of the environment.
<i>Property</i>	Any piece of land indicated on a diagram or general plan approved by the Surveyor-General intended for registration as a separate unit in terms of the Deeds Registries Act and includes an erf, a site and a farm portion as well as the buildings erected thereon
<i>Public Participation Process</i>	A process of involving the public in order to identify needs, address concerns, choose options, plan and monitor in terms of a proposed project, programme or development
<i>Reflection</i>	Redirection of sound waves.
<i>Refraction</i>	Change in direction of sound waves caused by changes in the sound wave velocity, typically when sound wave propagates in a medium of different density.
<i>Reverberant Sound</i>	The sound in an enclosure which results from repeated reflections from the boundaries.
<i>Reverberation</i>	The persistence, after emission of a sound has stopped, of a sound field within an enclosure.
<i>Significant Impact</i>	An impact can be deemed significant if consultation with the relevant authorities and other interested and affected parties, on the context and intensity of its effects, provides reasonable grounds for mitigating measures to be included in the environmental management report. The onus will be on the applicant to include the relevant authorities and other interested and affected parties in the consultation process. Present and potential future, cumulative and synergistic effects should all be taken into account.
<i>S (slow) time weighting</i>	(1) Averaging times used in sound level meters. (2) Time constant of one [1] second that gives a slower response which helps average out the display fluctuations.
<i>Sound Level</i>	The level of the frequency and time weighted sound pressure as determined by a sound level meter, i.e. A-weighted sound level.
<i>Sound Power</i>	Of a source, the total sound energy radiated per unit time.

<i>Sound Pressure Level (SPL)</i>	Of a sound, 20 times the logarithm to the base 10 of the ratio of the RMS sound pressure level to the reference sound pressure level. International values for the reference sound pressure level are 20 micropascals in air and 100 millipascals in water. SPL is reported as L_p in dB (not weighted) or in various other weightings.
<i>Soundscape</i>	Sound or a combination of sounds that forms or arises from an immersive environment. The study of soundscape is the subject of acoustic ecology. The idea of soundscape refers to both the natural acoustic environment, consisting of natural sounds, including animal vocalizations and, for instance, the sounds of weather and other natural elements; and environmental sounds created by humans, through musical composition, sound design, and other ordinary human activities including conversation, work, and sounds of mechanical origin resulting from use of industrial technology. The disruption of these acoustic environments results in noise pollution.
<i>Study area</i>	Refers to the entire study area encompassing all the alternative routes as indicated on the study area map.
<i>Sustainable Development</i>	Development that meets the needs of the present without compromising the ability of future generations to meet their own needs. It contains within it two key concepts: the concept of "needs", in particular the essential needs of the world's poor, to which overriding priority should be given; and the idea of limitations imposed by the state of technology and social organization on the environment's ability to meet present and the future needs (Brundtland Commission, 1987).
<i>Tread braked</i>	The traditional form of wheel brake consisting of a block of friction material (which could be cast iron, wood or nowadays a composition material) hung from a lever and being pressed against the wheel tread by air pressure (in the air brake) or atmospheric pressure in the case of the vacuum brake.
<i>Zone of Potential Influence</i>	The area defined as the radius about an object, or objects beyond which the noise impact will be insignificant.
<i>Zone Sound Level</i>	Means a derived dBA value determined indirectly by means of a series of measurements, calculations or table readings and designated by a local authority for an area. This is similar to the Rating Level as defined in SANS 10103:2008.

APPENDIX C

Declaration of Independence

APPENDIX D

Site Sensitivity Verification

SITE SENSITIVITY VERIFICATION (IN TERMS OF PART A OF THE ASSESSMENT PROTOCOLS PUBLISHED IN GN 320 ON 20 MARCH 2020

Part A of the Assessment Protocols (i.e. Site sensitivity verification is required where a specialist assessment is required but no specific assessment protocol has been prescribed) is applicable where the Department of Environment, Forestry and Fisheries Screening Tool has the relevant themes to verify.

In accordance with Appendix 6 of the National Environmental Management Act (Act 107 of 1998, as amended) (NEMA) Environmental Impact Assessment (EIA) Regulations of 2014, a site sensitivity verification has been undertaken in order to confirm the current land use and environmental sensitivity of the proposed project area as identified by the National Web-Based Environmental Screening Tool (Screening Tool). The details of the site sensitivity verification are noted below:

Date of Site Visit	Site was not visited by the author
Specialist Name	Morné de Jager (Noise)
Professional Registration Number (if applicable)	Not applicable, there is no registration body in South Africa that could allow professional registration for acoustic consultants.
Specialist Affiliation / Company	Enviro-Acoustic Research CC

Output from National Environmental Screening Tool

The site was initially assessed using the National Environmental Screening tool, available at, <https://screening.environment.gov.za>. The output is also presented in the following **Figure**. There are no areas with a potential high sensitivity to noise within a distance of 2 km from the project focus area.

Description on how the site sensitivity verification was undertaken

The site sensitivity was verified using:

- a) potential noise sensitive areas were identified using the online screening tool;
- b) the potential "very high" noise sensitive areas were evaluated with all potential structures assessed in terms of potential use using the latest available aerial images; and,

- c) the closest residential uses were identified considering the information contained in the original Visual Impact Assessment Report done for this project.

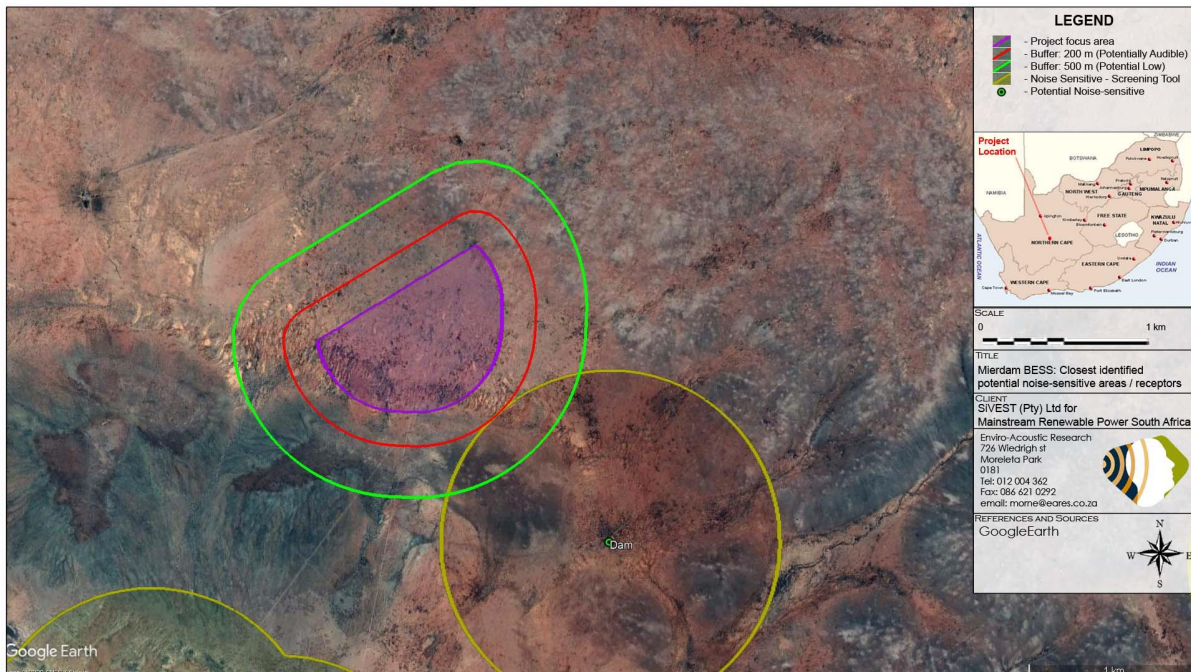


Figure D.1: Screening tool indicating potential area with a very high noise sensitivity to the south-east and south-west. Most of this area falls outside the development footprint area, and the structure relates to a dam and not a residential use.

Outcome of the Site Sensitivity Verification

Considering the distance to the closest potential noise-sensitive receptors and the low potential of a noise impact, a future site visit is not required or proposed as the site, as well as the area up to 500 m from the BESS area not being noise sensitive.



Signature
Morné de Jager
2020 – 10 - 12