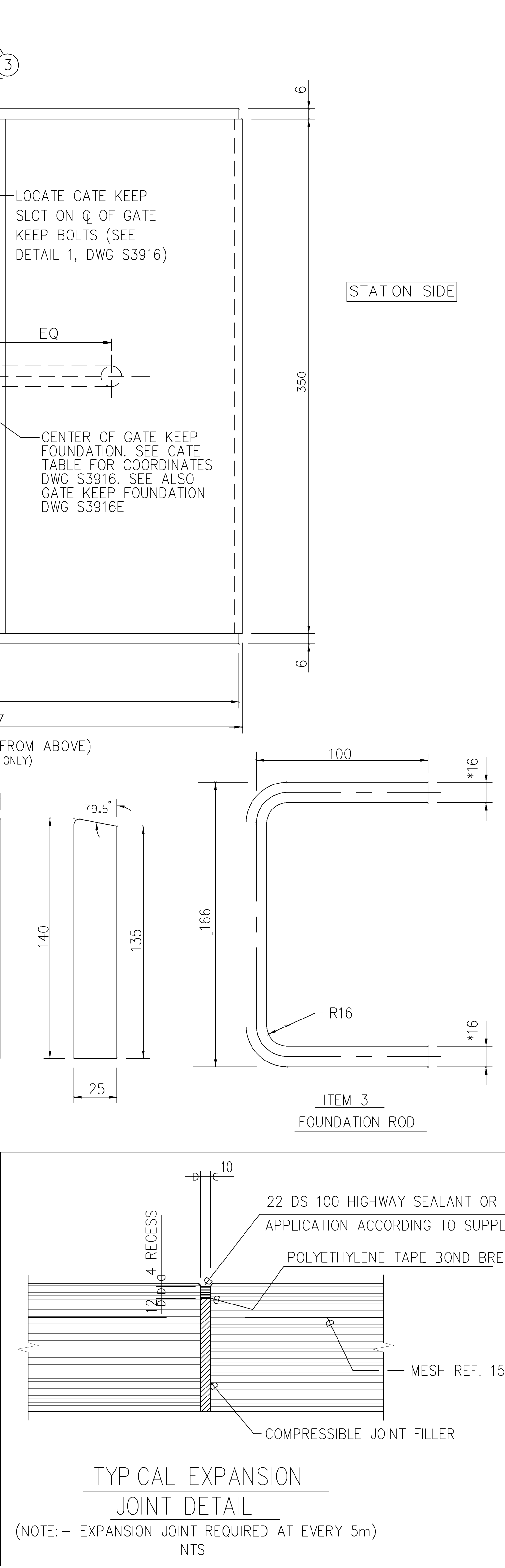
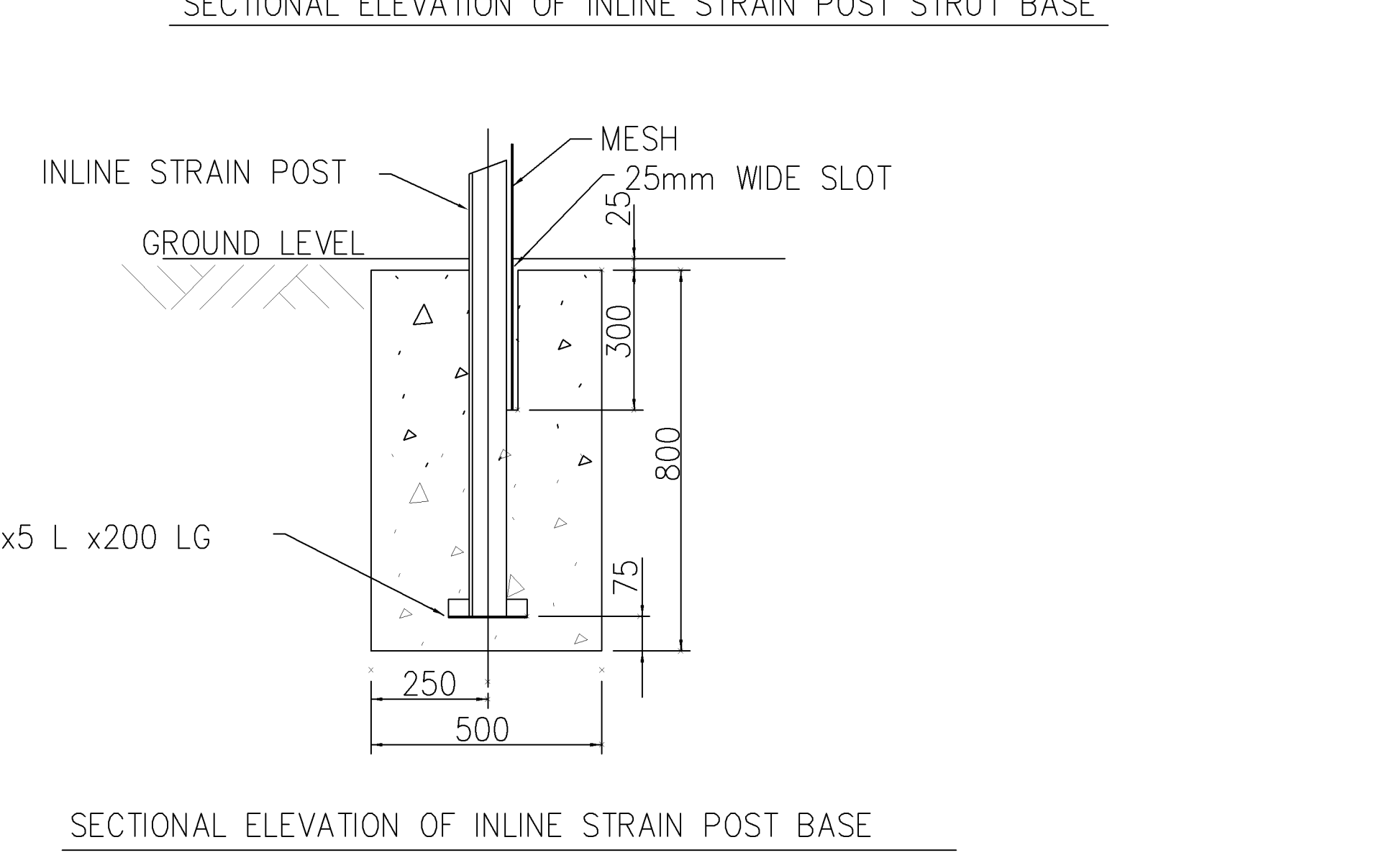
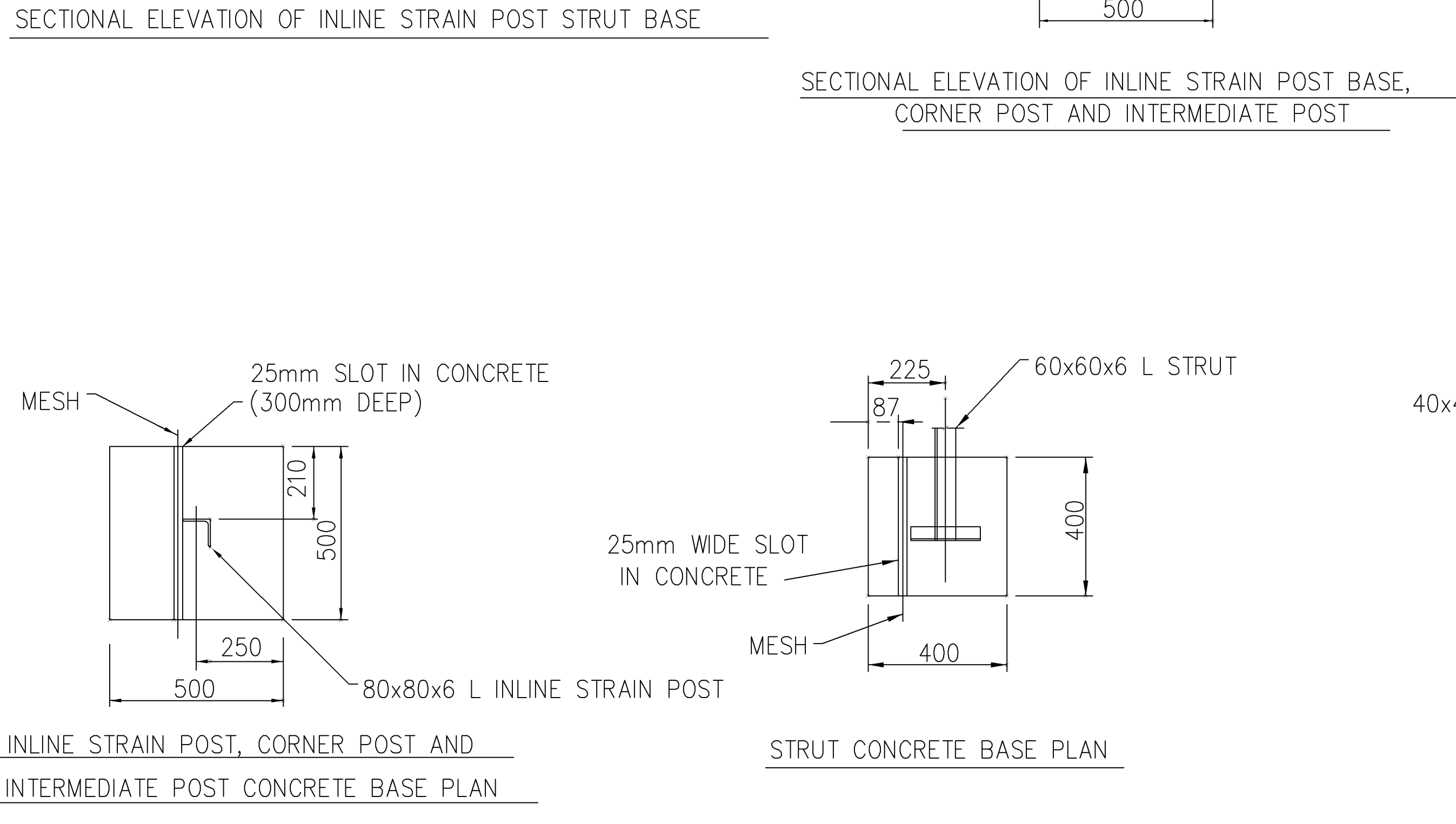
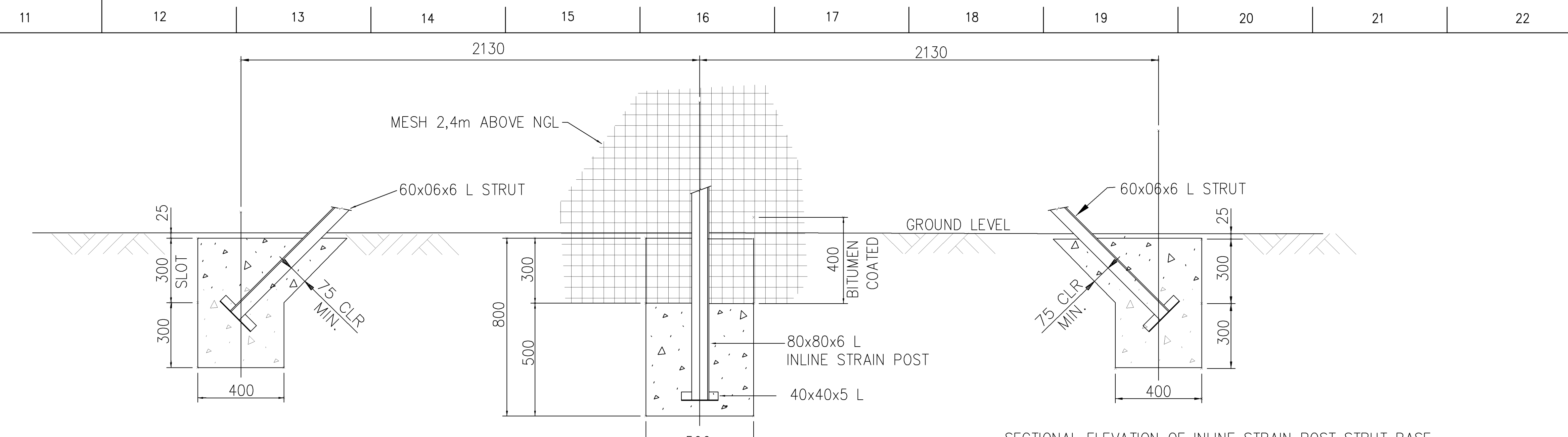


ITEM	NO OF	DESCRIPTION	MATERIAL
3	2	FOUNDATION ROD *16ø ROUND	MILD STEEL
2	2	SIDE PLATE 294X30X6 PL	MILD STEEL
1	2	TOP PLATE 350 x 140 x 25 PL	MILD STEEL

NOTE:  
 1. UNO. ALL WELDING FOR CONNECTIONS ETC. TO BE EITHER 5mm CONTINUOUS FILLET OR FULL PENETRATION GROUND FLUSH AS APPLIES AND CARRIED OUT IN THE WORKSHOP BEFORE GALVANISING  
 2. ALL STEELWORK TO BE HOT DIPPED GALVANISED TO SANS 121.

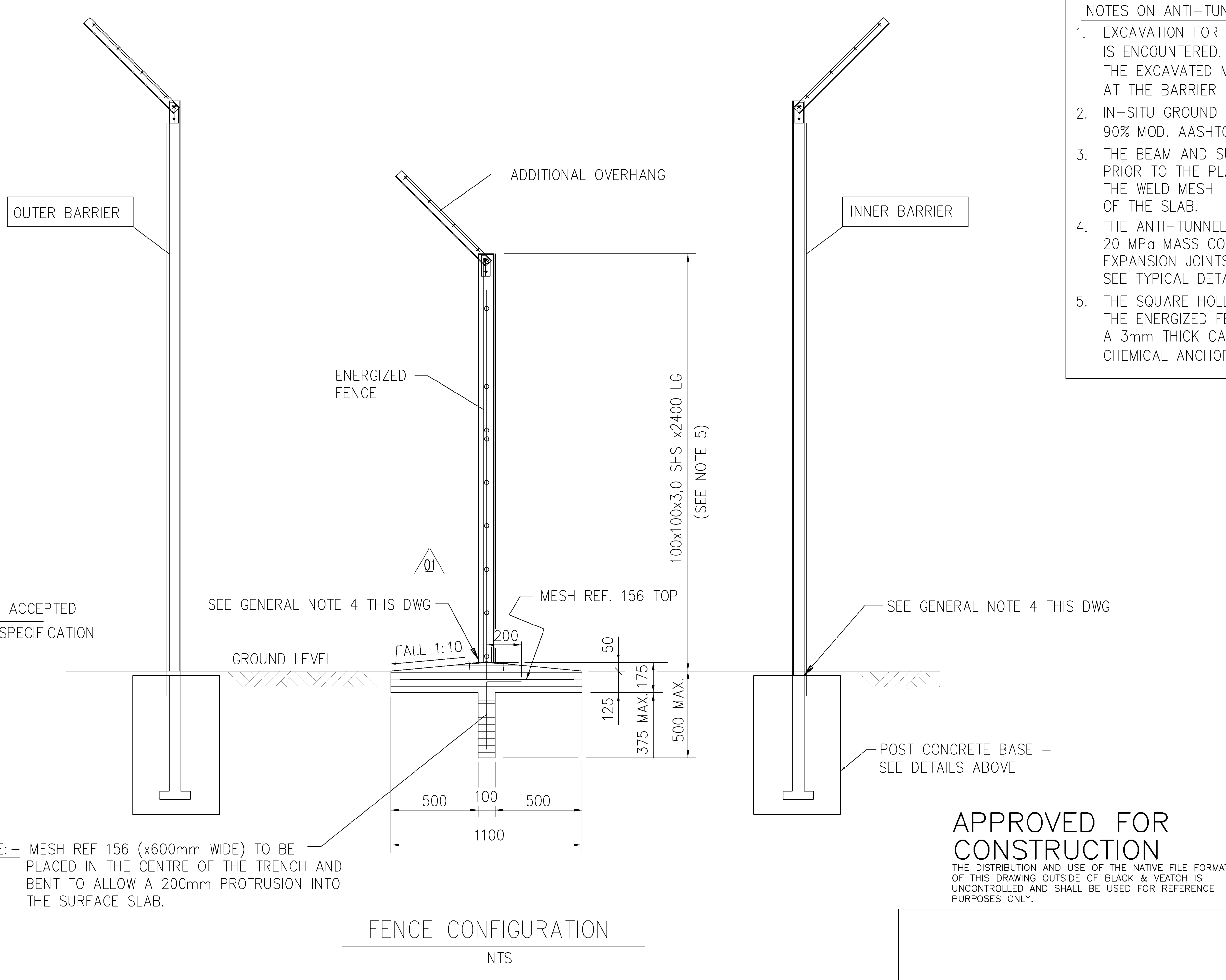


NOTE: - EXPANSION JOINT REQUIRED AT EVERY 5m  
 NTS



- GENERAL NOTES:
1. ALL POSTS, STRUTS, BOLTS AND HOOK BOLTS ETC TO BE HOT DIPPED GALVANISED AFTER FABRICATION IN ACCORDANCE WITH SANS 121.
  2. WELD MESH TO BE BURIED MIN. 300mm INTO GROUND
  3. ALL POSTS AND STRUTS TO BE SET IN CONCRETE GRADE 20/19.
  4. SEE ALSO TYP POST BASE DETAILS FOR POSTS INSTALLED ON BRIDGE DECKS (SEE DWG S3916F)

- NOTES ON ANTI-TUNNELLING FOR ENERGIZED FENCE
1. EXCAVATION FOR THE TRENCH TO BE TERMINATED WHEN HARD ROCK IS ENCOUNTERED. ADHERE TO A MAXIMUM DEPTH OF 500mm THROUGHOUT. THE EXCAVATED MATERIAL TO BE RE-USED FOR SURFACE RE-INSTATEMENT AT THE BARRIER FENCE SERVITUDE.
  2. IN-SITU GROUND TO BE COMPACTED TO 90% MOD. AASHTO T180/ASTM 1557 DENSITY BEFORE CASTING OF SLAB.
  3. THE BEAM AND SURFACE SLAB ARE TO BE CAST MONOLITHICALLY. PRIOR TO THE PLACEMENT OF CONCRETE ENSURE THAT THE WELD MESH PROTRUDE 200mm ABOVE THE UNDERSIDE OF THE SLAB.
  4. THE ANTI-TUNNELING T-BEAM TO BE SET IN 20 MPa MASS CONCRETE. USE 10mm THICK SOFT BOARD EXPANSION JOINTS AT 5,0m CENTRES THROUGHOUT - SEE TYPICAL DETAIL.
  5. THE SQUARE HOLLOW SECTION POSTS, REQUIRED FOR THE ENERGIZED FENCE ARE TO BE WELDED TO A 5mm THICK BASE PLATE AND A 3mm THICK CAP PLATE. SITE-FIT TO CONCRETE SLAB WITH 4-M12 CLASS 4.8 CHEMICAL ANCHOR BOLTS. UNO. (100MM MIN. EMBEDMENT)



NOTE: - MESH REF 156 (x600mm WIDE) TO BE PLACED IN THE CENTRE OF THE TRENCH AND BENT TO ALLOW A 200mm PROTRUSION INTO THE SURFACE SLAB.  
 NTS

**EXTENSIVE REVISIONS PER ECN-N-S-0338**

DATE		ISSUE FOR CONSTRUCTION	CHECKED BY				DATE				SCALE			
1	16/MAY/12	ISSUE FOR CONSTRUCTION	JKN	16/MAY/12										

REV	BY	DATE	DESCRIPTION	SCALE
1	JKN	16/MAY/12	ISSUE FOR CONSTRUCTION	0.90/707

**APPROVED FOR CONSTRUCTION**  
 THE DISTRIBUTION AND USE OF THE NATIVE FILE FORMAT OF THIS DRAWING OUTSIDE OF BLACK & VEATCH IS UNCONTROLLED AND SHALL BE USED FOR REFERENCE PURPOSES ONLY.

**KUSILE POWER STATION**  
 SECURITY FENCE  
 POST CONCRETE BASES AND GATE KEEP DETAIL  
 146838-0UYX-S3916A  
 0.90/707

MOSESABA  
 MAP/N077 AQ  
 03/15/12 13:28:40  
 MCD 16:1s (UMS Tech)