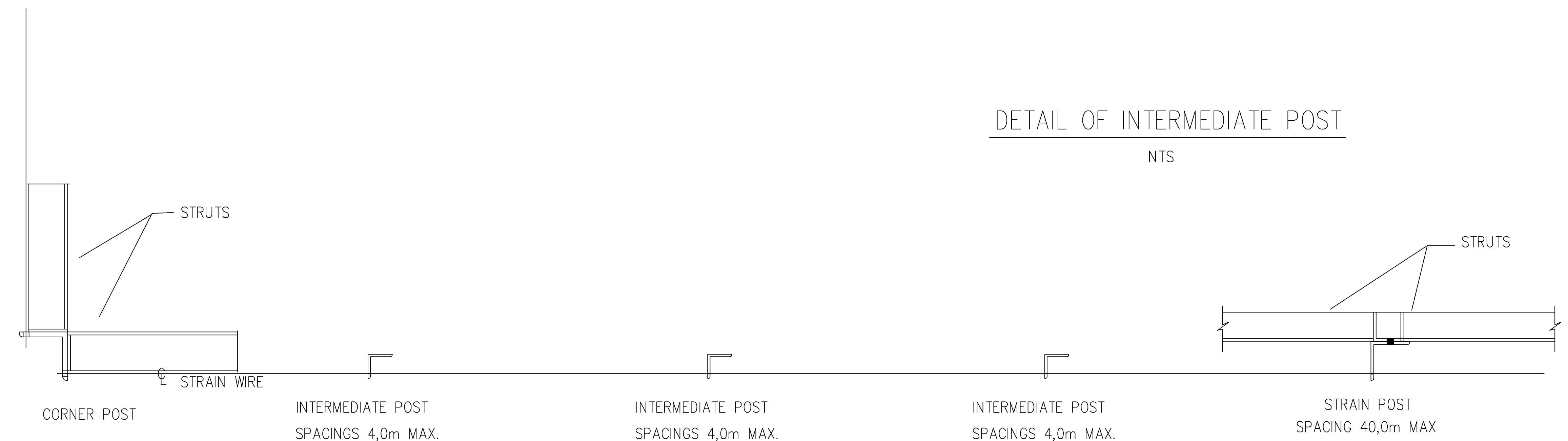
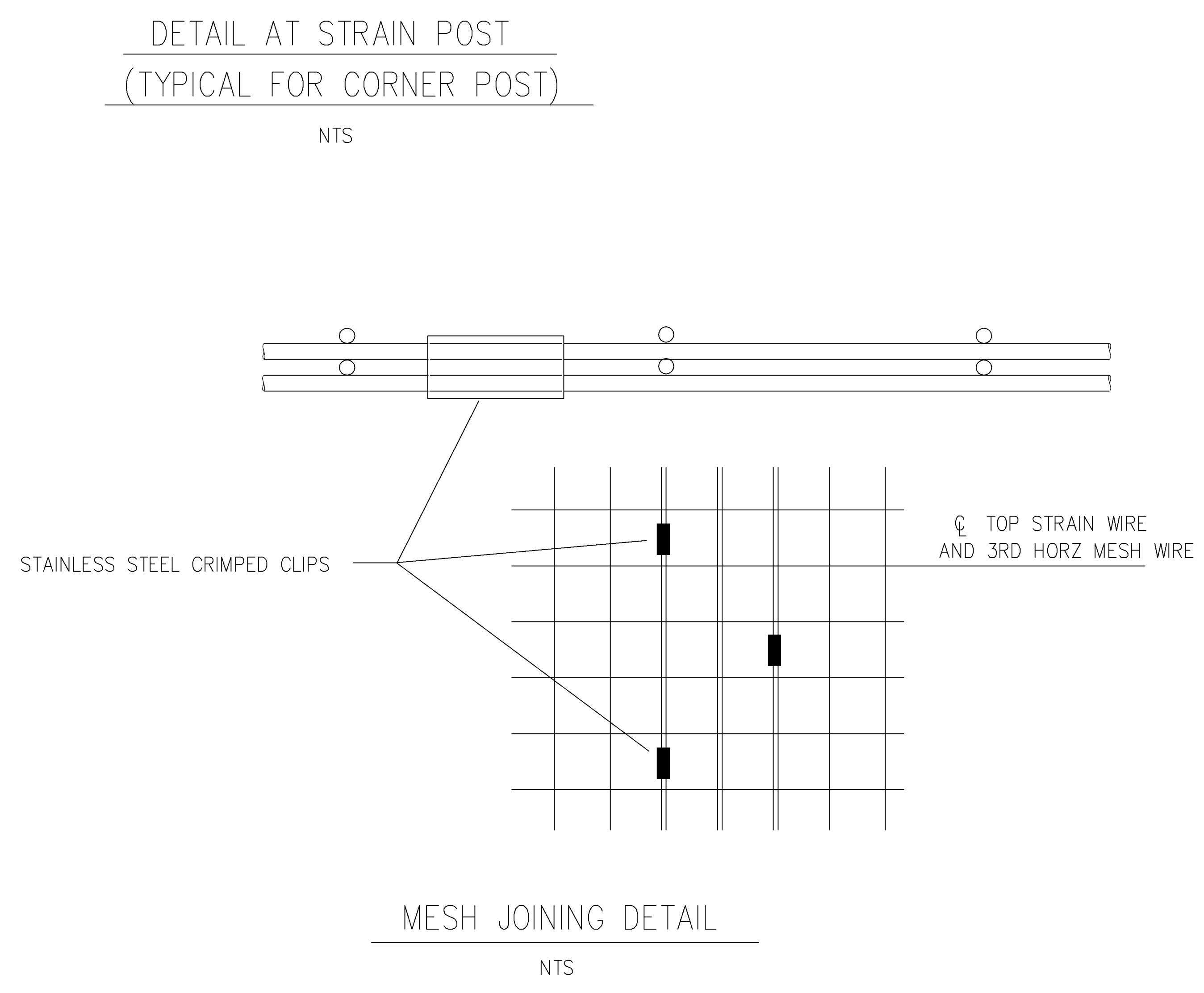
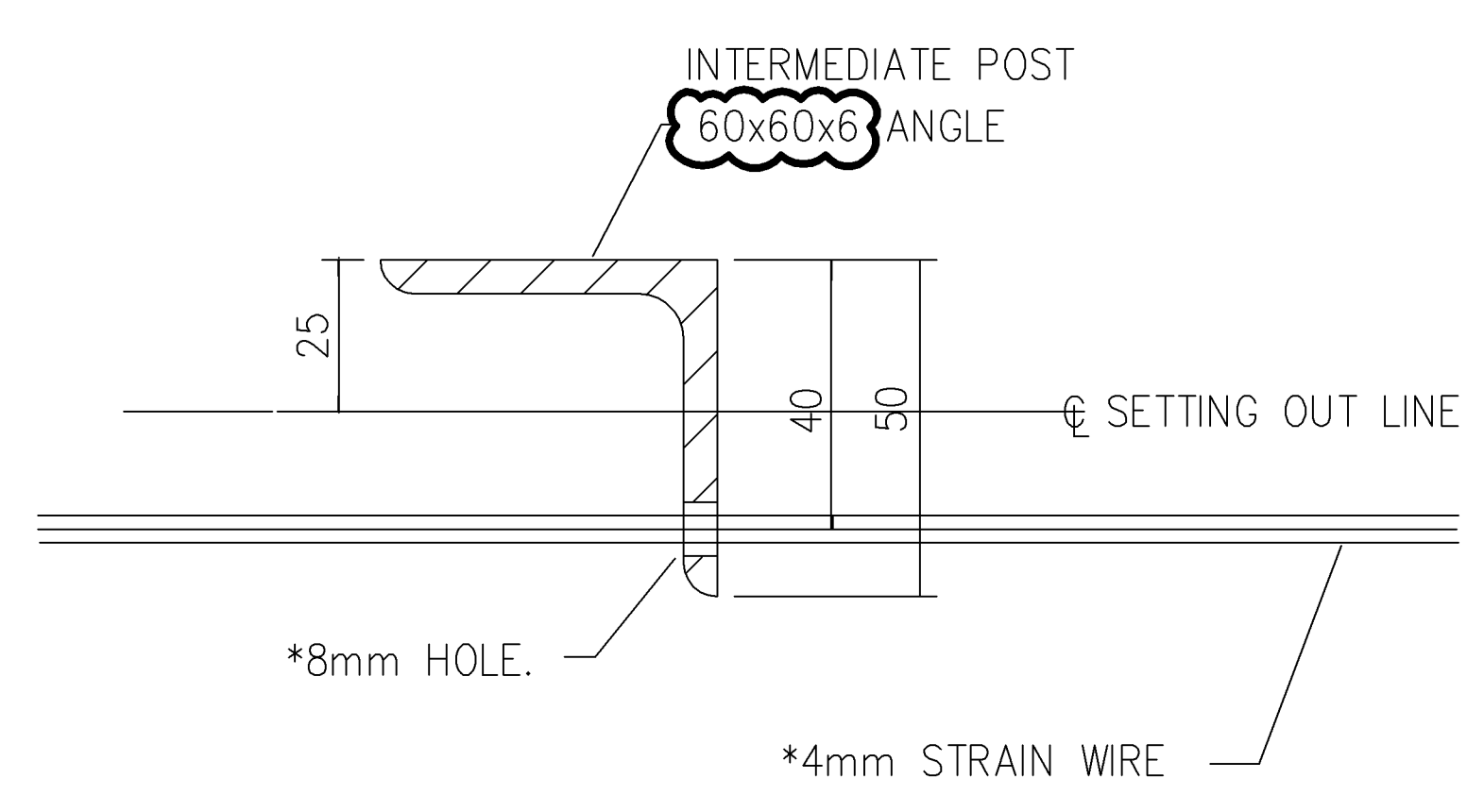
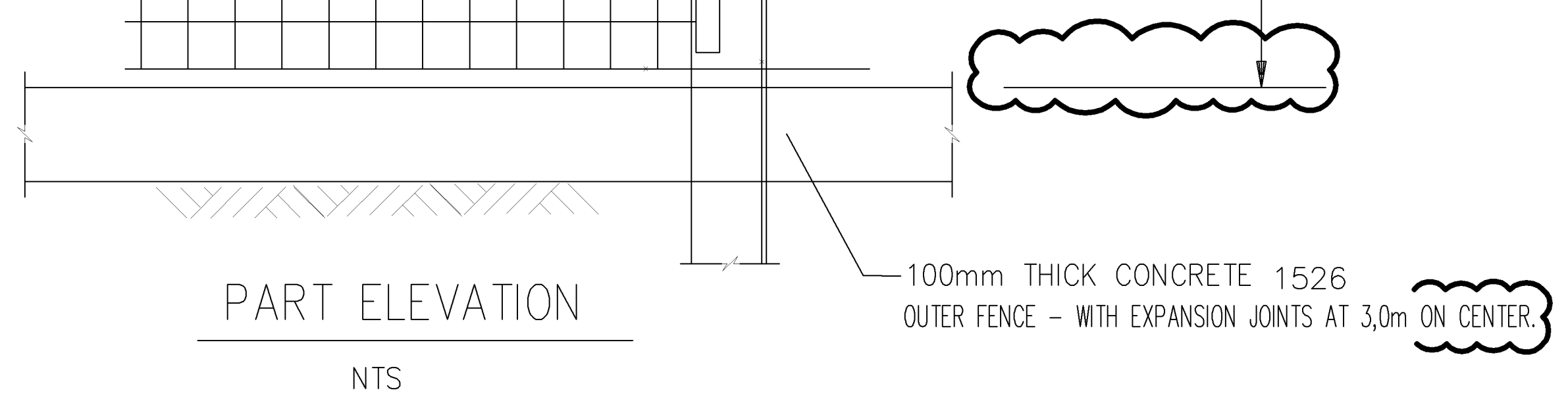
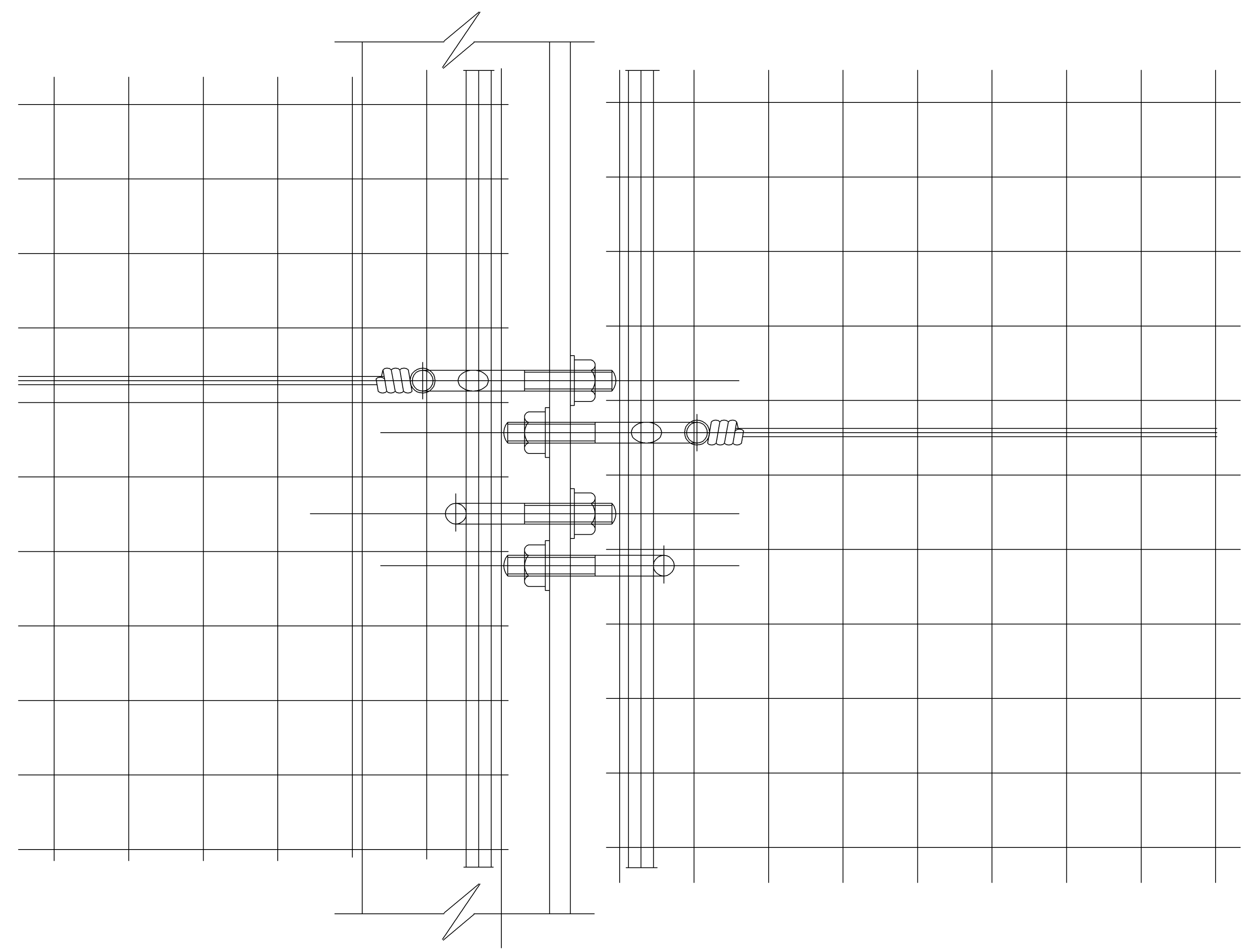


- NOTE :
- MESH TO BE 2,7m HIGH, 300mm INTO THE GROUND AND BITUMEN COATED 400mm FROM BOTTOM
  - NO BULGING TO OCCUR IN WELDMESH.
  - MESH TO BE FULLY GALVANISED WELDMESH CLASS 'A' (SANS 935) SIZE 50x50x3,15,1dia
  - STRAIN WIRE TO BE 4,0mm DIA GALVANISED MS
  - ALL FENCE WIRE TO COMPLY WITH SANS 675



REVISIONS PER ECN-N-S-0338

APPROVED FOR CONSTRUCTION  
 THE DISTRIBUTION AND USE OF THE NATIVE FILE FORMAT OF THIS DRAWING OUTSIDE OF BLACK & VEATCH IS UNCONTROLLED AND SHALL BE USED FOR REFERENCE PURPOSES ONLY.

1	16/MAR/12	REV PER ECN-N-S-0338	MKK	DNS	JWF	MDC
0	16/MAR/12	ISSUE FOR CONSTRUCTION	DNS	MJS	DLS	
KUSILE POWER STATION SECURITY FENCE WELDMESH TERMINATION AND FIXING DETAILS 146838-0UYX-S3916D 0.90/710						
ESCOM Eskom			SHEET 1 REV 1			

MDC:3884  
 ACAD 16:1s (LMS Tech)  
 A:\P\0712 13:47  
 05/15/12 13:47