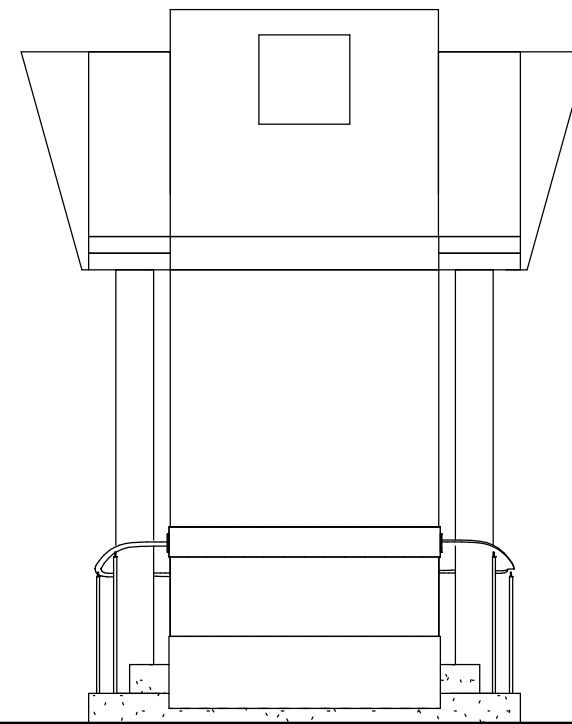
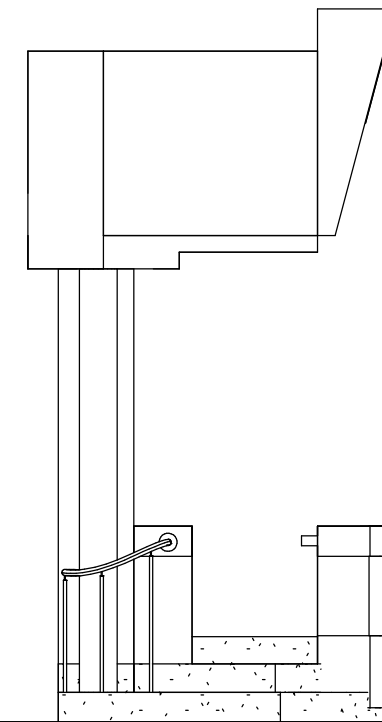
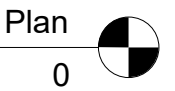


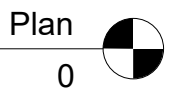
1 Plan  
1 : 50



2 South  
1 : 50



3 West  
1 : 50



**public works**

Department:  
Public Works  
**REPUBLIC OF SOUTH AFRICA**

www.publicworks.gov.za

No.	Description	Date

**PRESTIGE  
NATIONAL ASSEMBLY  
PODIUM**

**PLAN & ELEVATIONS**

Project number	NA	<b>A101</b>
Date	31/07/2019	
Drawn by	AN	Scale
Checked by	RD	

1 : 50