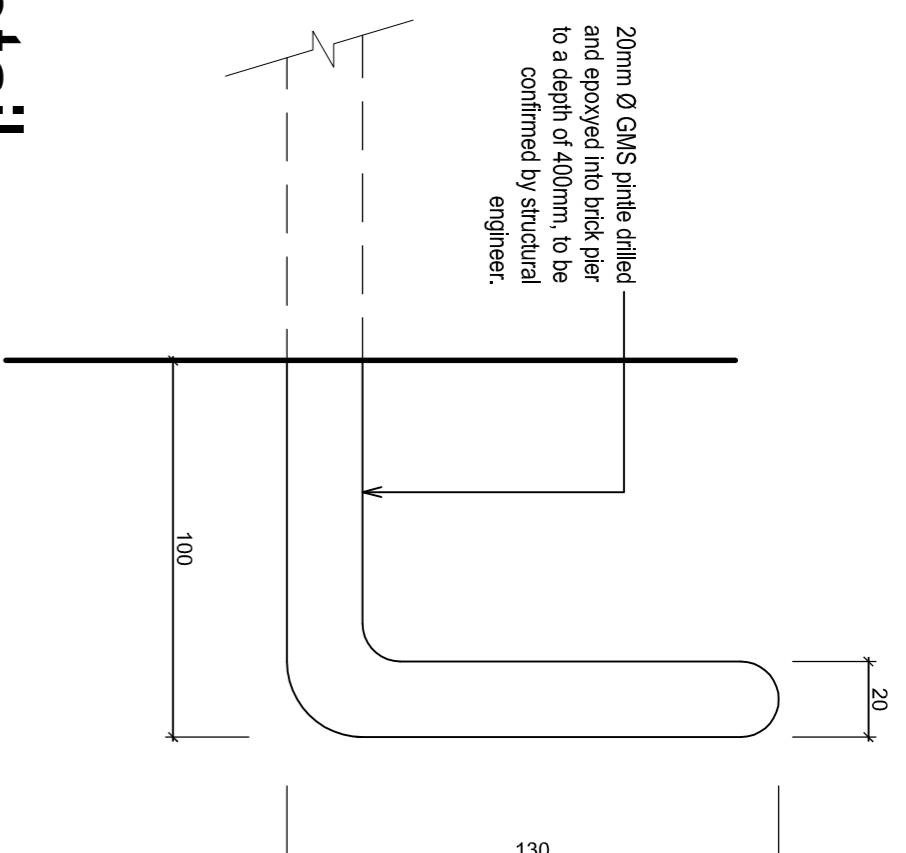
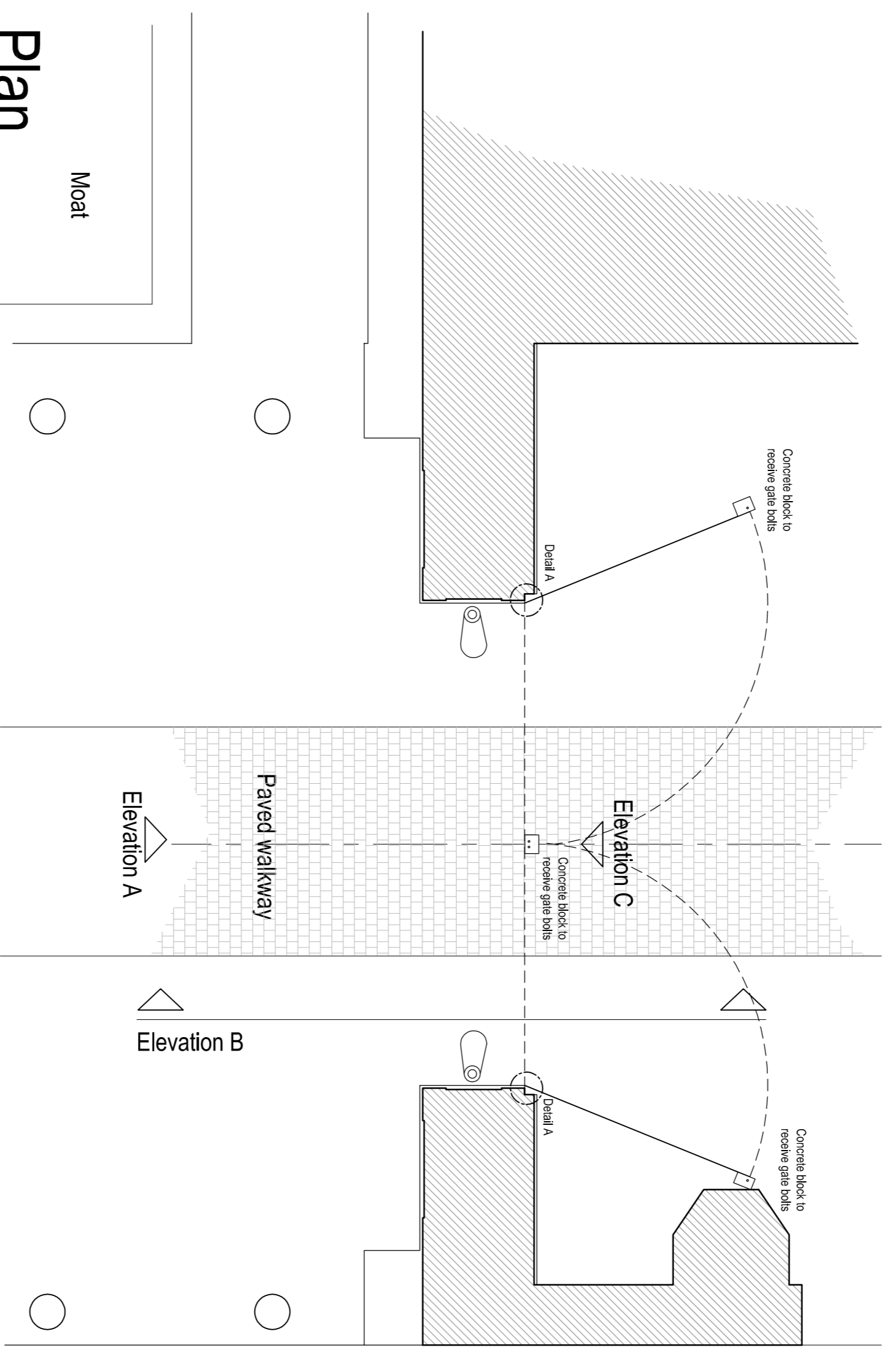


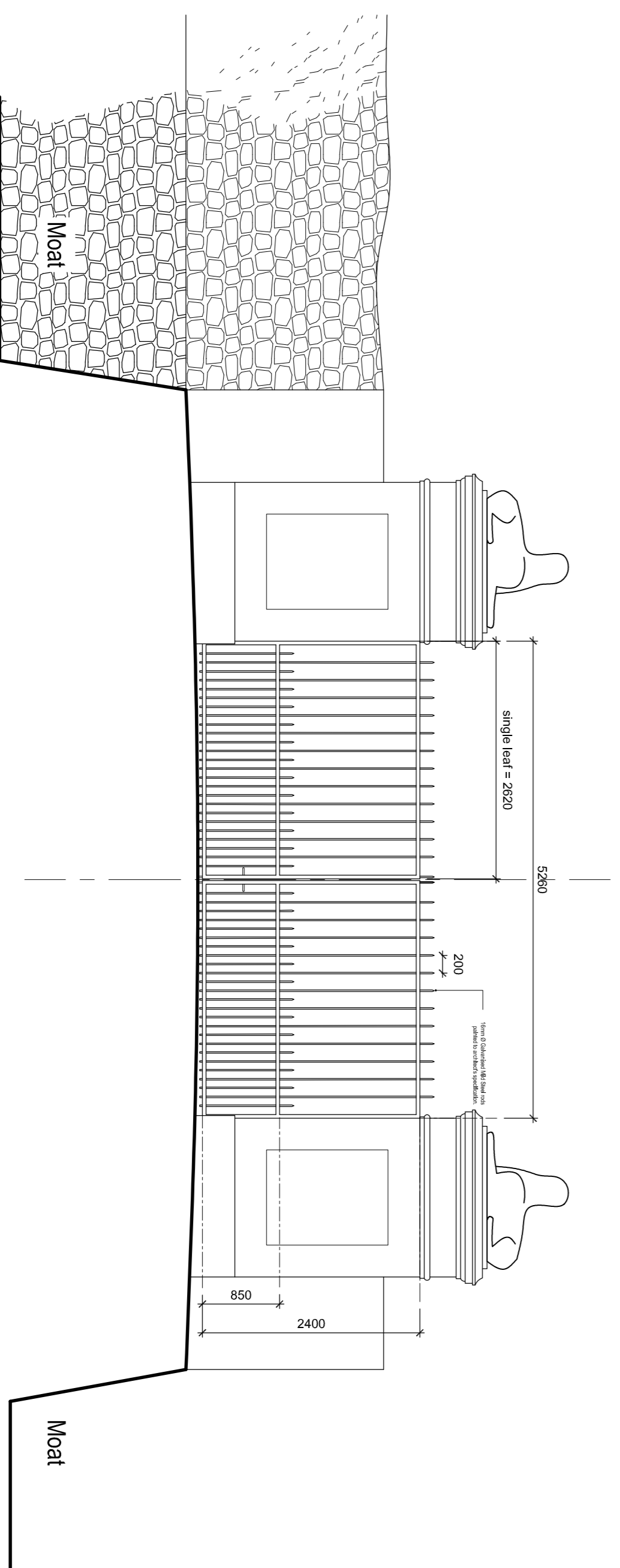
# FOR COSTING



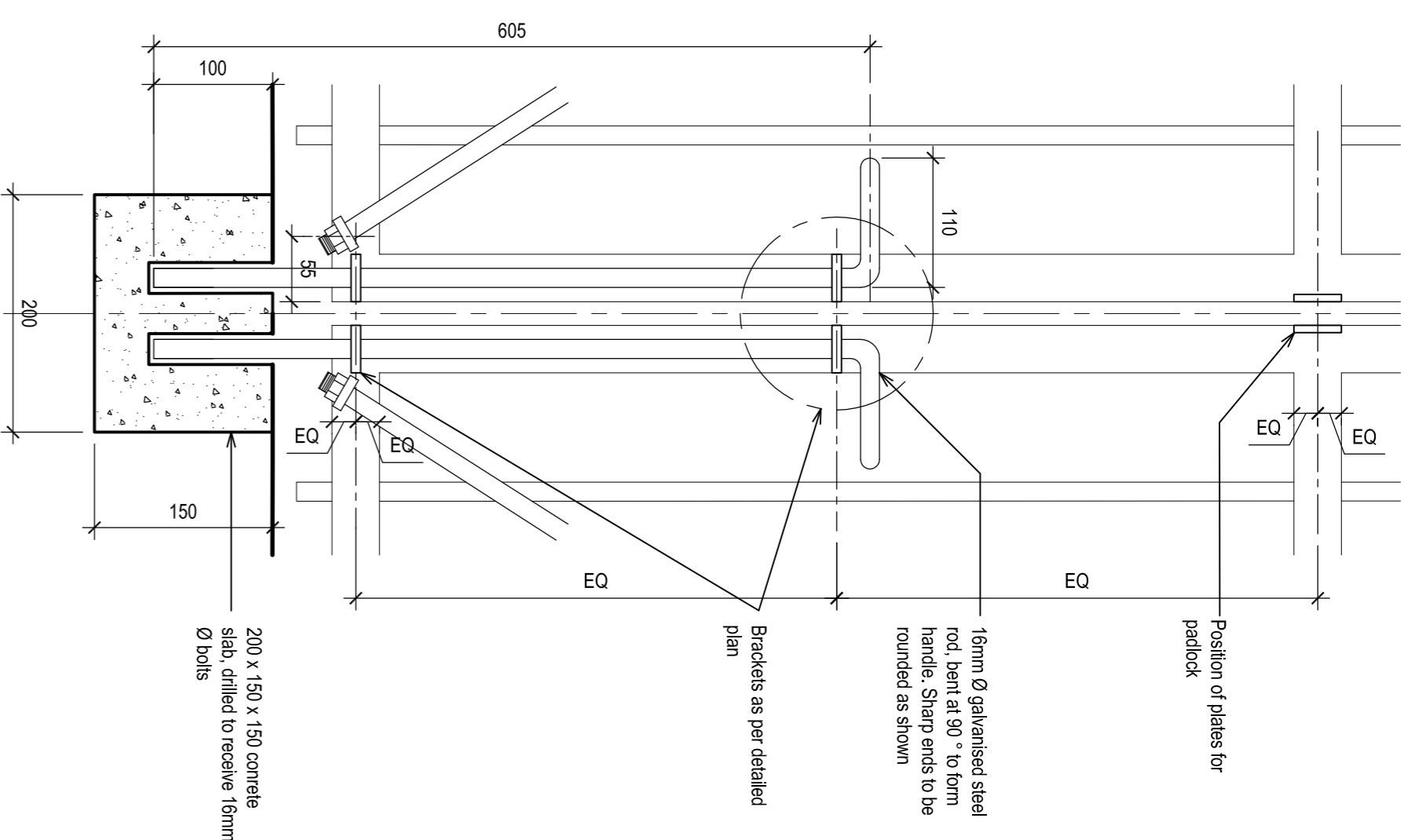
**Pintle detail**  
Scale 1:2



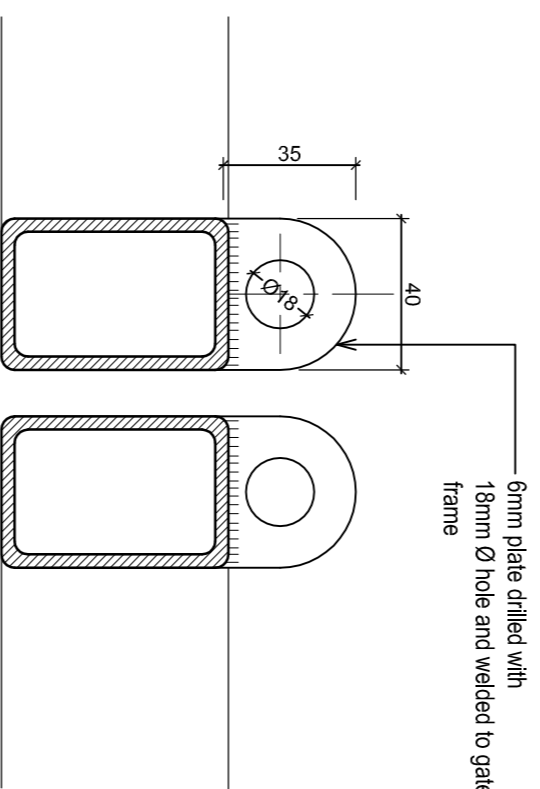
**Plan**  
Scale 1:50



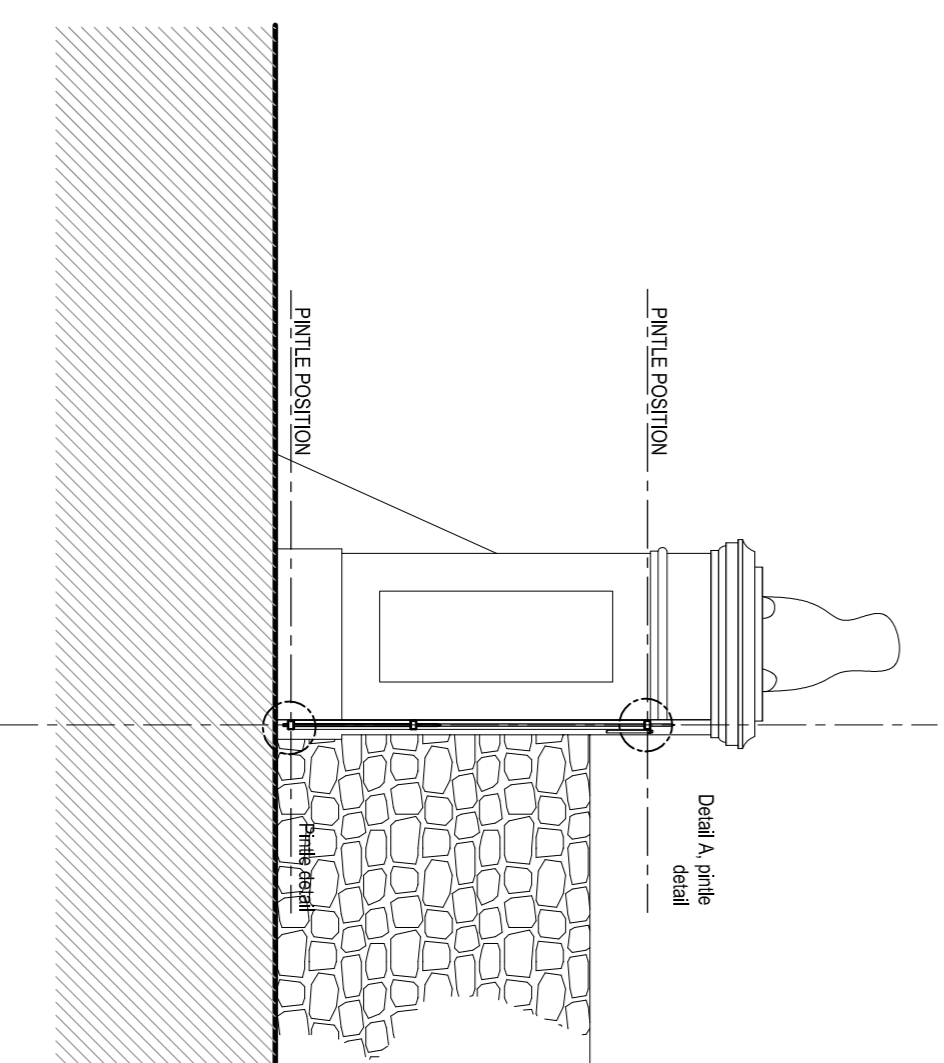
**Elevation A**  
Scale 1:50



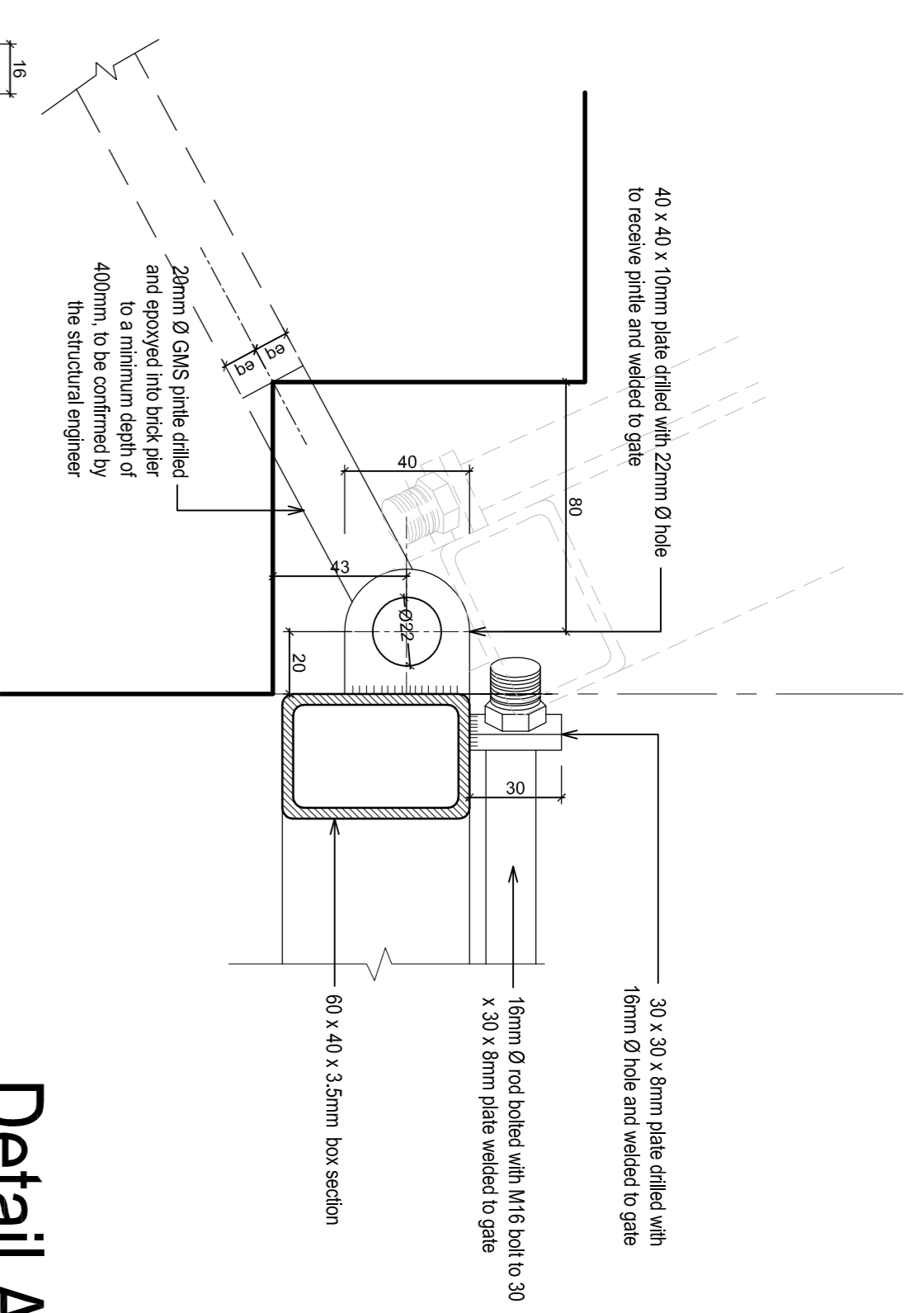
**Elevation C - Gate bolt**  
Scale 1:5



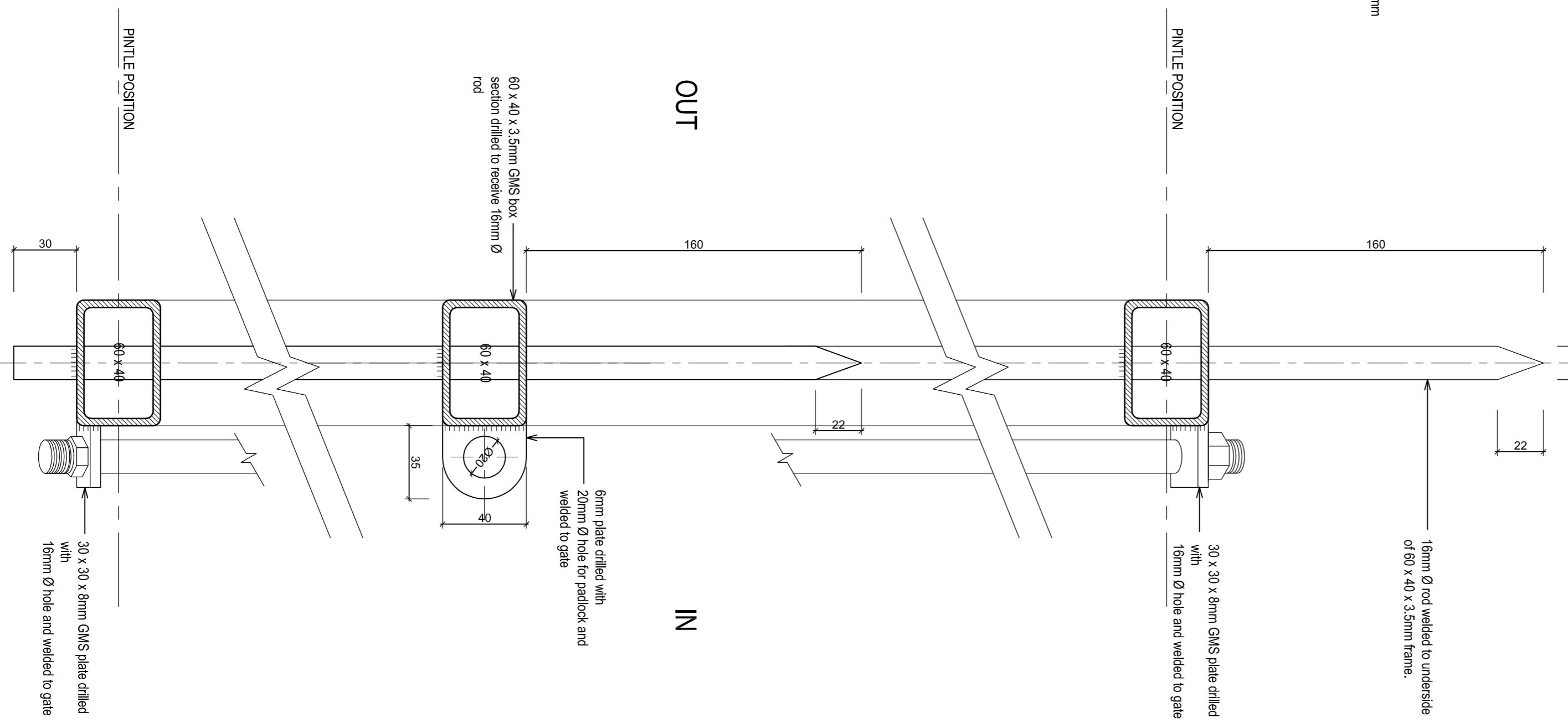
**Detail plan of bolt hinge**  
Scale 1:2



**Elevation B**  
Scale 1:50



**Detail A**  
Scale 1:2



**Section**  
Scale 1:2

**NOTES FOR CONSTRUCTION**

FINISHING  
All metal (frame and fixings) to be hot-dipped galvanized and painted with a suitable primer, undercoat and Plascoatane 9000 polyurethane acrylic finish, to manufacturer's specification. Colour to be confirmed by the architect.

ALL DIMENSIONS ARE TO BE CHECKED AND CONFIRMED ON SITE.

**public works**  
Department: Public Works  
REPUBLIC OF SOUTH AFRICA

**DIRECTOR-GENERAL**  
MR. MZIMONKE DUBANTU

consultant  
**GABRIEL FAGAN**  
ARCHITECTS  
BREE STREET 156  
CAPE TOWN 8001  
TEL 021 - 424 2470  
FAX 021 - 424 0749

discipline  
**ARCHITECTURAL**

service  
**CAPE TOWN:  
CASTLE OF GOOD HOPE  
REPAIR AND MAINTENANCE  
PHASE 2**

drawing title  
**NEW GATE FOR LION GATE ENTRANCE**

VCS number  
**052148**

ref.no.  
**AS SHOWN**

scale  
**26 APR 2016**

date  
**26 APR 2016**

checked  
**GTF**

designed  
**RM: Ph 2/78**

RM: Ph 2/78