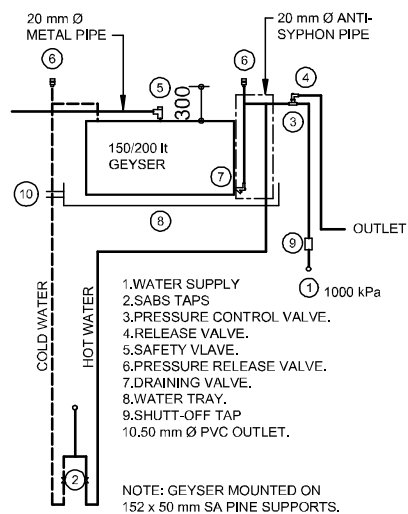


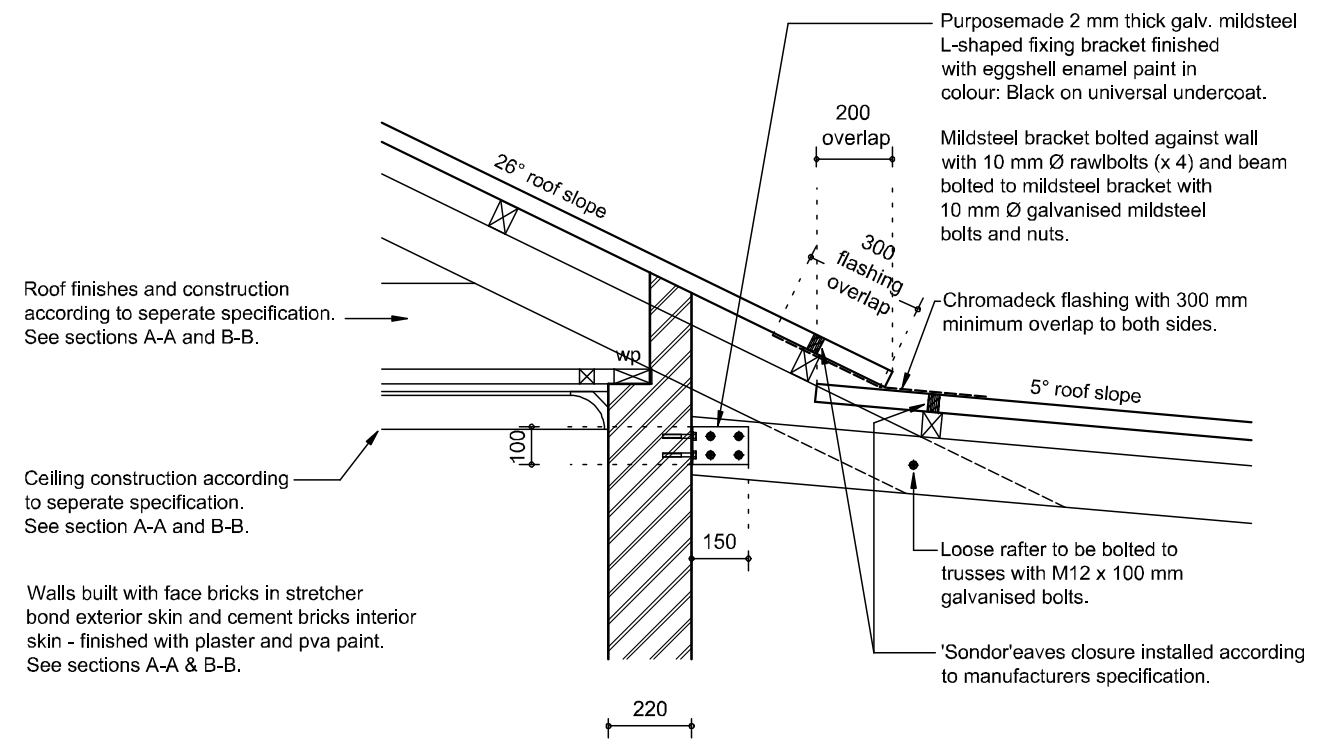
NOTE:
OPTION OF ELECTRICAL OR SOLAR GEYSER
INSTALLATION TO BE DETERMINED BY
PARK LOCATION/WEATHER CONDITIONS



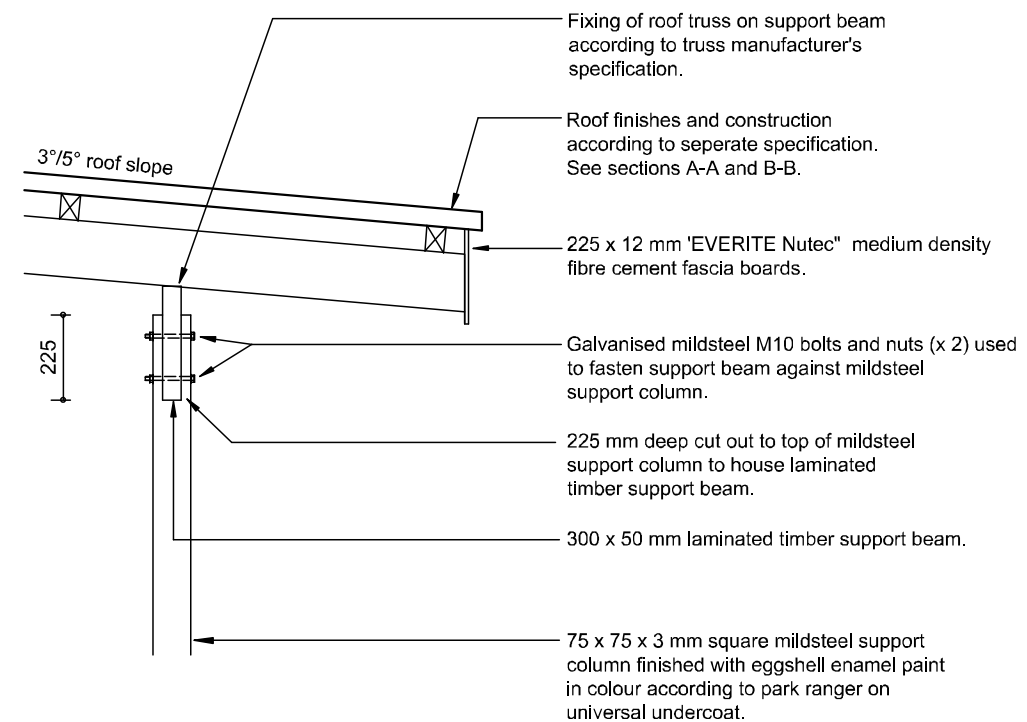
TYPICAL GEYSER
S.A.B.S. 0254

ELECTRICAL LEGEND		
	DOUBLE TUBE FLOURESCENT	1
	CEILING LIGHT	6
	WATERPROOF WALL LIGHT	3
	SINGLE LEVER LIGHT SWITCH	3
	DOUBLE LEVER LIGHT SWITCH	3
	15 AMP SINGLE WALL PLUG WITH HEIGHT AS SHOWN	3
	15 AMP DOUBLE WALL PLUG WITH HEIGHT AS SHOWN	8
	WATER PROOF STOVE POINT WITH HEIGHT AS SHOWN	1
	DISTRIBUTION BOARD	1
	P & T TELEPHONE JACK	1
	TELEVISION POINT	1

Ceiling fans and air conditioners to be installed if requested
by Park Manager.
Ceiling lights to be replaced with wall mounted lights when
ceiling fans are installed.



Detail A
Scale 1:20



Detail B
Scale 1:20

PROJEK / PROJECT
Unit C2: Two bedroom dwelling.

TEKENING OPSKRIF / DRAWING TITLE

Building plans

SKAAL SCALE **Shown** DATUM DATE **June 2016**

TEKENING NO. DRAWING NR **SANP mun C 2e REV 02** VEL NO. SHEET NR **5/7**