

Accepted for approval

Surveyor General.

20 JUN 1940

SURDL. DIAGRAM
sect. 24 (b), Act No. 9 of 1927

OFFICE COPY

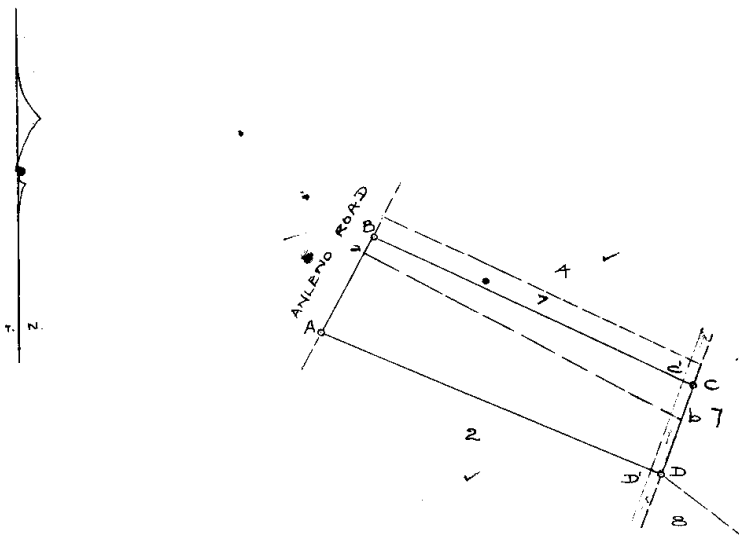
S.G.N° 1468/1940

SIDES ENGLISH FEET		ANGLES OF DIRECTION		CO-ORDINATES SYSTEM L ₀ 31° Add 10,000,000 TO ALL X's.	
				Y	X
AB	57.00 ✓	A	84. 37 40 ✓		
BC	188.41 ✓	B	93. 21. 50 ✓		
CD	50.17 ✓	C	93. 47. 30 ✓		
DA	135.20 ✓	D	88. 13. 00 ✓		

Approved

P. J. Fischer
Surveyor General.
10-9-1943

GENERAL PLAN No. 94x45



Reg. Div.
FT

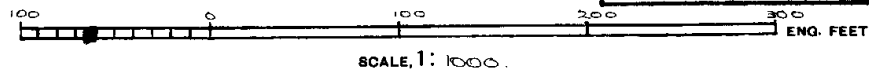
The figure CDDC represents an
eff sewer and drain servitude ✓

3/876

Description of Beacons.

ABCD are 3/4 pipes ✓

Now SUB 3 of
LOT 876 SEA VIEW



The figure ABCD ✓

represents 10255 Square Feet of land being

Lot 3 of Portion Anleno of Sub abikno of the farm Sea View N845.
situate in the City of Durban, Province of Natal.

Surveyed in March 1940 by me

Carl T. Chelms
Land Surveyor.

This diagram relates to DT. No. 2641/1945 23-4-45 <i>(Sgd) W.R. Webb.</i> Registrar of Deeds.	Original diagram is S.G. No. 1465/1940 Relating to Deed of Consolidated Title No. 4355/1940	File No. 136/28. Survey Records 88 184 Tracing ★ Degree Sheet Compilation K3 General Plan 94x45
---	---	--

MA 1128