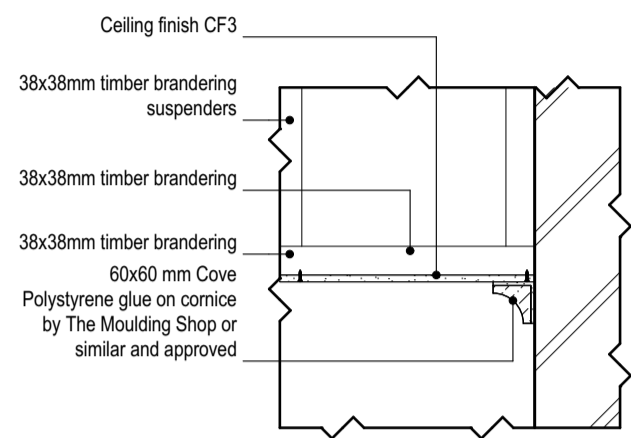
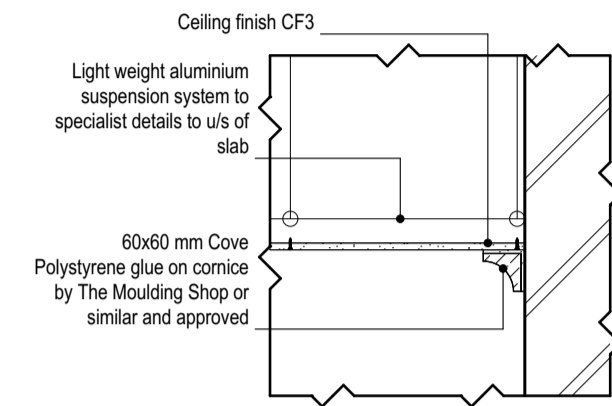


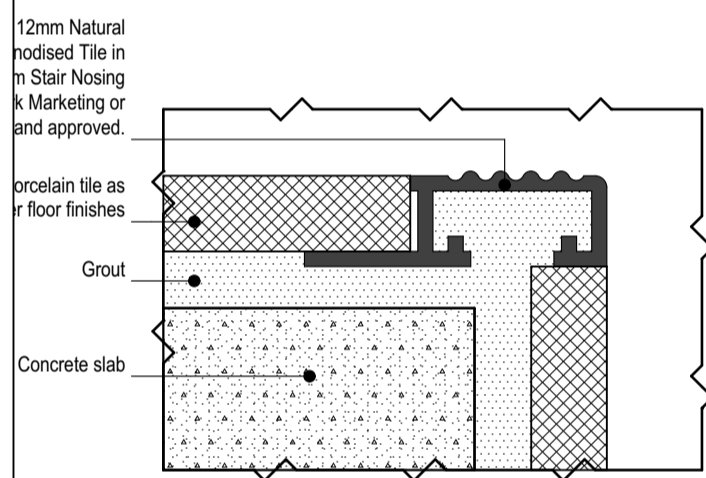
Ceiling Detail C1
SCALE: 1:10



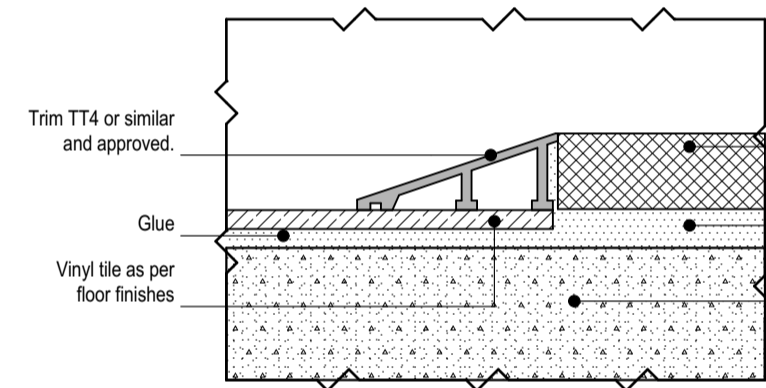
Ceiling Detail C2
SCALE: 1:10



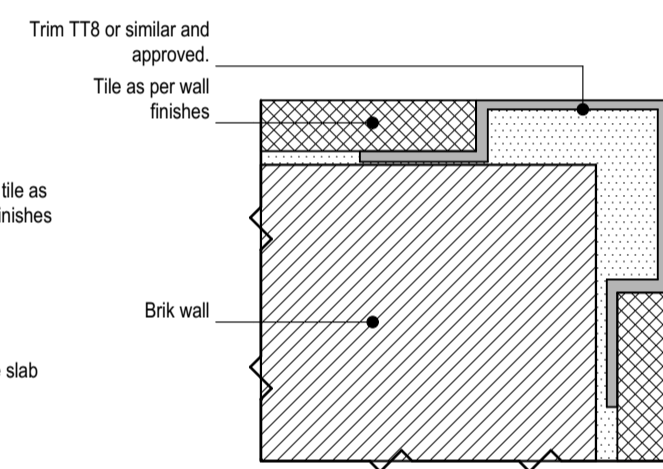
Ceiling Detail C3
SCALE: 1:10



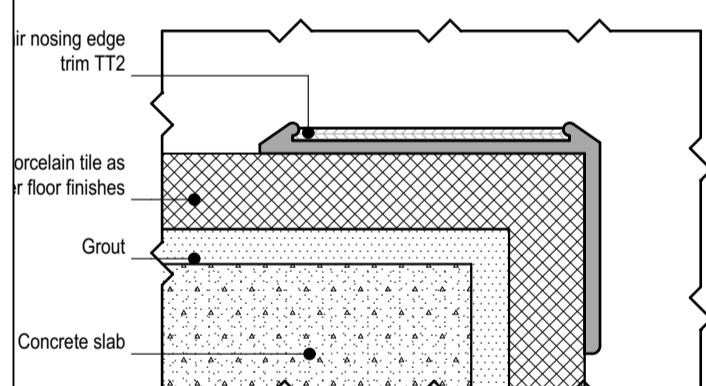
Trim Detail TT1
SCALE: 1:1



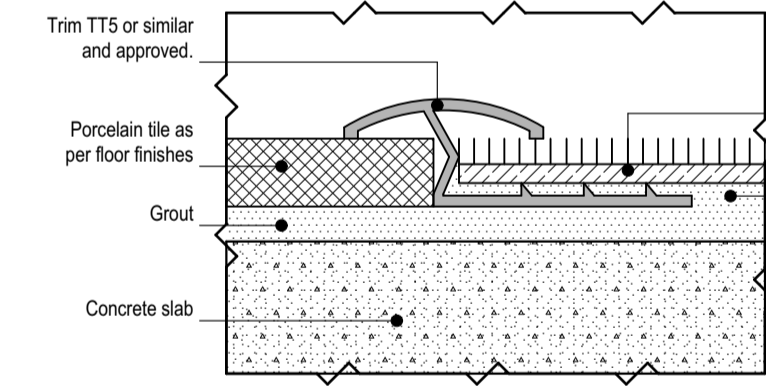
Trim Detail TT4
SCALE: 1:1



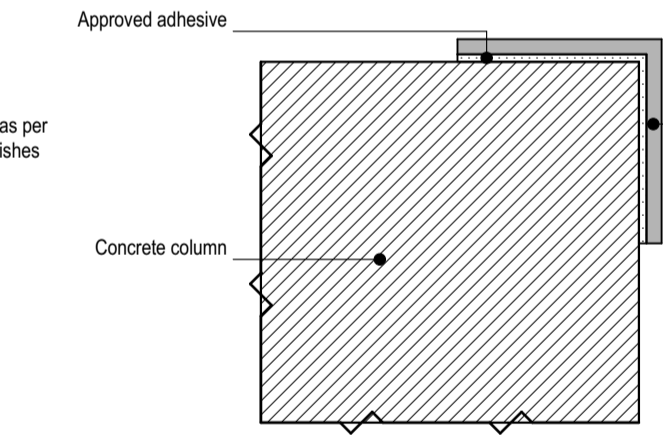
Trim Detail TT7
SCALE: 1:1



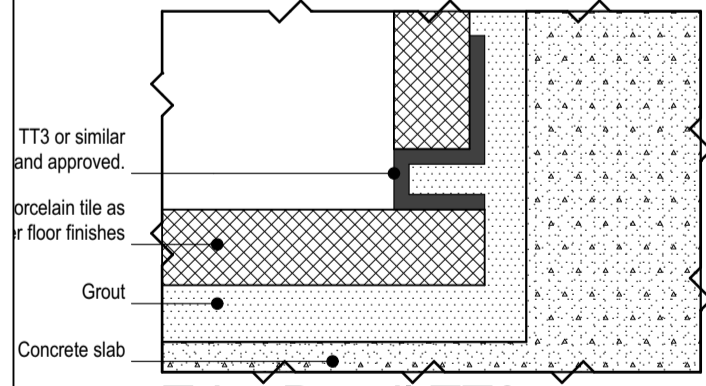
Trim Detail TT2
SCALE: 1:1



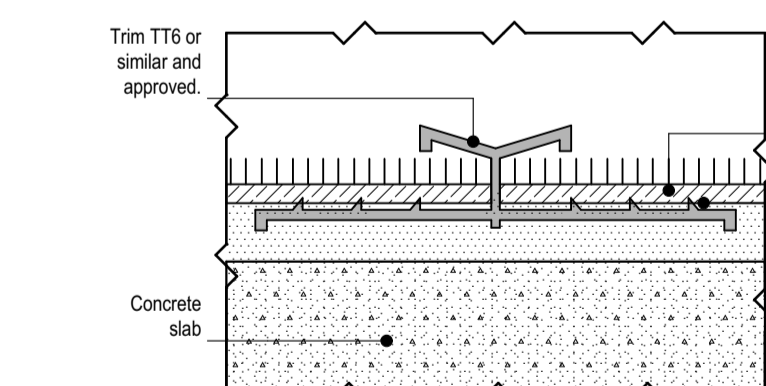
Trim Detail TT5
SCALE: 1:1



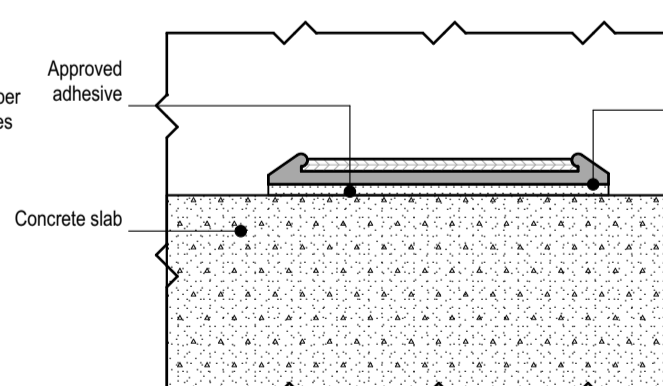
Trim Detail TT8
SCALE: 1:1



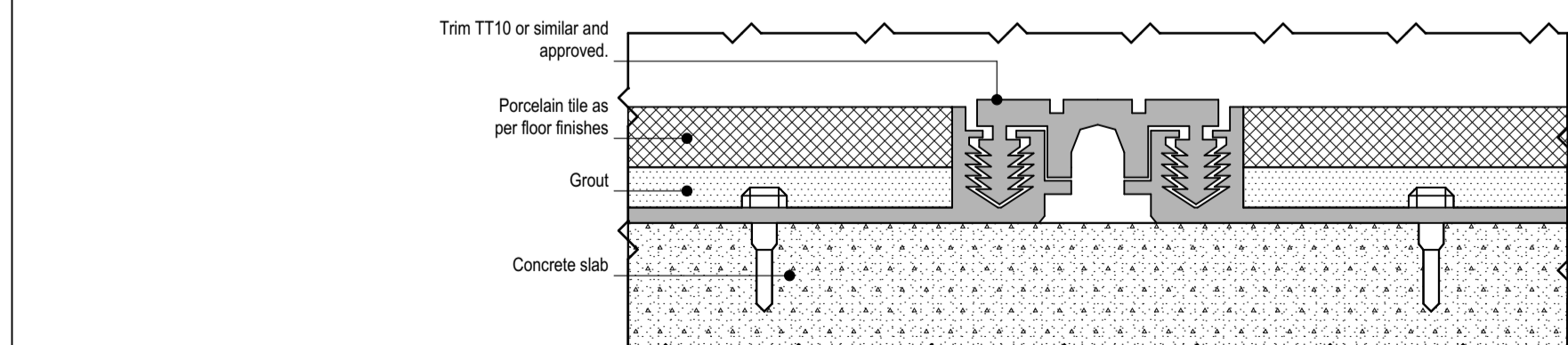
Trim Detail TT3
SCALE: 1:1



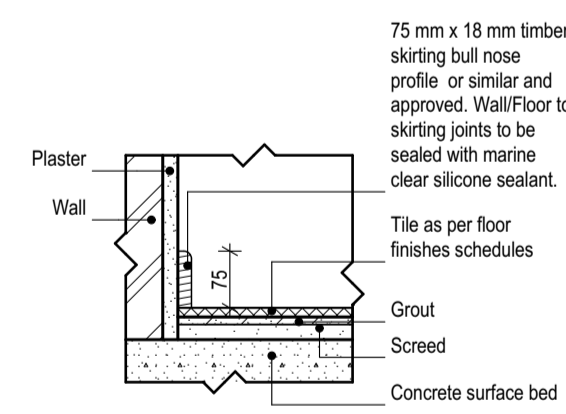
Trim Detail TT6
SCALE: 1:1



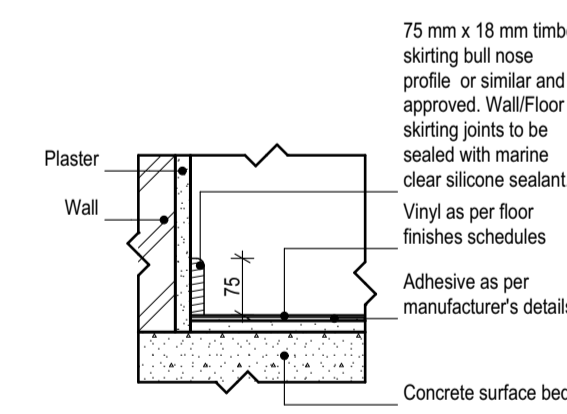
Trim Detail TT9
SCALE: 1:1



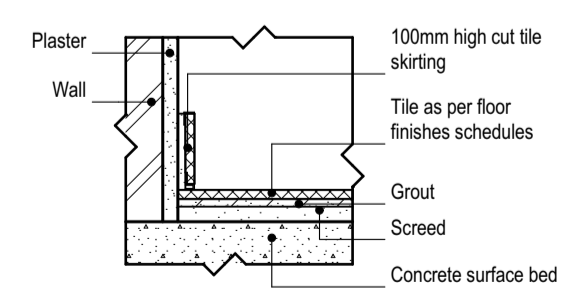
Trim Detail TT10-Expansion joints
SCALE: 1:1



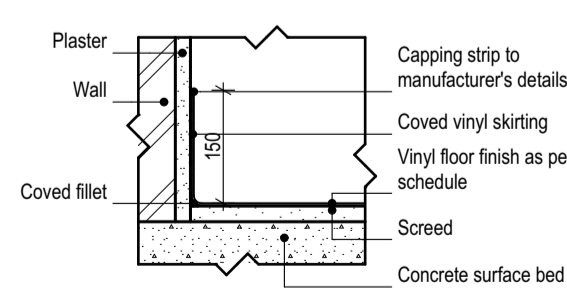
Skirting Detail S1
SCALE: 1:10



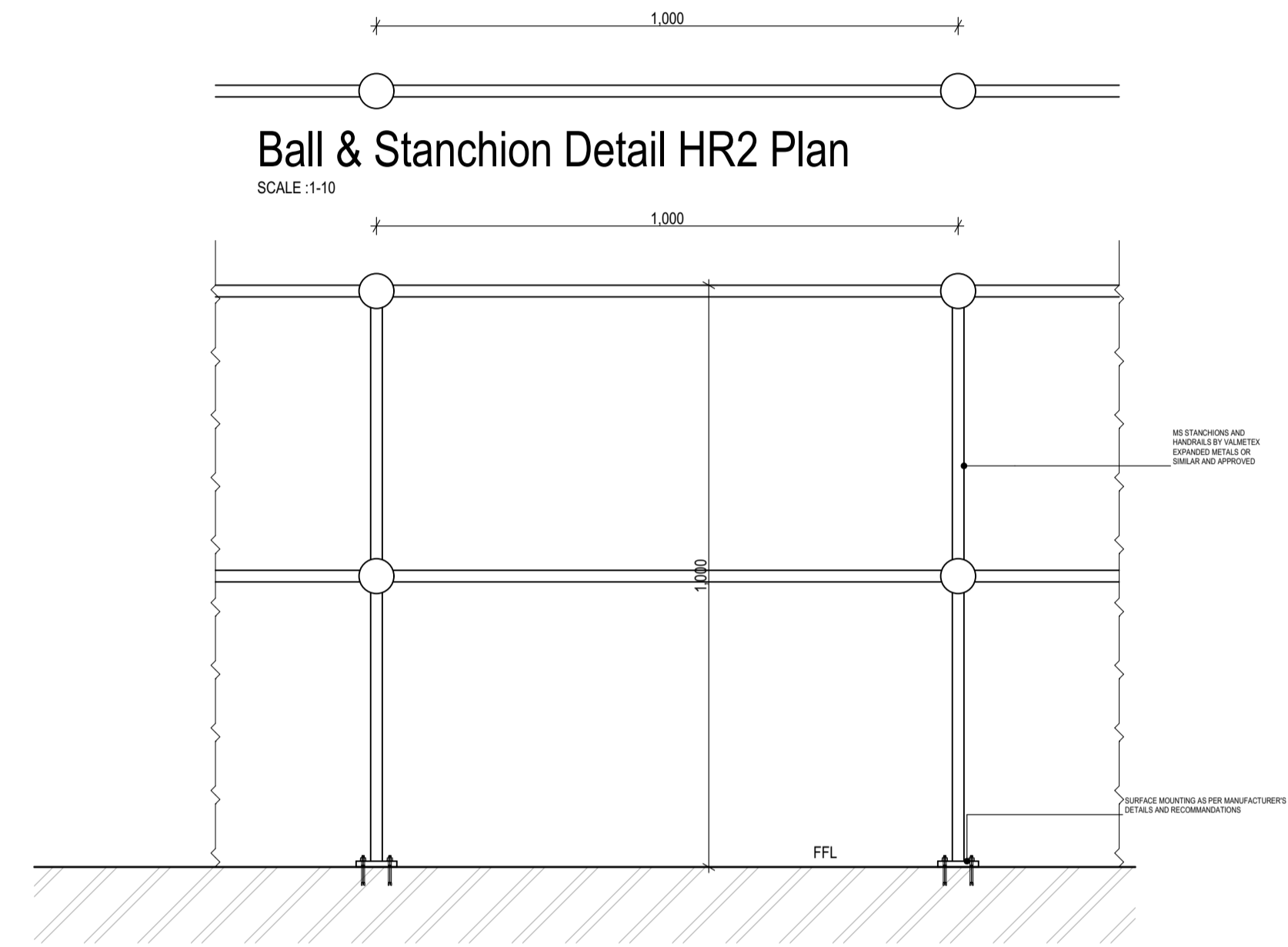
Skirting Detail S2
SCALE: 1:10



Skirting Detail S3
SCALE: 1:10



Skirting Detail S4
SCALE: 1:10



Ball & Stanchion Detail HR2 Elevation
SCALE: 1:10

No.	DATE	AMENDMENT	D.P.W.
A	24.1.18	ISSUED FOR COSTING	
B	34.5.18	ADDED DOOR & WINDOW SCHEDULES ADDED JOINERY DETAILS UPDATED SPECIFICATIONS UPDATED TITLE BLOCK WCS NUMBER	
C	14.5.18	ISSUED FOR TENDER	

CONSTRUCTION

Copyright vests in the
Department of Public Works

as-built drawings

certified as-built drawings as per Centralised Drawing
Archive AS-BUILT DRAWING REQUIREMENTS

name: _____

date: _____

professional registration no.: _____

cad file name: DWG page type: A 1

client:




DBSA

end user client:



public works
Department:
Public Works
REPUBLIC OF SOUTH AFRICA
DIRECTOR-GENERAL
MR. MZIWONKE DLABANTU

consultant:



Gonang Consulting Services
Yes We Can

discipline: ARCHITECTURE

service: REPAIR AND RENOVATION OF VICTORIA WEST MAGISTRATE COURT ON ERF 369, VICTORIA WEST

WCS number: 050936

drawing title: GENERIC DETAILS TRIMS, CEILING CORNICE, HANDRAILS & SKIRTING DETAILS

ref.no. EDIT designed MTY

scale 1:10 drawn MKM

date 30-08-2018 checked MKM PrArch 24750446

DPW drawing number _____ Rev: _____

D