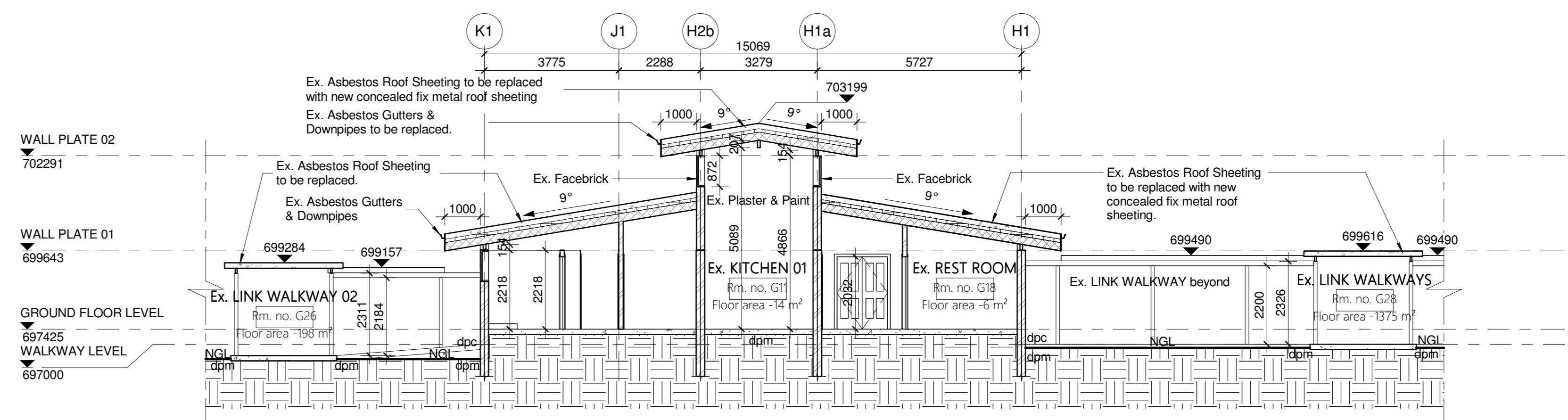
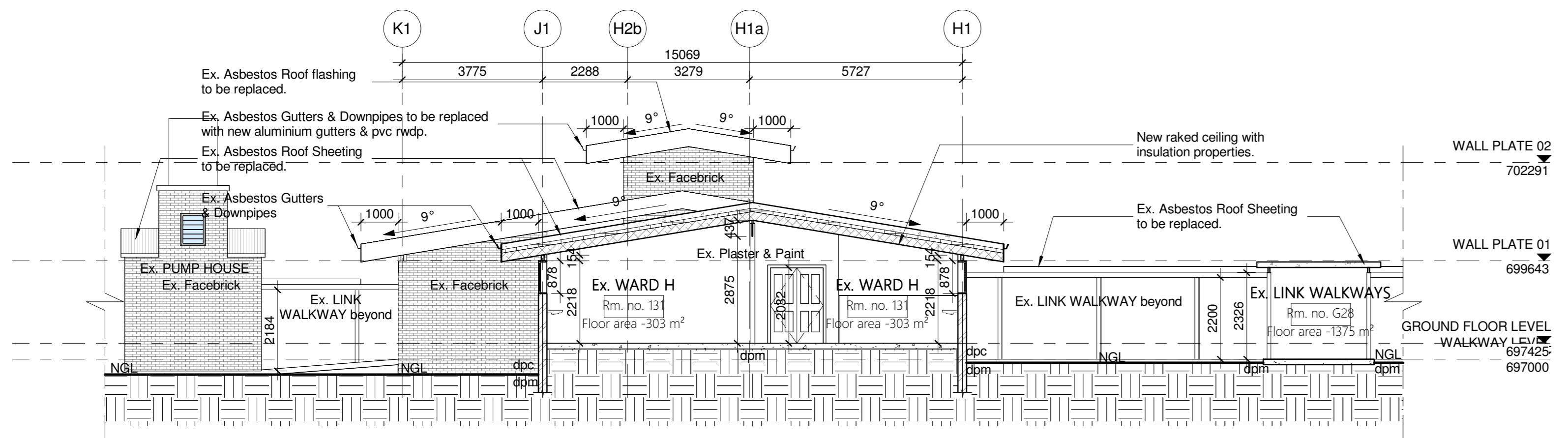


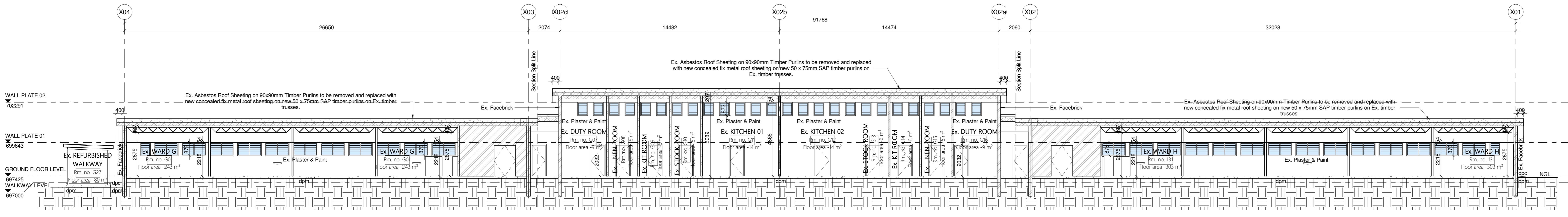
1 MBALI WARDS A & B - SECTION A
1:100



2 MBALI WARDS A & B - SECTION B
1:100



3 MBALI WARDS A & B - SECTION C
1:100



4 MBALI WARDS A & B - SECTION D
1:100

- GENERAL DRAWING NOTES**
- THE DESIGN ON THIS DRAWING IS COPYRIGHT AND REMAINS THE PROPERTY OF THE ARCHITECTS.
 - ALL WORK TO BE CARRIED OUT STRICTLY IN ACCORDANCE WITH MUNICIPAL REGULATIONS.
 - DRAWINGS NOT TO BE SCALED, ONLY ANNOTATED DIMENSIONS TO BE USED.
 - ALL RELEVANT DATUM LEVELS, DIMENSIONS TO BE CHECKED ON SITE BEFORE COMMENCEMENT OF WORK.
 - ALL DRAWINGS ARE TO BE CHECKED BY THE MAIN CONTRACTOR AND ANY DISCREPANCIES ON THE DRAWINGS OR BETWEEN THE DRAWINGS ARE TO BE REFERRED TO THE ARCHITECT.
 - CONTRACTOR TO CHECK ALL QUANTITIES PRIOR TO ORDERING AND MANUFACTURE.
 - CONTRACTOR TO PROVIDE SHOP DRAWINGS FOR APPROVAL BY ARCHITECT PRIOR TO MANUFACTURE.

Revision:
No.: Date: Description:

Page Size: A0



Signature: Date:



Professional Architects signature
Mr. K.P. Mawesana (Pr. Arch) saccap (1902) sala (1998)

Project Title:
PROPOSED EDENDALE HOSPITAL ASBESTOS REMOVAL & REFURBISHMENT PROJECT FOR THE DEPARTMENT OF HEALTH, SOUTHERN REGION ERF 89, PLESSISLAER

Date: 09.03.2022 Scale: 1:100
Drawn: CJ

Drawing Description:
MBALI WARDS TYPICAL - SECTIONS - CONCEPT

Job no.: S561 Drawing no.: SK_MW_204 Rev. no.:
Signature: Date:

ISSUED FOR APPROVAL	
ISSUED FOR INFORMATION	
ISSUED FOR SUBMISSION	
ISSUED FOR TENDER	
ISSUED FOR CONSTRUCTION	