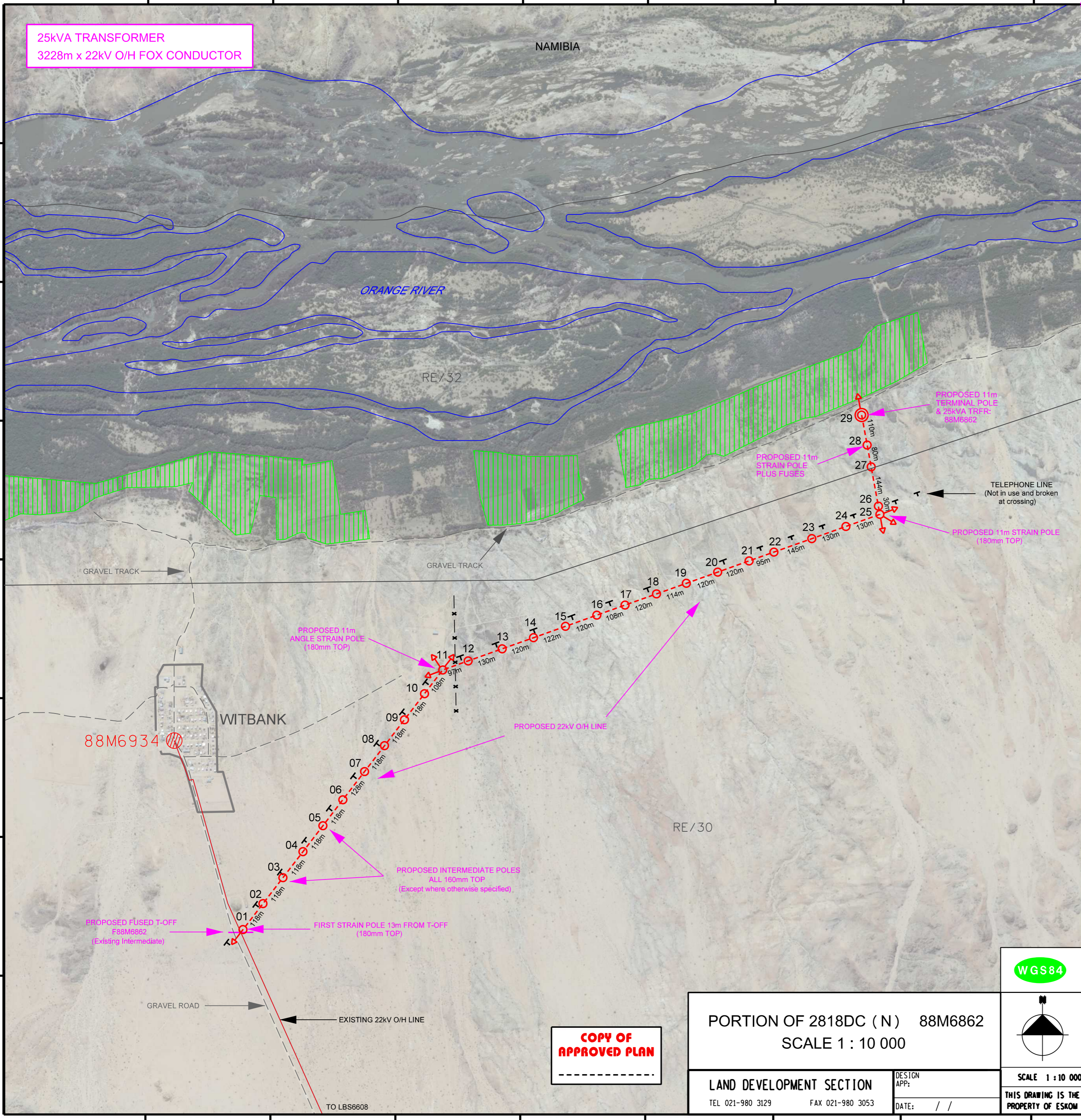
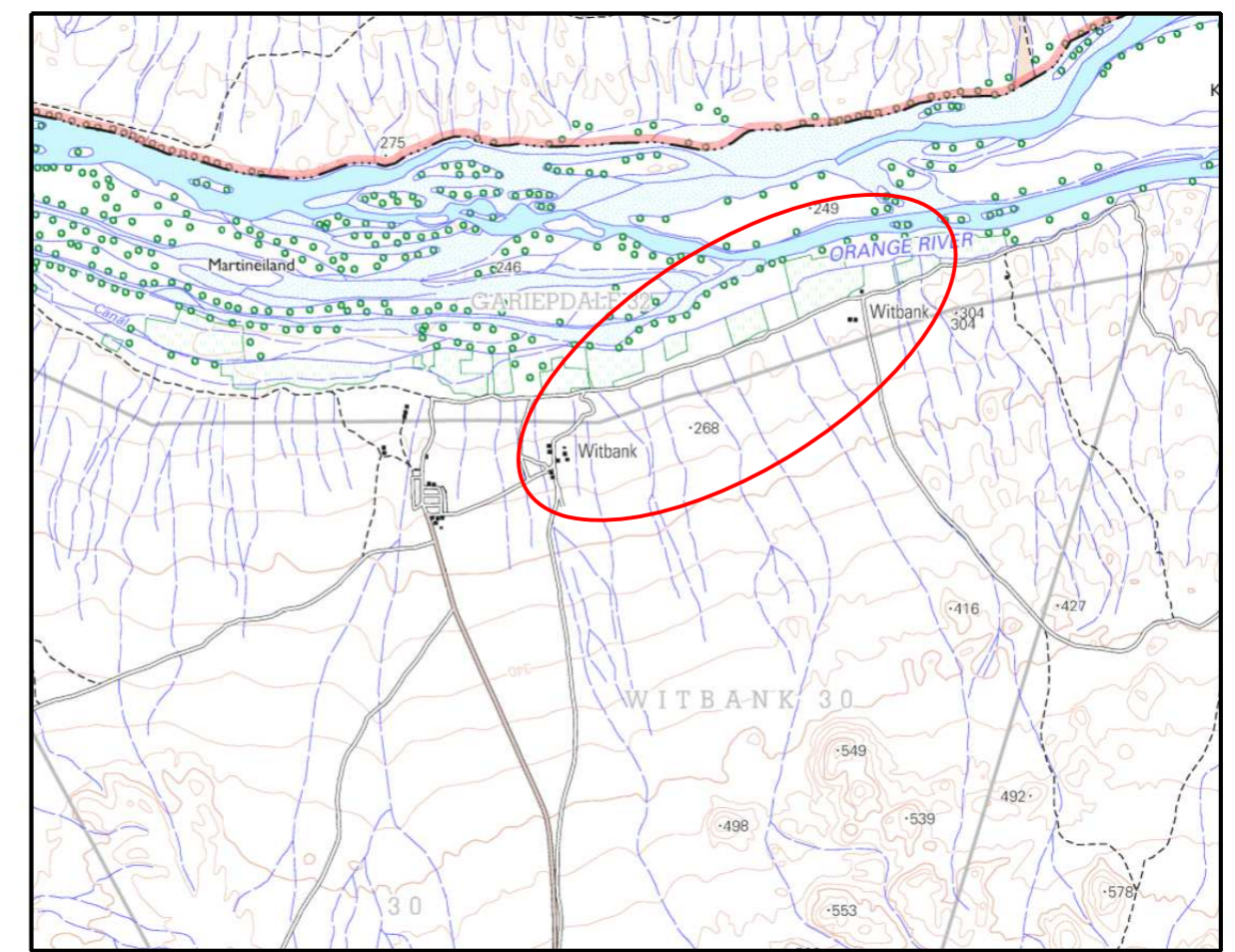


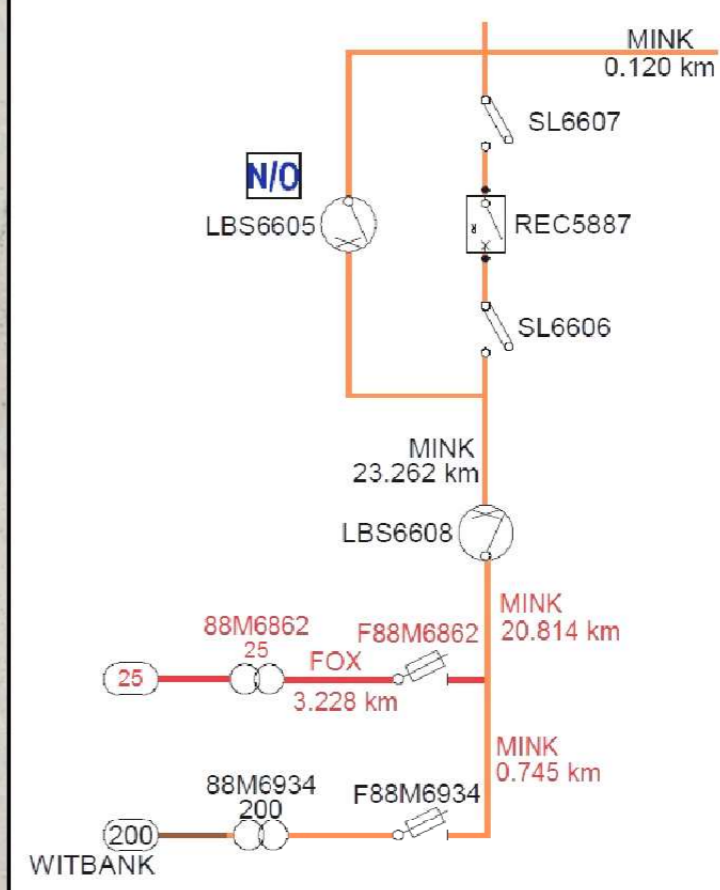
25kVA TRANSFORMER
3228m x 22kV O/H FOX CONDUCTOR



APPROX. POSITION: WGS 84/19 WYWX = 29849.497, +3193022.730



To Springbok
LOCALITY PLAN 2818DC
SCALE 1: 50 000



NB: THIS IS ONLY A PROPOSED
E.N.S. DIAGRAM AND SHOULD
NOT BE USED.
DEPOT TO FINALISE FUSE POSITION
BEFORE COMMISSIONING.

MIDWAY NIEMOLLER
SHEET 1 OF 1

REV	REVISION DESCRIPTION	BY	CHKD	AUTH	DATE	NAMAKWA DISTRICT AREA



SPRINGBOK CNC
FARM RE/52
RIVERPOMP-WITBANK
POFADDER
KHA I MA MUNICIPALITY
NEW 22kV O/H LINE AND 25kVA TRFR

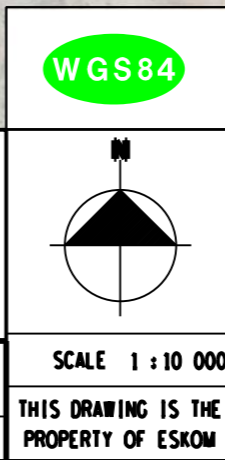
AUTH: C. SOLOMON
DATE: 29/09/2014
CHKD: P. VIVIERS
DATE: 29/09/2014
DRAWN: L. SWART
DATE: 23/09/2014

SBN92780063B		
SET	SHEET	REVISION
S-WC-12865	02	00 00

PORTION OF 2818DC (N) 88M6862
SCALE 1 : 10 000

LAND DEVELOPMENT SECTION
TEL 021-980 3129 FAX 021-980 3053

DESIGN APP: / / /
DATE: / /



COPY OF APPROVED PLAN