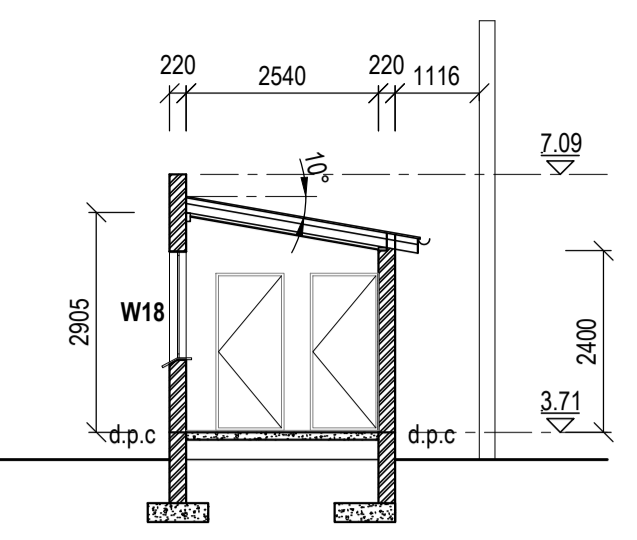


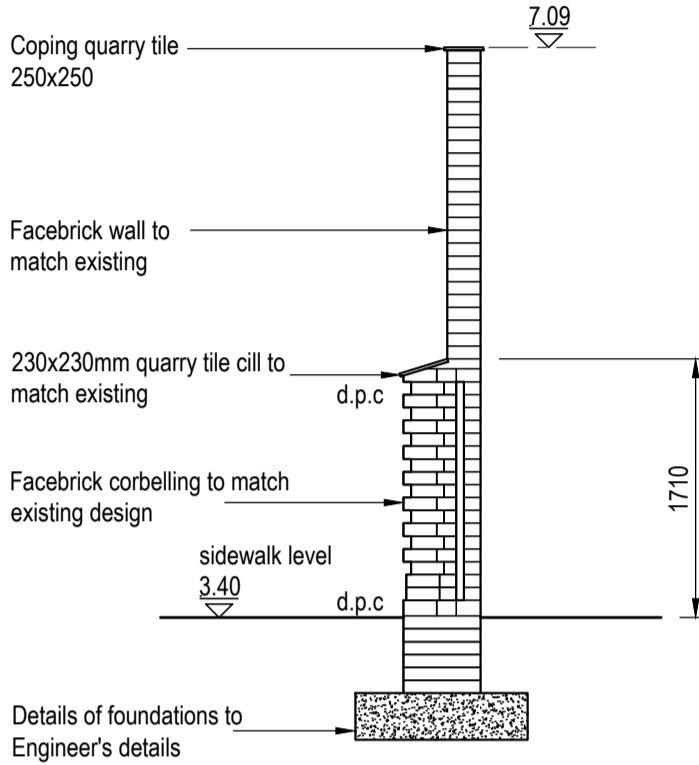
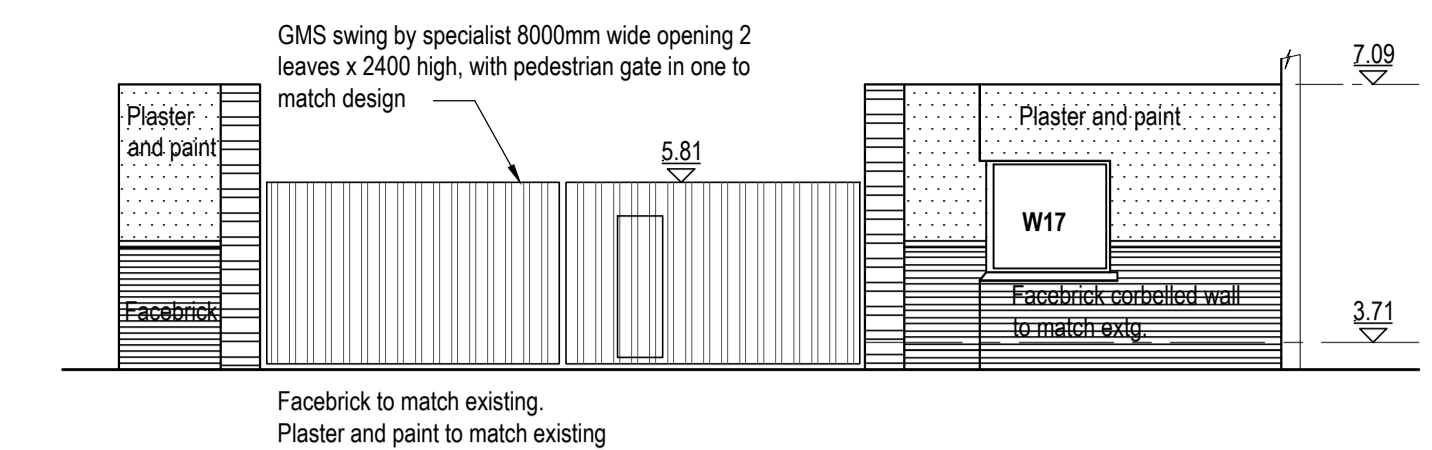
SECTION AA (OFFICE BLOCK)
1:100

Roof:
110x35 SA pine rafter with 10° pitch on 75x52 purlins with fibre cement roof sheeting. Waterproofing/ flashing against wall.
150mm Ø half round gutter & downpipe
Walls:
To match existing outside facebrick. Plaster and paint internally.
Floor:
100mm concrete cement on USB green waterproofing on consolidated fill with a 25mm grano screed acc. to Eng's detail
Windows:
Purpose made aluminium windows to suit openings.
Foundations:
As per Engineer's drawings

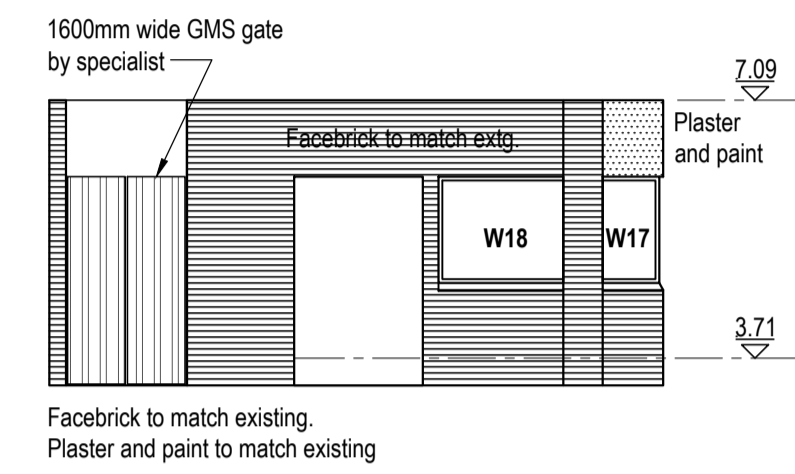
SECTION E-E (GUARD HOUSE)
1:100



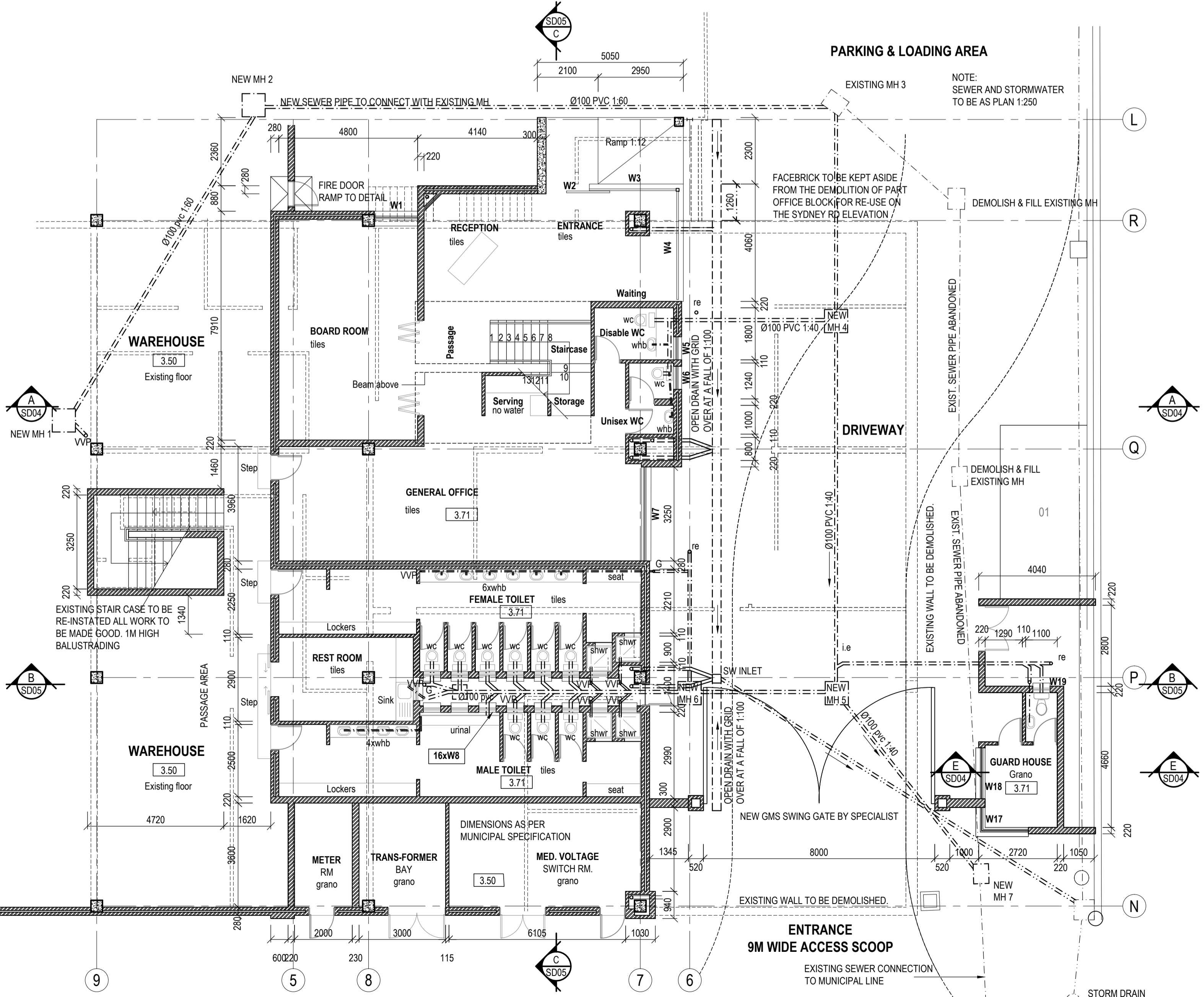
S/E ELEVATION (GUARD HOUSE)
1:100



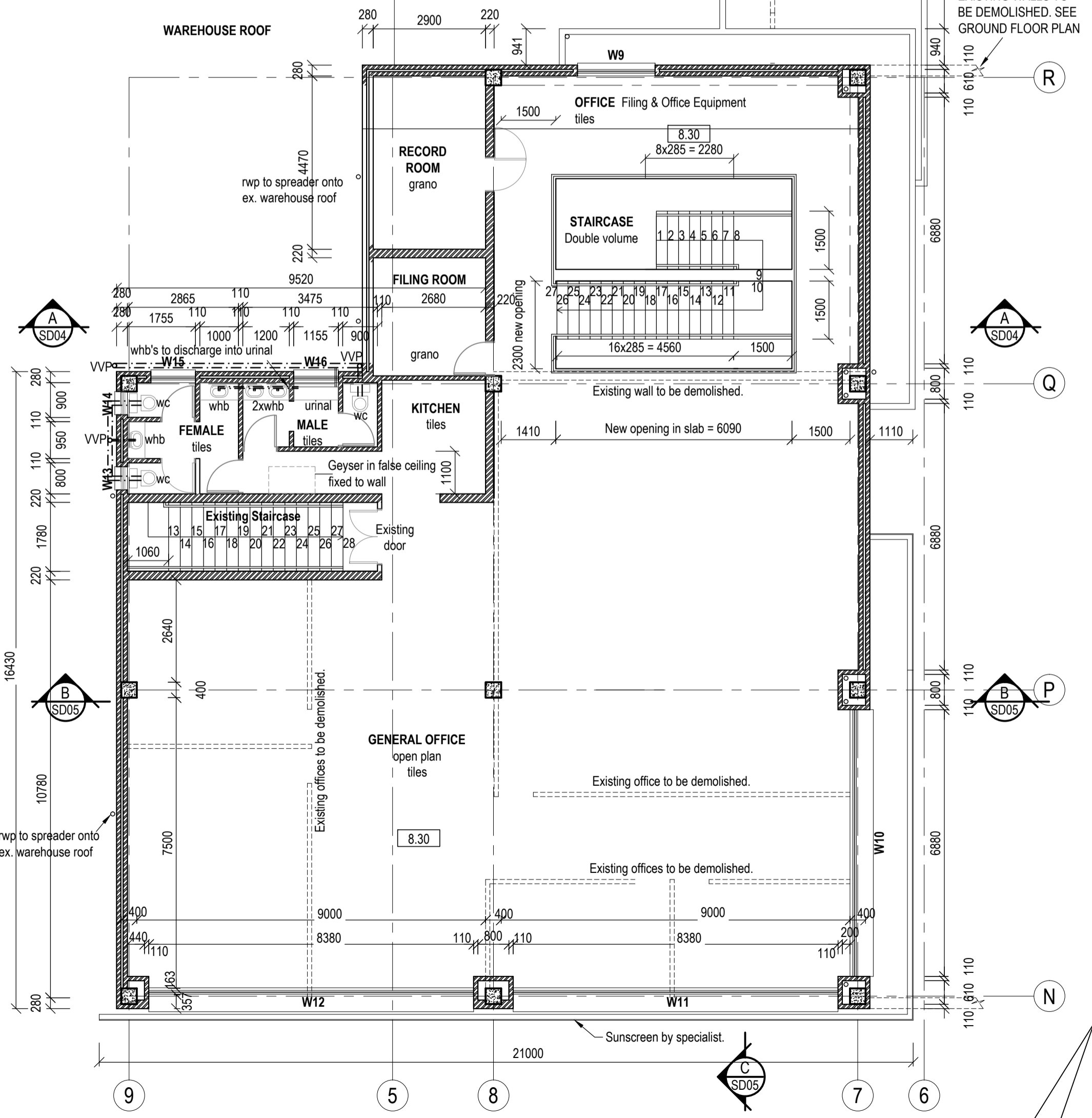
TYPICAL DETAIL OF FACEBRICK CORBELLED WALL
1:50



S/W ELEVATION (GUARD HOUSE)
1:100



GROUND FLOOR PLAN (OFFICE BLOCK)
1:100



FIRST FLOOR PLAN (OFFICE BLOCK)
1:100

no.	date	details	checked	approved

Revisions

Client
296 SYDNEY ROAD SHAREBLOCK (PTY) LTD

Owner's Signature:
Owner's Contact Details: (031) 5397279

Project Description:
PROPOSED ADDITIONS AND ALTERATIONS TO EXISTING WAREHOUSE AND OFFICE BLOCK 296 SYDNEY ROAD ERF 8227 DURBAN

Drawing Title:
OFFICE BLOCK PLANS & SECTION GUARD HOUSE PLAN, ELEVATION & SECTION

Date: MARCH 2014
Scale: AS SHOWN
Project Ref. No.: AA 03-12
Dwg. Type: SUBMISSION DRAWING (SAHRIS)
Drawn: P.C.
Checked: P.C.

africo P. CUNNOOSAAMI
MIArchKZ-NIAPrArch
SACAP No. PrArch 20655

P.O. Box 463 Linkhills 3652
(t) 031 776 3231 (c) 083 718 9081 (f) 086 231 1882
(e) africoarch@mweb.co.za

Drawing number: SD 04
Rev. No.: 0