

APPENDIX C8
COMMENTS RECEIVED



Proof to be included in final EIA Report

SCOPING PHASE

Comments on Scoping Report

Comments captured as captured in
Appendix C9 (Comments & Responses Report)

TO WHOM IT MAY CONCERN

Eskom requirements for work in or near Eskom servitudes.

1. Eskom's rights and services must be acknowledged and respected at all times.
2. Eskom shall at all times retain unobstructed access to and egress from its servitudes.
3. Eskom's consent does not relieve the developer from obtaining the necessary statutory, land owner or municipal approvals.
4. Any cost incurred by Eskom as a result of non-compliance to any relevant environmental legislation will be charged to the developer.
5. If Eskom has to incur any expenditure in order to comply with statutory clearances or other regulations as a result of the developer's activities or because of the presence of his equipment or installation within the servitude restriction area, the developer shall pay such costs to Eskom on demand.
6. The use of explosives of any type within 500 metres of Eskom's services shall only occur with Eskom's previous written permission. If such permission is granted the developer must give at least fourteen working days prior notice of the commencement of blasting. This allows time for arrangements to be made for supervision and/or precautionary instructions to be issued in terms of the blasting process. It is advisable to make application separately in this regard.
7. Changes in ground level may not infringe statutory ground to conductor clearances or statutory visibility clearances. After any changes in ground level, the surface shall be rehabilitated and stabilised so as to prevent erosion. The measures taken shall be to Eskom's satisfaction.
8. Eskom shall not be liable for the death of or injury to any person or for the loss of or damage to any property whether as a result of the encroachment or of the use of the servitude area by the developer, his/her agent, contractors, employees, successors in title, and assignees. The developer indemnifies Eskom against loss, claims or damages including claims pertaining to consequential damages by third parties and whether as a result of damage to or interruption of or interference with Eskom's services or apparatus or otherwise. Eskom will not be held responsible for damage to the developer's equipment.
9. No mechanical equipment, including mechanical excavators or high lifting machinery, shall be used in the vicinity of Eskom's apparatus and/or services, without prior written permission having been granted by Eskom. If such permission is granted the developer must give at least seven working days' notice prior to the commencement of work. This allows time for arrangements to be made for supervision and/or precautionary instructions to be issued by the relevant Eskom Manager

Note: Where and electrical outage is required, at least fourteen work days are required to arrange it.

10. Eskom's rights and duties in the servitude shall be accepted as having prior right at all times and shall not be obstructed or interfered with.
11. Under no circumstances shall rubble, earth or other material be dumped within the servitude restriction area. The developer shall maintain the area concerned to Eskom's satisfaction. The developer shall be liable to Eskom for the cost of any remedial action which has to be carried out by Eskom.
12. The clearances between Eskom's live electrical equipment and the proposed construction work shall be observed as stipulated by *Regulation 15* of the *Electrical Machinery Regulations of the Occupational Health and Safety Act, 1993 (Act 85 of 1993)*.
13. Equipment shall be regarded electrically live and therefore dangerous at all times.
14. In spite of the restrictions stipulated by Regulation 15 of the Electrical Machinery Regulations of the Occupational Health and Safety Act, 1993 (Act 85 of 1993), as an additional safety precaution, Eskom will not approve the erection of houses, or structures occupied or frequented by human beings, under the power lines or within the servitude restriction area.
15. Eskom may stipulate any additional requirements to highlight any possible exposure to Customers or Public to coming into contact or be exposed to any dangers of Eskom plant.
16. It is required of the developer to familiarise himself with all safety hazards related to Electrical plant.
17. Any third party servitudes encroaching on Eskom servitudes shall be registered against Eskom's title deed at the developer's own cost. If such a servitude is brought into being, its existence should be endorsed on the Eskom servitude deed concerned, while the third party's servitude deed must also include the rights of the affected Eskom servitude.

John Geeringh (Pr Sci Nat)(EAPASA)
Senior Consultant Environmental Management
Eskom Transmission Division: Land & Rights
Megawatt Park, D1Y42, Maxwell Drive, Sunninghill, Sandton.
P O Box 1091, Johannesburg, 2000.
Tel: 011 516 7233
Cell: 083 632 7663
Fax: 086 661 4064
E-mail: john.geeringh@eskom.co.za

	<p style="text-align: center;">SCOT</p>	<p style="text-align: center;">Technology</p>
---	--	--

Title: **Renewable Energy Generation Plant Setbacks to Eskom Infrastructure** Unique Identifier: **240-65559775**

Alternative Reference Number: **N/A**

Area of Applicability: **Power Line Engineering**



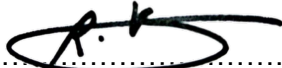
Documentation Type: **Guideline**

Revision: **2**

Total Pages: **9**

Next Review Date: **N/A**

Disclosure Classification: **CONTROLLED DISCLOSURE**

<p>Compiled by</p> <p></p> <p>.....</p> <p>J W Chetty Mechanical Engineer</p> <p>Date: 15 / 09 / 2020</p>	<p>Approved by</p> <p></p> <p>.....</p> <p>B Ntshuntsha Chief Engineer (Lines)</p> <p>Date: 30/10/2020</p>	<p>Authorised by</p> <p></p> <p>.....</p> <p>R A Vajeth Snr Manager (Lines) and SCOT/SC/ Chairperson</p> <p>Date: 30/10/2020</p>
---	--	--

CONTENTS

	Page
EXECUTIVE SUMMARY	3
1. INTRODUCTION	4
2. SUPPORTING CLAUSES.....	4
2.1 SCOPE	4
2.1.1 Purpose	5
2.1.2 Applicability.....	5
2.2 NORMATIVE/INFORMATIVE REFERENCES.....	5
2.2.1 Normative	5
2.2.2 Informative.....	5
2.3 DEFINITIONS.....	6
2.3.1 Disclosure Classification	6
2.4 ABBREVIATIONS.....	6
2.5 ROLES AND RESPONSIBILITIES.....	6
2.6 PROCESS FOR MONITORING	6
2.7 RELATED/SUPPORTING DOCUMENTS.....	6
3. DOCUMENT CONTENT.....	6
3.1 INTERNATIONAL SETBACK COMPARISON	6
3.2 ESKOM REQUIRED SETBACKS	7
4. AUTHORISATION.....	9
5. REVISIONS	9
6. DEVELOPMENT TEAM	9

FIGURES

Figure 1: Horizontal Axis Wind Turbine.....	8
---	---

CONTROLLED DISCLOSURE

When downloaded from the EDMS, this document is uncontrolled and the responsibility rests with the user to ensure it is in line with the authorised version on the system.

EXECUTIVE SUMMARY

In recent decades, the use of wind turbines, concentrated solar plants and photovoltaic plants have been on the increase as it serves as an abundant source of energy. This document specifies proposed setbacks for wind turbines and the reasons for these setbacks from infrastructure as well as setbacks for concentrated solar plants and photovoltaic plants. Setbacks for wind turbines employed in other countries were compared and a general setback to be used by Eskom was suggested for use with wind turbines and other renewable energy generation plants.

CONTROLLED DISCLOSURE

When downloaded from the EDMS, this document is uncontrolled and the responsibility rests with the user to ensure it is in line with the authorised version on the system.

1. INTRODUCTION

During the last few decades, a large amount of wind turbines have been installed in wind farms to accommodate for the large demand of energy and depleting fossil fuels. Wind is one of the most abundant sources of renewable energy. Wind turbines harness the energy of this renewable resource for integration in electricity networks. The extraction of wind energy is its primary function and thus the aerodynamics of the wind turbine is important. There are many different types of wind turbines which will all exhibit different wind flow characteristics. The most common wind turbine used commercially is the Horizontal Axis Wind Turbine. Wind flow characteristics of this turbine are important to analyse as it may have an effect on surrounding infrastructure.

Wind turbines also cause large turbulence downwind that may affect existing infrastructure. Debris or parts of the turbine blade, in the case of a failure, may be tossed behind the turbine and may lead to damage of infrastructure in the wake path.

This document outlines the minimum distances that need to be introduced between a wind turbine and Eskom infrastructure to ensure that debris and / or turbulence would not negatively impact on the infrastructure and future expansion of infrastructure (lines and substation) as per the long term planning scenario.

Safety distances of wind turbines from other structures as implemented by other countries were also considered and the reasons for their selection were noted. All renewable energy developments are approved by The Department of Environmental Affairs, Forestry and Fisheries (DEFF) in terms of NEMA. The DEFF is aware of the setbacks guideline, however they cannot use it in terms of decision making since the setbacks document has no legal standing in SA and it would be outside of their mandate who have been advised to follow the guidelines herein.

Concentrated solar plants and photovoltaic plants setbacks away from substations were also to be considered to prevent restricting possible power line access routes to the substation and possible expansion of substations.

2. SUPPORTING CLAUSES

2.1 SCOPE

This document provides guidance on the safe distance that a wind turbine should be located from any Eskom power line or substation. Although it is not based on any legislative requirement, it is deemed important that Eskom's infrastructure and future network expansion planning is not impeded. The document specifies proposed setback distances for transmission lines (220 kV to 765 kV), distribution lines

CONTROLLED DISCLOSURE

(66 kV to 132 kV) and all Eskom substations. Proposed setbacks for concentrated solar plants and photovoltaic plants are also specified away from substations.

2.1.1 Purpose

Setbacks for wind turbines and power lines / substations are required for various reasons. These include possible catastrophic failure of the turbine blade that may release fragments and which may be thrown onto nearby power lines that may result in damage with associated unplanned outages. Turbulence behind the turbine may affect helicopter flight during routine Eskom live line maintenance and inspections that may lead to safety risk of the aircraft / personnel. Concentrated solar plants and photovoltaic plants setback away from substations were required to prevent substations from being boxed in by these renewable generation plants limiting line route access to the substations and possible future substation expansion.

2.1.2 Applicability

This document is applicable to the siting of all new and existing wind turbines, concentrated solar plants and photovoltaic plants near power lines and substations and in line of site between Eskom telecommunication infrastructure, including future Eskom renewable energy development.

2.2 NORMATIVE/INFORMATIVE REFERENCES

2.2.1 Normative

1. <http://www.envir.ee/orb.aw/class=file/action=preview/id=1170403/Hiiumaa+turbulence+impact+EMD.pdf>.
2. <http://www.energy.ca.gov/2005publications/CEC-500-2005-184/CEC-500-2005-184.PDF>
3. <http://www.adamscountywind.com/Revised%20Site/Windmills/Adams%20County%20Ordinance/Adams%20County%20Wind%20Ord.htm>
4. http://www.dsireusa.org/incentives/incentive.cfm?Incentive_Code=PA11R&RE=1&EE=1
5. <http://www.wind-watch.org/documents/european-setbacks-minimum-distance-between-wind-turbines-and-habitations/>
6. <http://www.publications.parliament.uk/pa/ld201011/ldbills/017/11017.1-i.html>
7. http://www.caw.ca/assets/pdf/Turbine_Safety_Report.pdf
8. Rogers J, Slegers N, Costello M. (2011) A method for defining wind turbine setback standards. Wind energy 10.1002/we.468

2.2.2 Informative

None

CONTROLLED DISCLOSURE

When downloaded from the EDMS, this document is uncontrolled and the responsibility rests with the user to ensure it is in line with the authorised version on the system.

2.3 DEFINITIONS

Definition	Description
Setback	The minimum distance between a wind turbine and boundary line/dwelling/road/infrastructure/servitude etc.
Flicker	Effect caused when rotating wind turbine blades periodically cast shadows
Tip Height	The total height of the wind turbine ie. Hub height plus half rotor diameter (see Figure1)

2.3.1 Disclosure Classification

Controlled disclosure: controlled disclosure to external parties (either enforced by law, or discretionary).

2.4 ABBREVIATIONS

Abbreviation	Description
None	

2.5 ROLES AND RESPONSIBILITIES

All parties involved in the positioning wind turbines, concentrated solar plants and photovoltaic plants near power lines/substations should endeavour to follow the setbacks outlined in this guideline.

2.6 PROCESS FOR MONITORING

Agreement by Eskom in writing on any encroachment of the setbacks distance should be requested via the Grid Access Unit. Eskom should ensure that every application for renewable energy (RE) developments are informed about the existence of the setbacks document early in the RE planning process to ensure maximum effect. This includes Eskom RE development.

2.7 RELATED/SUPPORTING DOCUMENTS

None

3. DOCUMENT CONTENT

3.1 INTERNATIONAL SETBACK COMPARISON

Wind Turbine setbacks employed by various countries were considered. It was found that setbacks were determined for various reasons that include noise, flicker, turbine blade failure and wind effects as well as

CONTROLLED DISCLOSURE

future network expansion planning. The distances (setbacks) varied based on these factors and were influenced by the type of infrastructure

Wind turbine setbacks varied for roads, power lines, dwellings, buildings and property and it was noted that the largest setbacks were employed for reasons of noise and flicker related issues [1-7]. Very few countries specified setbacks for power lines.

The literature survey [1-7], yielded information about studies and experiments were conducted to determine the distance that a broken fragment from a wind turbine might be thrown. Even though of low probability of hitting a power line [5.0×10^{-5} ^[8]], the distances recorded were significant [750m ^[8]]

Wind turbines may also cause changes in wind patterns with turbulent effects behind the hub. These factors influence the wind turbine setbacks specified in this document.

Setbacks were thus introduced to prevent any damage to Eskom infrastructure and impedance to operation and future network expansion planning.

Renewable energy plant can also limit access into substations for power lines of all voltages. A setback distance should therefore be employed to prevent substations from being boxed in by these generation plants and preventing future network expansion. These setback distances are specified in this document.

3.2 ESKOM RECOMMENDED SETBACKS

Any renewable energy applicant should engage with Eskom to determine if their plant layout or positioning of turbines, CSP or PV infrastructure would encroach on the proposed setbacks provided for in this guideline and to ensure that their planning and Eskom's future expansion planning is taken into account. Eskom must inform all renewable energy developers, including Eskom RE, of the existence of the setbacks guideline early in the development process. Should there be an encroachment, a formal request should be sent to and accepted by Eskom in writing if any of the below mentioned setback distances are infringed upon:

- Eskom requests a setback distance of 3 times the tip height of the wind turbine from the edge of the closest Eskom servitude (including vacant servitudes) for transmission lines (220kV to 765kV) and Substations.
- Eskom requests a setback distance of 1 times the tip height of the wind turbine from the edge of the closest Eskom servitude (including vacant servitudes) for distribution lines (66 kV to 132 kV) and Substations.

CONTROLLED DISCLOSURE

- A written request should be sent to Eskom via the Grid Access Unit regarding any proposed wind turbine, concentrated solar plants and photovoltaic activity within a 5 km radius of a substation for Eskom to comment on.
- Where concentrated solar plants, photovoltaic structures, battery storage systems (BESS) and other renewable generation plants fall within a 2 km radius of the closest point of a transmission or distribution substation (66kV to 765kV), a written agreement with Eskom is recommended during the planning phase of such plant or structures to ensure Eskom's future planning is not impeded.
- Applicants should not position any wind turbine in the line of site between and two Eskom Radio Telecommunication masts. It should be proven that Eskom radio telecommunication systems (mainly microwave systems) will not be affected in any way by wind turbines due to the criticality of this infrastructure in terms of network operation. Eskom Telecommunications should be engaged on this matter.
- If the position or size of any turbine changes and subsequently infringes on any of the above stated setbacks, a request for relaxation must be sent through to Eskom as per the point mentioned above.

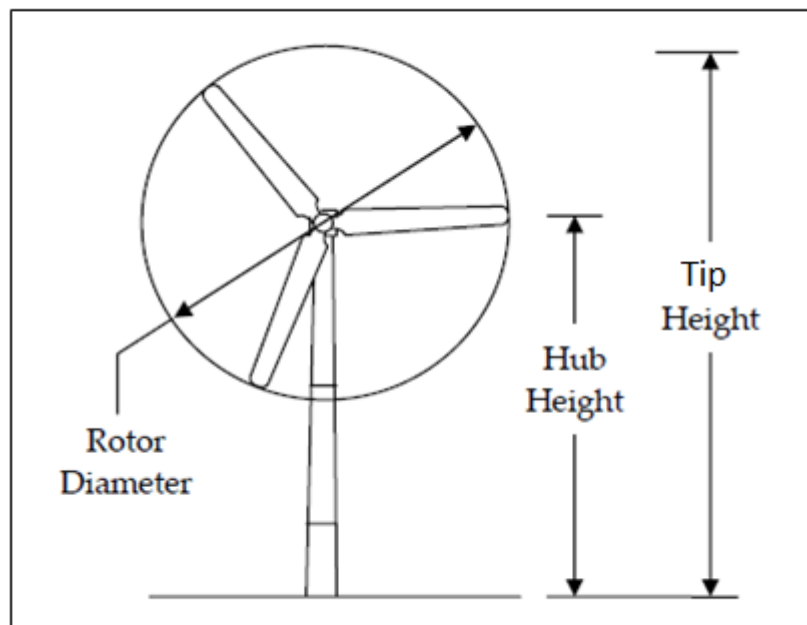


Figure 1: Horizontal Axis Wind Turbine [2]

CONTROLLED DISCLOSURE

4. AUTHORISATION

This document has been seen and accepted by:

Name & Surname	Designation
V Naidoo	Chief Engineer
Dr P Pretorius	Electrical Specialist
J Geeringh	Snr Consultant Environ Mngt
B Haridass	Snr Consultant Engineer
B Ntshunsha	Chief Engineer
R Vajeth	Snr Manager (Lines)
D A Tunncliff	Snr Manager L&R (Acting)
B Branfield	Snr Consultant Engineer

5. REVISIONS

Date	Rev.	Compiler	Remarks
November 2013	0	J W Chetty	First Publication - No renewable energy generation plant setback specification in existence.
October 2018	1	JW Chetty	Modification to sub-section 3.2 to provide more clarity for application procedure.
June 2020	2	JW Chetty	Content within the guideline was re-worded to explain the benefits of mutual agreements between the applicants and ESKOM rather than the application being a legal obligation.

6. DEVELOPMENT TEAM

The following people were involved in the development of this document:

Jonathan Chetty (Mechanical Engineer)

Vivendhra Naidoo (Chief Engineer)

Dr Pieter Pretorius (Electrical Specialist)

John Geeringh (Snr Consultant Environ Mngt)

Bharat Haridass (Snr Consultant Engineer)

Riaz Vajeth (Snr Manager (Lines))

Bruce Ntshunsha (Chief Engineer)

David Tunncliff (Snr Manager L&R Acting)

CONTROLLED DISCLOSURE

Our Ref:



an agency of the
Department of Arts and Culture

T: +27 21 462 4502 | F: +27 21 462 4509 | E: info@sahra.org.za
South African Heritage Resources Agency | 111 Harrington Street | Cape Town
P.O. Box 4637 | Cape Town | 8001
www.sahra.org.za

Enquiries: Natasha Higgitt
Tel: 021 462 4502
Email: nhiggitt@sahra.org.za
CaseID: 18363

Date: Tuesday April 26, 2022
Page No: 1

Interim Comment

In terms of Section 38(3), 38(8) of the National Heritage Resources Act (Act 25 of 1999)

Attention: Savannah Environmental (Pty) Ltd

PO Box 148
Sunninghill
2157

Fountain Solar PV1 (Pty) Ltd is proposing the development of a Photovoltaic (PV) Solar Energy Facility and associated infrastructure on Portion 1 of the Farm Riet Fountain No.6, located approximately 10km east of De Aar within the Emthanjeni Local Municipality in the Northern Cape Province. The facility will have a contracted capacity of up to 100MW and will be known as Fountain Solar PV1. The project is planned as part of a cluster of renewable energy facilities known as Pixley Park, which includes three (3) additional 100MW Solar PV Facilities (Wagt Solar PV1, Carolus PV1, and Rietfontien Solar PV), and grid connection infrastructure connecting the facilities to the existing Hydra Substation. The projects will all connect to the new Vetlaagte Main Transmission Substation (MTS) via the Wag 'n Bietjie MTS. Infrastructure associated with the Solar PV Facility will include the following: Solar PV array comprising bifacial PV modules and mounting structures, using single axis tracking technology Inverters and transformers Cabling between the panels Battery Energy Storage System (BESS) Laydown areas, construction camps, site offices 12m wide Access Road and entrance gate from the [xx rod] to project site and switching station 6m wide internal distribution roads Operations and Maintenance Building, Site Offices, Ablutions with conservancy tanks, Storage Warehouse, workshop, Guard House Onsite 132kV IPP Substation, including the HV Step-up transformer, and MV Interconnection building 132kV Overhead Power Line (OHPL) – 30m height from the switching station to the Main Transmission Substation (MTS) located on farms Vetlaagte and Wagt, which is to be handed back to Eskom (a separate EA is being applied for in this regard) Extension of the 132kV Busbar at the MTS 132kV Feeder Bay at the MTS Extension of the 400kV Busbar at the MTS Installation of a new 400/132kV Transformer and bay at the MTS A development footprint of approximately 300ha has been identified within the broader project site (approximately 8200ha in extent), by the developer for the development of the Fountain Solar PV1 Facility, which is proposed in response to the identified objectives of the national and provincial government and local and district municipalities to develop renewable energy facilities for power generation purposes. It is the developer's intention to bid the proposed project under the Department of Mineral Resources and Energy's (DMRE's) Renewable

Our Ref:



an agency of the
Department of Arts and Culture

T: +27 21 462 4502 | F: +27 21 462 4509 | E: info@sahra.org.za
South African Heritage Resources Agency | 111 Harrington Street | Cape Town
P.O. Box 4637 | Cape Town | 8001
www.sahra.org.za

Enquiries: Natasha Higgitt
Tel: 021 462 4502
Email: nhiggitt@sahra.org.za

Date: Tuesday April 26, 2022
Page No: 2

CaseID: 18363

Energy Independent Power Producer Procurement (REIPPP) Programme (or similar programme), with the aim of evacuating the generated power into the national grid. This will aid in the diversification and stabilisation of the country's electricity supply, in line with the objectives of the Integrated Resource Plan (IRP), with Fountain Solar PV1 set to inject up to 100MW into the national grid.

Savannah Environmental (Pty) Ltd has been appointed by Fountain Solar PV 1 (Pty) Ltd to conduct an Environmental Authorisation (EA) Application for the proposed Fountain Solar PV 1 Facility on Portion 1 of the Farm Riet Fountain No.6, near De Aar, Northern Cape Province.

A draft Scoping Report (DSR) has been submitted in terms of the National Environmental Management Act, 1998 (NEMA) and the 2017 NEMA Environmental Impact Assessment (EIA) Regulations. The proposed development will include the construction of a solar array, inverters and transformers, cabling between panel, Battery Energy Storage System (BESS), laydown area, construction camps and site offices, access road and entrance gate, internal distribution roads, operations and maintenance building, ablutions, storage warehouse, workshop and guard house, and on-site IPP substation. It is noted that the proposed powerline will be assessed as part of a separate application.

CTS Heritage have been appointed to provide heritage specialist input as required by section 24(4)b(iii) of NEMA and section 38(8) of the National Heritage Resources Act, Act 25 of 1999 (NHRA).

Lavin, J. 2022. Desktop Heritage Screening Assessment for the proposed Development of the Fountain Solar PV1 Facility and associated Grid Connection Infrastructure near De Aar, Northern Cape Province.

The heritage screener found that the project area has not been previously surveyed and that heritage resources such as Stone Age lithics, rock engravings, historical structures and graves have been identified in the surrounding areas. The proposed development footprint is located in an area of very high palaeontological sensitivity. The report recommends that a full Heritage Impact Assessment (HIA) be undertaken for the proposed development.

Interim Comment

The SAHRA Archaeology, Palaeontology and Meteorites (APM) Unit notes the pending HIA and requests that the HIA comply with section 38(3) of the NHRA as required by section 38(8) of the NHRA. The results of the Visual Impact Assessment must also be taken into account as part of the HIA.

The archaeological component of the HIA must be conducted by a qualified archaeologist and must comply

Developments of the Fountain Solar PV1 Facility and associated Grid Connection Infrastructure near De Aar, Northern Cape Province

Our Ref:



an agency of the
Department of Arts and Culture

T: +27 21 462 4502 | F: +27 21 462 4509 | E: info@sahra.org.za
South African Heritage Resources Agency | 111 Harrington Street | Cape Town
P.O. Box 4637 | Cape Town | 8001
www.sahra.org.za

Enquiries: Natasha Higgitt
Tel: 021 462 4502
Email: nhiggitt@sahra.org.za
CaseID: 18363

Date: Tuesday April 26, 2022
Page No: 3

with the SAHRA 2007 Minimum Standards: Archaeological and Palaeontological Components of Impact Assessment Reports (see www.asapa.co.za or www.aphp.org.za for a list of qualified archaeologists).

The proposed development footprint is located in an area of very high sensitivity as per the SAHRIS PalaeoSensitivity Map. Therefore, a field-based Palaeontological Impact Assessment must be undertaken by a qualified palaeontologist. (See <https://www.palaeosa.org/heritage-practitioners.html> for a list of qualified palaeontologists). The report must comply with the 2012 Minimum Standards: Palaeontological Components of Heritage Impact Assessments.

Any other heritage resources as defined in section 3 of the NHRA that may be impacted, such as built structures over 60 years old, sites of cultural significance associated with oral histories, burial grounds and graves, graves of victims of conflict, and cultural landscapes or viewsapes must also be assessed.

Further comments will be issued upon receipt of the above requested reports and the Draft EIA inclusive of appendices.

Should you have any further queries, please contact the designated official using the case number quoted above in the case header.

Yours faithfully

Natasha Higgitt
Heritage Officer
South African Heritage Resources Agency

Developments of the Fountain Solar PV1 Facility and associated Grid Connection Infrastructure near De Aar, Northern Cape Province

Our Ref:



an agency of the
Department of Arts and Culture

T: +27 21 462 4502 | F: +27 21 462 4509 | E: info@sahra.org.za
South African Heritage Resources Agency | 111 Harrington Street | Cape Town
P.O. Box 4637 | Cape Town | 8001
www.sahra.org.za

Enquiries: Natasha Higgitt
Tel: 021 462 4502
Email: nhiggitt@sahra.org.za
CaseID: 18363

Date: Tuesday April 26, 2022
Page No: 4

Phillip Hine
Manager: Archaeology, Palaeontology and Meteorites Unit
South African Heritage Resources Agency

ADMIN:

Direct URL to case: <https://sahris.sahra.org.za/node/595509>



forestry, fisheries & the environment

Department:
Forestry, Fisheries and the Environment
REPUBLIC OF SOUTH AFRICA

Private Bag X 447, Pretoria, 0001, Environment House, 473 Steve Biko Road, Pretoria, Tel: +27 12 399 9000, Fax: +27 86 625 1042

Reference: Pixley Park RE Project

Enquiries: Mrs. Portia Makilla

Telephone: 012 399 9411/9627 **E-mail:** pmakilla@environment.gov.za

Ms Nicolene Venter
Savannah Environmental
P.O. Box 148
SUNNINGHILL
2157

Telephone Number: +27 (11) 656 3237
Email Address: publicprocess@savannahsa.com

PER E-MAIL

Dear Ms Venter

COMMENTS ON THE DRAFT SCOPING REPORTS FOR THE CAROLUS, FOUNTAIN, RIET FOUNTAIN & WAGT SOLAR PV1 FACILITIES, NORTHERN CAPE PROVINCE

The Directorate: Biodiversity Conservation has reviewed and evaluated the report.

The Directorate: Biodiversity Conservation has reviewed and evaluated the report and does not have any objections to the proposed Draft Scoping Reports & Plan of Studies.

Please also note that any development within very highly sensitive biodiversity area; where residual impacts will result with very high significant impacts rating will not be supported.

NB: The Public Participation Process documents related to Biodiversity EIA for review and queries should be submitted to the Directorate: Biodiversity Conservation at Email; BCAdmin@environment.gov.za for attention of Mr. Seoka Lekota.

Yours faithfully

Mr Seoka Lekota
Control Biodiversity Officer Grade B: Biodiversity Conservation
Department of Forestry, Fisheries & the Environment
Date: 16/05/2022



Batho pele- putting people first



forestry, fisheries & the environment

Department:
Forestry, Fisheries and the Environment
REPUBLIC OF SOUTH AFRICA

Private Bag X 447· PRETORIA 0001· Environment House 473 Steve Biko Road, Arcadia, · PRETORIA

DFFE Reference: 14/12/16/3/3/2/2154,2155,2156,2157

Enquiries: Ms Thulisile Nyalunga

Telephone: (012) 399 9405 **E-mail:** TNyalunga@environment.gov.za

Ms Jo-Anne Thomas
Savannah Environmental (Pty) Ltd
PO Box 148
SUNNINGHILL
2191

Cellphone Number: (011) 656 3237
Email Address: joanne@savannahsa.com

PER MAIL / E-MAIL

Dear Ms Thomas

COMMENTS ON THE DRAFT SCOPING REPORTS FOR THE PROPOSED DEVELOPMENT OF CAROLUS SOLAR PV1, FOUNTAIN SOLAR PV1, RIET FOUNTAIN SOLAR PV1 AND WAGT SOLAR PV1 FACILITIES AND THEIR RESPECTIVE ASSOCIATED INFRASTRUCTURE TO BE LOCATED ON THE SITES APPROXIMATELY 10KM EAST OF DE AAR WITHIN THE EMTHANJENI LOCAL MUNICIPALITY AND THE PIXLEY KA SEME DISTRICT MUNICIPALITY IN THE NORTHERN CAPE PROVINCE

The Applications for Environmental Authorisation and the Draft Scoping Reports (SR's) dated April 2022 and received by the Department on 14 April 2022, refer.

This letter serves to inform you that the following information must be included to the Final Scoping Report:

(a) Written confirmation from Eskom that there is capacity in the network for the proposed projects to feed into, should a positive decision be obtained.

(b) Listed Activities and Application Form

- Please ensure that all relevant listed activities are applied for, are specific and can be linked to the development activity or infrastructure as described in the project description. Please provide the details, capacities and thresholds of the specific project infrastructure, not a repetition of the listed activity thresholds (i.e., a description of the dangerous goods facility infrastructure, capacity and location, and the length and width of the main access roads.
- If the activities applied for in the application form differ from those mentioned in the final SR, an amended application form must be submitted. Please note that the Department's application form template has been amended and can be downloaded from the following link <https://www.environment.gov.za/documents/forms>.

(c) Layout & Sensitivity Maps

- The sensitivity Maps included in the reports is very confusing to understand. The sensitivity map submitted gives the impression that the proposed projects will be located on Non-Developable Areas as well as Ecological Support Areas. Kindly ensure, when submitting the final Scoping Report, that the proposed

development footprints and or development area are superimposed on the sensitivity map. The map and the legend must be clear on the location of the proposed projects in relation to the sensitive areas.

- Each report, for the proposed Carolas, Fountain, Riet Fountain and Wagt Solar PV1 facilities, must also include a sensitivity map that shows all four (04) projects as part of one sensitivity map.
- Please provide a layout map which indicates the following:
 - All supporting onsite infrastructure e.g. roads;
 - The location of sensitive environmental features on site e.g. CBAs, heritage sites, wetlands, drainage lines etc. that will be affected,
 - Buffer areas; and
 - All “no-go” areas.
 - The above map must be overlain with a sensitivity map and a cumulative map which shows existing solar power plants and their associated infrastructure.
 - Please be advised that Google maps will not be accepted.

(d) Public Participation Process

- The final SR must provide evidence that all identified and relevant commenting authorities have been given an opportunity to comment on the proposed development, including but not limited to the Northern Cape Department of Agriculture, Environmental Affairs, Rural Development and Land Reform, Fisheries and the Environment (DFFE): Biodiversity Conservation (BCAdmin@environment.gov.za), the Department of Water and Sanitation, the relevant heritage authorities, and the affected district and local municipalities.
- Proof of correspondence with the various stakeholders must be included in the Final SR. Should you be unable to obtain comments, proof must be submitted to the Department of the attempts that were made to obtain comments. The Public Participation Process must be conducted in terms of Regulation 39, 40 41, 42, 43 & 44 of the EIA Regulations 2014, as amended and the approved Public Participation Plan.
- A comments and response trail report (C&R) must be submitted with the final SR. The C&R report must be a separate document from the main report and the format must be in the table format, which reflects the details of the interested and affected parties (I&APs) and the date comments were received, actual comments received, and responses provided. Please ensure that all issues raised and comments received during the circulation of the SR from registered I&APs and organs of state which have jurisdiction (including this Department’s comments) in respect of the proposed activity are adequately addressed. Comments made by I&APs must be comprehensively captured (copy verbatim if required) and responded to clearly and fully. Please note that a response such as “Noted” is not regarded as an adequate response to I&AP’s comments.

(e) Specialist Assessments to be conducted in the EIA phase

- Specialist studies must include a detailed description of the study’s methodology, an indication of the locations and descriptions of the development footprint, and all other associated infrastructures that they have assessed and are recommending for authorisation.
- The specialist studies must also provide a detailed description of all limitations to their studies. All specialist studies must be conducted in the right season and providing that as a limitation, will not be accepted.
- Should the appointed specialists specify contradicting recommendations, the EAP must clearly indicate the most reasonable recommendation and substantiate this with defensible reasons; and where necessary, include further expertise advice.
- Should the specialist studies require additional studies to be undertaken, these must be commissioned and included in the draft EIA reports for public comment.
- Declaration forms must be provided for all specialist studies to be conducted.

- It is further brought to your attention that Procedures for the Assessment and Minimum Criteria for Reporting on identified Environmental Themes in terms of Sections 24(5)(a) and (h) and 44 of the National Environmental Management Act, 1998, when applying for Environmental Authorisation, which were promulgated in Government Notice No. 320 of 20 March 2020 (i.e. “the Protocols”), and in Government Notice No. 1150 of 30 October 2020 (i.e. protocols for terrestrial plant and animal species), have come into effect. Please note that specialist assessments must be conducted in accordance with these protocols, except where the applicant provides proof to the competent authority that the specialist assessment affected by these protocols had been commissioned before the date on which the protocols came into effect, in which case Appendix 6 of the Environmental Impact Assessment Regulations, 2014, as amended, will apply.
- Please note further that the protocols require certain specialists’ to be SACNASP registered. Refer to the relevant protocols in this regard.
- Please include a table in the final SR summarising the specialist studies required by the Screening Tool, a column indicating whether these studies will be conducted or not, and a column with motivation for any studies that will not be undertaken. Please note that if any of the specialists’ studies and requirements recommended in the Department’s Screening Tool are not commissioned, motivation for such must be provided in the report, per the requirements of the Protocols.
- Where specialist studies are conducted in-house or by a specialist other than a suitably qualified specialist in the relevant field per the requirements of the protocols, such specialist reports must be peer reviewed by a suitably qualified external specialist in the relevant field.

(f) Cumulative Assessment to be conducted in the EIA phase

- Should there be any other similar projects within a 30km radius of the proposed development site, the cumulative impact assessment for all identified and assessed impacts must be refined to indicate the following:
 - Identified cumulative impacts must be clearly defined, and where possible the size of the identified impact must be quantified and indicated, i.e. hectares of cumulatively transformed land.
 - Detailed process flow and proof must be provided, to indicate how the specialist’s recommendations, mitigation measures and conclusions from the various similar developments in the area were taken into consideration in the assessment of cumulative impacts and when the conclusion and mitigation measures were drafted for this project.
 - The cumulative impacts significance rating must also inform the need and desirability of the proposed development.
 - A cumulative impact environmental statement on whether the proposed development must proceed.

General

You are further reminded to comply with Regulation 21(1) of the NEMA EIA Regulations 2014, as amended, which states that:

“If S&EIR must be applied to an application, the applicant must, within 44 days of receipt of the application by the competent authority, submit to the competent authority a scoping report which has been subjected to a public participation process of at least 30 days and which reflects the incorporation of comments received, including any comments of the competent authority”

You are further reminded that the final SR to be submitted to this Department must comply with all the requirements in terms of the scope of assessment and content of Scoping reports in accordance with Appendix 2 and Regulation 21(1) of the EIA Regulations 2014, as amended.

Further note that in terms of Regulation 45 of the EIA Regulations 2014, as amended, this application will lapse if the applicant fails to meet any of the timeframes prescribed in terms of these Regulations, unless an extension has been granted in terms of Regulation 3(7).

You are hereby reminded of Section 24F of the National Environmental Management Act, Act No. 107 of 1998, as amended, that no activity may commence prior to an Environmental Authorisation being granted by the Department.

Yours sincerely



Ms Millicent Solomons
Acting Chief Director: Integrated Environmental Authorisations
Department of Forestry, Fisheries and the Environment
Letter signed by: Ms Sindiswa Dlomo
Designation: Deputy Director: National Infrastructure Projects
Date: 19 May 2022

cc:	Mr Warren Morse	Carolus, Fountain, Riet Fountain and Wagt, Fountain Solar PV1 (Pty) Ltd	Email: warren@mulilo.com
	Mr Bryan Fisher	Northern Cape Department of Agriculture, Environmental Affairs, Rural Development and Land Reform	Email: Bfisher@ncpg.gov.za
	Mr Isak Visser	Emthanjeni Local Municipality	Email: visser@emthanjeni.co.za

Comments received during initiation of
project

Savannah Public Process

From: Ackerman Pieter <AckermanP@dws.gov.za>
Sent: Thursday, 31 March 2022 07:58
To: Savannah Public Process
Subject: RE: SE3272: PIXLEY PARK CLUSTER OF RENEWABLE ENERGY FACILITIES & ASSOCIATED INFRASTRUCTURE - Background Information Document

That's good news, thanks

From: Savannah Public Process [mailto:publicprocess@savannahsa.com]
Sent: 31 March 2022 06:40 AM
To: Ackerman Pieter <AckermanP@dws.gov.za>
Cc: Feni Ntombizanele (KBY) <FeniN2@dws.gov.za>; Mulaudzi Nkhumbudzeni <MulaudziN@dws.gov.za>; Kuse Lumka <KuseL@dws.gov.za>; Roets Wietsche <RoetsW@dws.gov.za>; Meulenbeld Paul <MeulenbeldP@dws.gov.za>; Khosa Tsunduka <KhosaT@dws.gov.za>; Tonjeni Mzuvukile <TonjeniM@dws.gov.za>
Subject: RE: SE3272: PIXLEY PARK CLUSTER OF RENEWABLE ENERGY FACILITIES & ASSOCIATED INFRASTRUCTURE - Background Information Document

Hi Pieter,

Thank you for your e-mail below.

We can confirm that the applicant has been informed of the WUL requirements for these four (4) applications and that they need to submit it to DWS' Regional Office.

Please be informed that DWS Regional Office is a registered Organ of State on the project database.

Kind regards,



t: +27 (0)11 656 3237
f: +27 (0) 86 684 0547

Nicolene Venter

Public Participation and Social
Consultant

e: publicprocess@savannahsa.com
c: +27 (0)60 978 8396

SAWEA Award for Leading Environmental Consultant on Wind Projects in 2013 & 2015

Processing of personal information / POPIA compliance

We respect your privacy and acknowledge that this e-mail will contain Personal Information, which may belong to you, others and/or to your organization and which we will process. The processing of your personal information by Savannah Environmental may be included in reports submitted to governmental departments or on our public platforms, which processing will be done in accordance with our processing notice housed on our website - <https://savannahsa.com/privacy-policy-privacy-policy-page/>. By sending and/or receiving this message, you hereby consent to the lawful processing of personal information for the intended purposes, as described by the Protection of Personal Information Act, 2013 (Act No 4 of 2013).

This email has been scanned for viruses and malware, and automatically archived by **Mimecast SA (Pty) Ltd**, and is believed to be clean

From: Ackerman Pieter <AckermanP@dws.gov.za>
Sent: Monday, 28 March 2022 08:36
To: Savannah Public Process <publicprocess@savannahsa.com>
Cc: Nicolene Venter <nicolene@savannahsa.com>; Feni Ntombizanele (KBY) <FeniN2@dws.gov.za>; Mulaudzi Nkhumbudzeni <MulaudziN@dws.gov.za>; Kuse Lumka <KuseL@dws.gov.za>; Roets Wietsche <RoetsW@dws.gov.za>; Meulenbeld Paul <MeulenbeldP@dws.gov.za>; Khosa Tsunduka <KhosaT@dws.gov.za>; Tonjeni Mzuvukile

<TonjeniM@dws.gov.za>

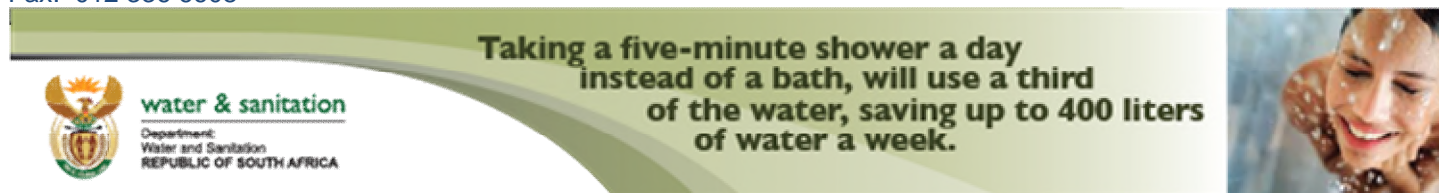
Subject: RE: SE3272: PIXLEY PARK CLUSTER OF RENEWABLE ENERGY FACILITIES & ASSOCIATED INFRASTRUCTURE - Background Information Document

Hi Nicolene

Please apply for water use authorisation where necessary through the DWS Regional Office

Regards

Pieter Ackerman (PrLArch)
Chief Landscape Architect
Department of Water and Sanitation (DWS), South Africa
Sub Directorate Instream Water Use
Tel: 012 336 8217
Cell: 082 807 3512
Fax: 012 336 6608



From: Savannah Environmental Public Process [<mailto:publicprocess@savannahsa.com>]

Sent: 25 March 2022 02:36 PM

To: Ackerman Pieter <AckermanP@dws.gov.za>

Cc: Nicolene Venter <nicolene@savannahsa.com>

Subject: SE3272: PIXLEY PARK CLUSTER OF RENEWABLE ENERGY FACILITIES & ASSOCIATED INFRASTRUCTURE - Background Information Document

**PIXLEY PARK CLUSTER OF RENEWABLE ENERGY FACILITIES AND ASSOCIATED INFRASTRUCTURE
NEAR DE AAR, NORTHERN CAPE PROVINCE
(DFFE Reference Nos.: To be Issued)**

Dear Stakeholder and Interested & Affected Party,

Mulilo Renewable Project Developments (Pty) Ltd proposes the development of a cluster of renewable energy facilities and associated infrastructure, including Electrical Grid Infrastructure (EGI), ~10km east of the town of De Aar in the Northern Cape Province. The cluster will be known as the Pixley Park and will consist of three (3) up to 100MW solar photovoltaic (PV) energy facilities and one solar PV facility up to 200MW (up to 500MW combined). The grid connection infrastructure for all projects will connect to the new Vetlaagte Main Transmission Substation (MTS) or the Wag 'n Bietjie MTS.

Each renewable energy facility will be constructed as a separate stand-alone project and therefore, separate Scoping and Environmental Impact Assessment (EIA) processes will be undertaken for each of the renewable energy facilities. Similarly, the grid connection solution will be subjected to separate Basic Assessment (BA) processes which will consider feasible alternatives for the power line corridors.

The four (4) 100MW solar photovoltaic (PV) energy facilities are to be known as:

- » Carolus Solar PV
- » Fountain Solar PV
- » Wagt Solar PV
- » Riet Fountain Solar PV

Additional technical information regarding these renewable energy facilities and the associated grid connections are available in the Background Information Document attached to this e-mail.

Please do not hesitate to contact us should you require any additional information.

Kind regards,

[Unsubscribe this type of email](#)



t: 011 656 3237
f: 086 684 0547

Nicolene Venter
Public Process

e: publicprocess@savannahsa.com
c: +27 (0) 60 978 8396

[SAWEA Award for Leading Environmental Consultant on Wind Projects in 2013 & 2015](#)



Mvelaphande Trading
P/A C Schutte
3 La Motte Street
Bayswater
Bloemfontein
9301

Enquiries: Chris Schutte
Telephone: 078 741 5862
E-mail: Schutce5@telkom.co.za

Our Ref no: CDA+0152-22

Your Ref: **Fountain Solar PV**

30 March 2022

Savannah Environmentals

1st Floor, Block 2, 5 Woodlands Drive Office park,
Cnr of Woodlands Drive & Western Service Road,
Woodmead,
2191

FOR ATTENTION: Nicolene Venter

**PIXLEY PARK CLUSTER OF RENEWABLE ENERGY FACILITIES AND ASSOCIATED INFRASTRUCTURE
NEAR DE AAR, NORTHERN CAPE PROVINCE**

With reference to your above- mentioned application, I hereby confirm that the proposed work installation is approved in terms of Section 29 of the Electronic Communications Act No. 36 of 2005 as amended.

No infrastructure of our Client (Openserve) will be affected by this proposal. **We did our utmost to ensure that we indicate our route as accurate as possible and should you discover any of our cables that is not on the sketch please stop and contact us immediately to arrange a site meeting. In the event that our cables are exposed and damaged/stolen by a third party the damages will be repaired at the customer's account. Please make use of pilot holes in order not to damage our infrastructure.** Therefore any damages occurred during construction of work will be repaired at the customer's account.

Although we are not affected by this proposal, Mr Vivian Groenewald must be contacted at telephone number 081 362 6738 from our Network Field Services. Two (2) weeks prior to commencement of proposed work.

Approval of the proposed route is valid for six months. If construction has not yet commenced within this period, then the file must be resubmitted for approval.

Any changes/deviations from the original planning during or prior to construction must immediately be communicated to this office.

On completion of this project, please certify that all requirements as stipulated in this letter have been met. Please note that should any of our Client (Openserve) infrastructure has to be relocated or altered as a result of your activities the cost for such alteration or relocation will be for your account in terms of section 25 of the Electronic Communication Act.

Mr Vivian Groenewald must be contacted at telephone number 081 362 6738. Two (2) weeks prior to commencement of proposed work. It's important that all services are shown on site before construction starts.

Approval of the proposed route is valid for six months. If construction has not yet commenced within this period, then the file must be resubmitted for approval. Any changes / deviations from the original planning during or prior to construction must immediately be communicated to this office.

Please notify this office and forward an as built plan, within 30 days of completion of construction.

Mr Vivian Groenewald must be contacted at telephone number 081 362 6738. Two (2) weeks prior to commencement of proposed work. It's important that all services are shown on site before construction starts.

Yours sincerely



CHRIS SCHUTTE

Figuur 4: Liggingkaart van die Pixley-Park Hernubare Kragprojek

