

System Lo 31°

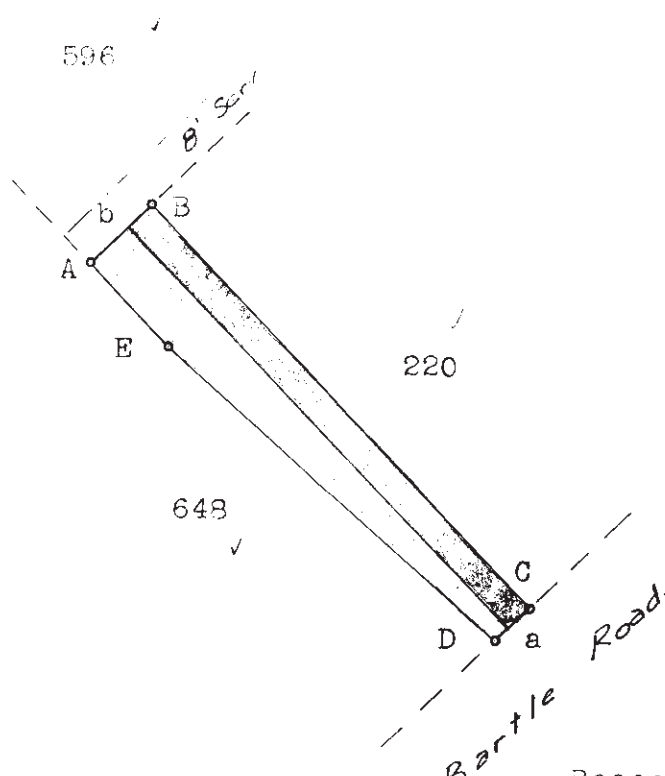
S.G.No 174/62

SIDES ENGLISH FEET	ANGLES OF DIRECTION	CO-ORDINATES	
		Y	X
	Constants	+ 1000.00	+ 10848000.00
A 10.00	220° 45' 50"	+ 748.70	+ 138.55
B 10.01	318 14 30	+ 738.58	+ 126.22
C 10.00	48 45 50	+ 853.34	+ 213.62
D 35.38	131 55 30	+ 620.62	+ 220.47
E 25.00	138 45 50	+ 781.58	+ 156.76

Approved

A. Aucamp.
F. Surveyor General

Note: The figure BCab represents a Sewer and Drainage Servitude 7 feet wide.



Reg. Div.
FU

Now LOT.....**8968**.....DURBAN

SCALE 1 IN 500

Beacons
1" pipes in concrete A C DE
1" pipe B

The figure A B C D E represents 1781 square feet of land being
 1781 BLOCK E UMBILO of the Town Lands of Durban No. 1737
 situate in the City of Durban, Province of Natal

Surveyed in June 19 61, by me
 January, 1962

A. Barbant.
Land Surveyor

This diagram relates to <i>DIT</i> <i>No. 9458/1962</i> Registrar of Deeds	Original diagram is G Vol No. 38 Fol 8 relating to Deed of Grant No. 1737 Plan D 19	File No. <i>131/34/20</i> Survey Records <i>68/1962</i> Compilation Dbn 61 62 Degree Sheet 59 Tracing General Plan
--	---	---