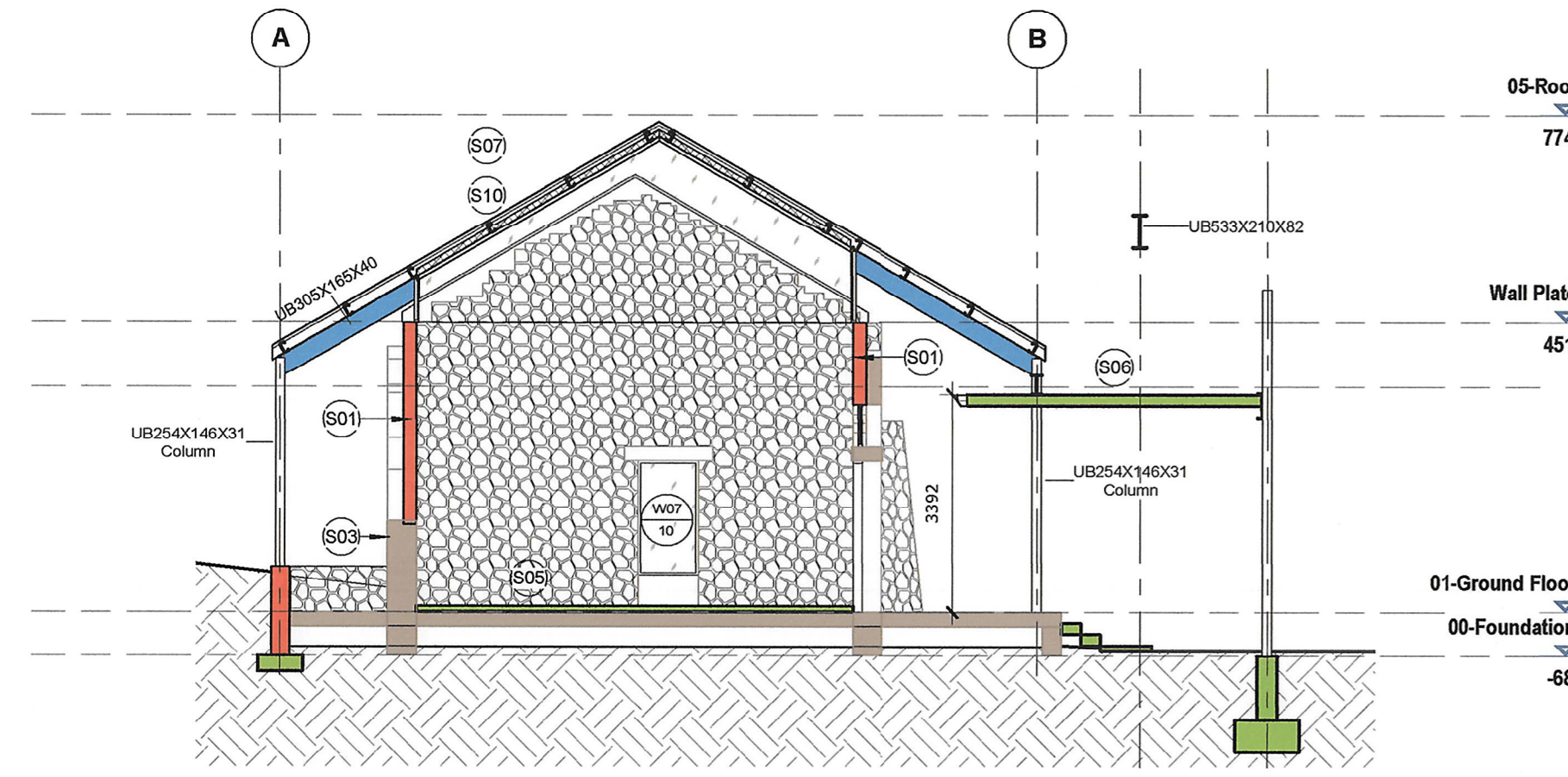


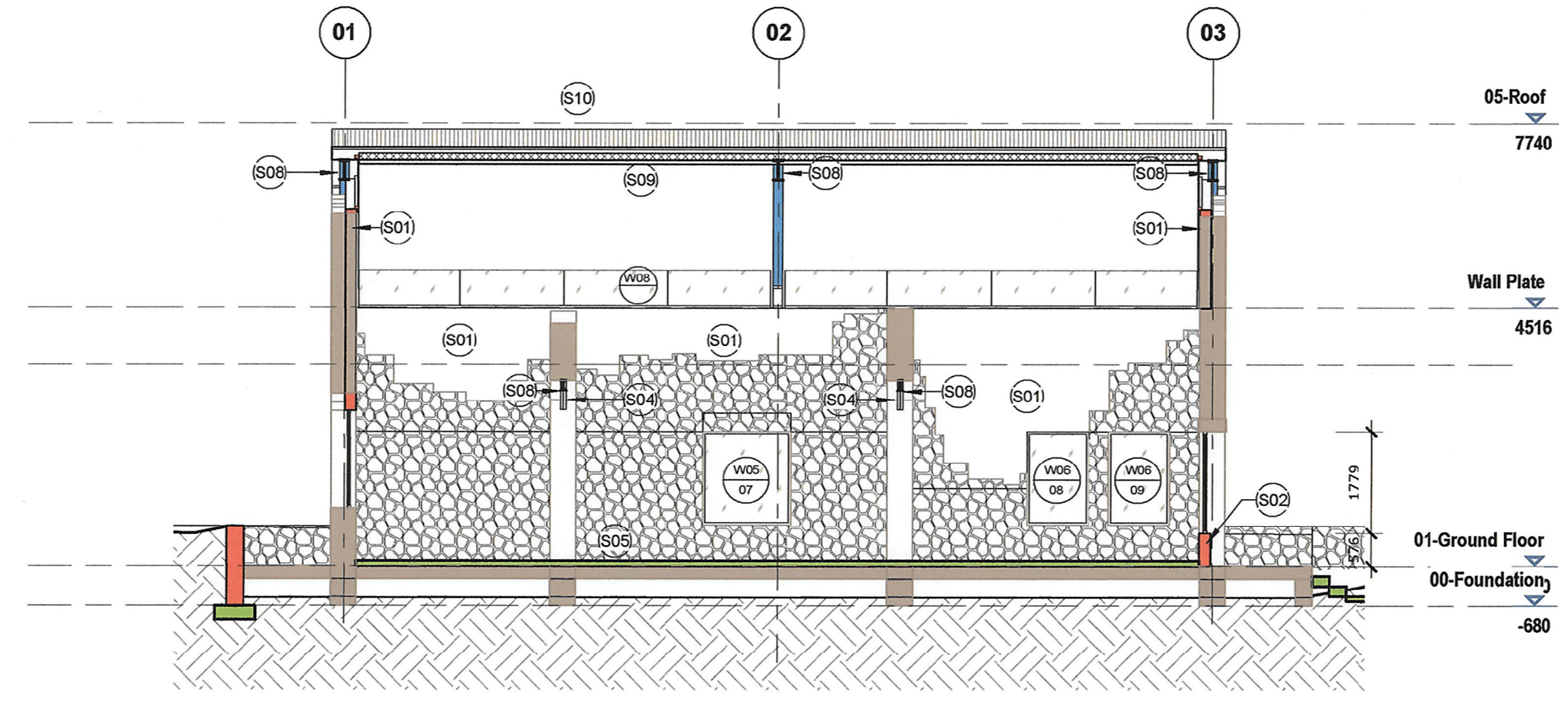
S_300 - Section A

1 : 100



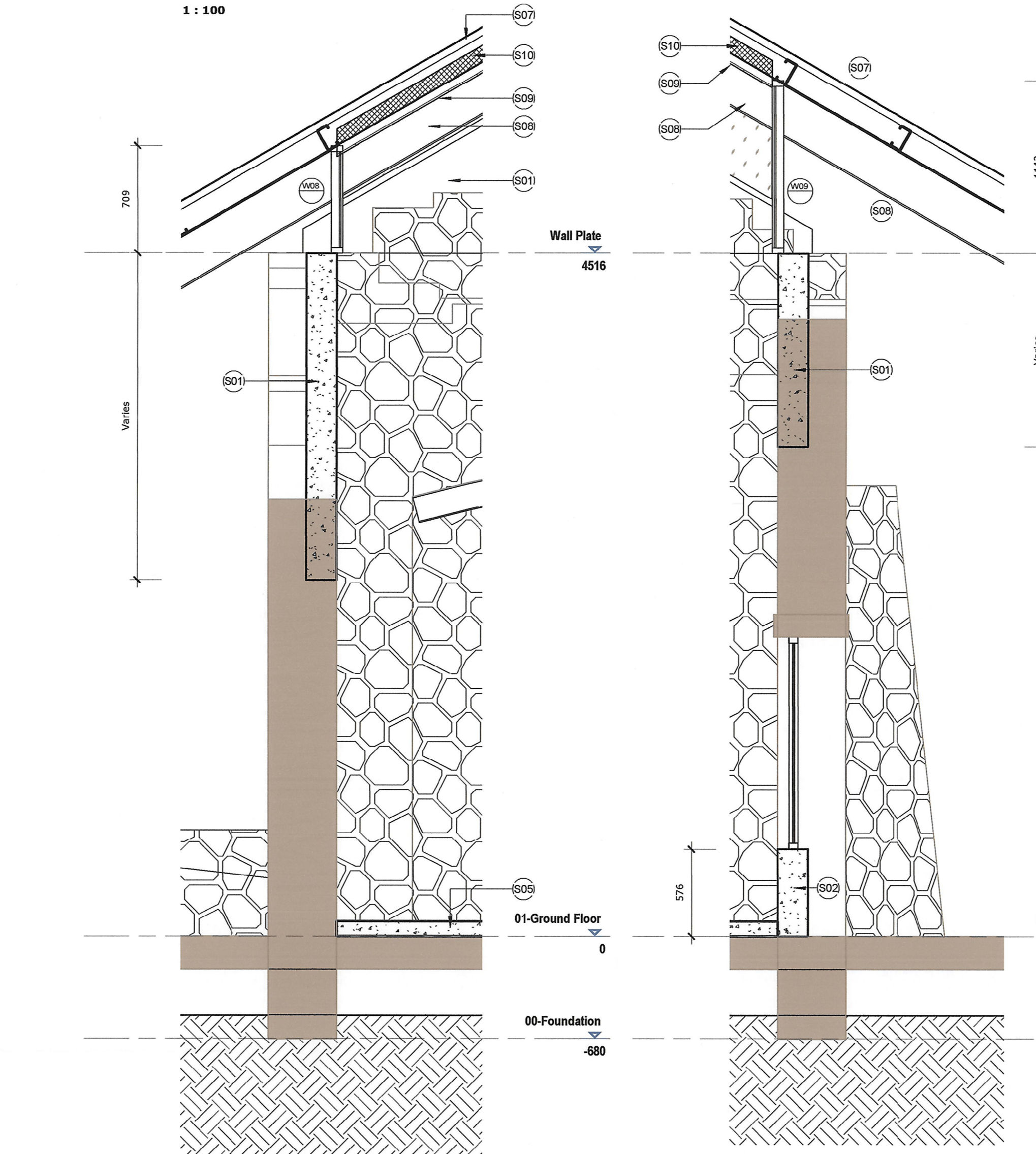
S_300 - Section C

1 : 100



A_300 - Section B

1 : 100



S_300 - Section DA1

1 : 25

S_300 - Section DA2

1 : 25

S_300 - Section DB1

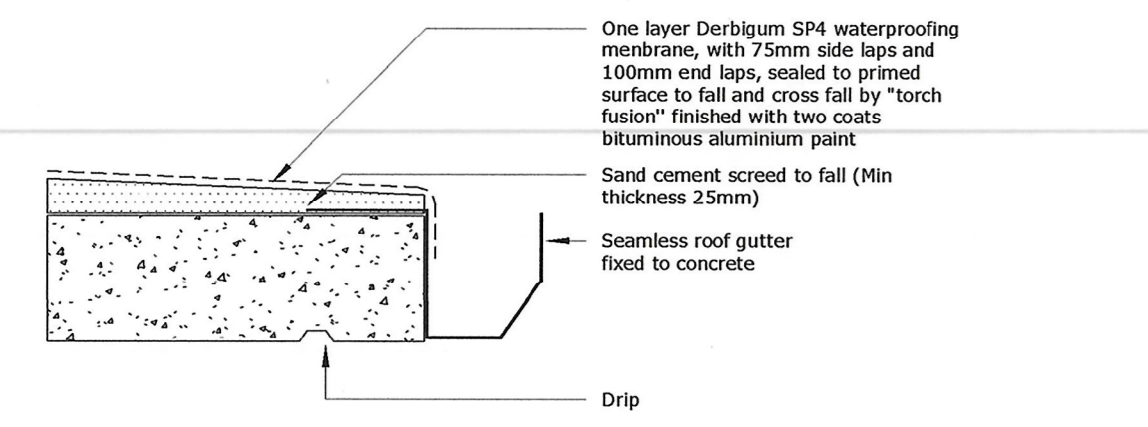
1 : 25

Section Notes	
Number	Text Note
S01	200mm Concrete wall, shutter from inside to provide level wall plate (filler and tie wall for existing rock walls)
S02	200mm Wide Concrete Wall (Height as per Section)
S03	Existing Structure
S04	IPE 180 Rolled to support newly created arch (r = 11200)
S05	New 100mm Concrete slab cast over existing floor (remove all loose material and ensure dust free surface. Provide dry-bonding with ABE jointing compound prior to casting of new floor). Steel trough fins.
S06	New Concrete Slab to Eng with Penetron Admix Waterproofing System
S07	Safintra 0,55mm thick 762mm cover Classcorr® Corrugated ZINCALUME® roof sheeting
S08	GMS Structural Steel
S09	Acoustic Ceiling: Gyptone™ BIG Quattro 41 (ISO 9001 & 14001 certification)
S10	100mm Lamdaboard® closed cell Polyisocyanurate insulation with White mineral facing to one side

S07 Roof Sheeting: Safintra 0,55mm thick 762mm cover Classcorr® Corrugated ZINCALUME® roof sheeting, fixed to steel purlins at 1400mm centres and eaves and end-span purlins at 1100mm centres (final spacing to be calculated by an engineer) using Fixtite® self tapping fasteners or Safintra approved fasteners with EPDM seals. Purlin fixed with three fasteners per sheet on intermediate purlins and five fasteners per sheet at sheet ends. Side laps to be secured using Fixtite® stitching fasteners or Safintra approved fasteners at centres not exceeding 500mm and sealed with Butyl tape with minimum 230mm end laps sealed with a double row of Butyl tape, all in accordance with the manufacturer's recommendations. Sisalation® FR 4051983 double sided reflective foil laminate reinforced membrane (vapour barrier), Classification A complying with SANS 1381-4:2013, Fire Rating in accordance with SANS 428.
 • Installation region: inland
 • Atmospheric corrosion category: C3.

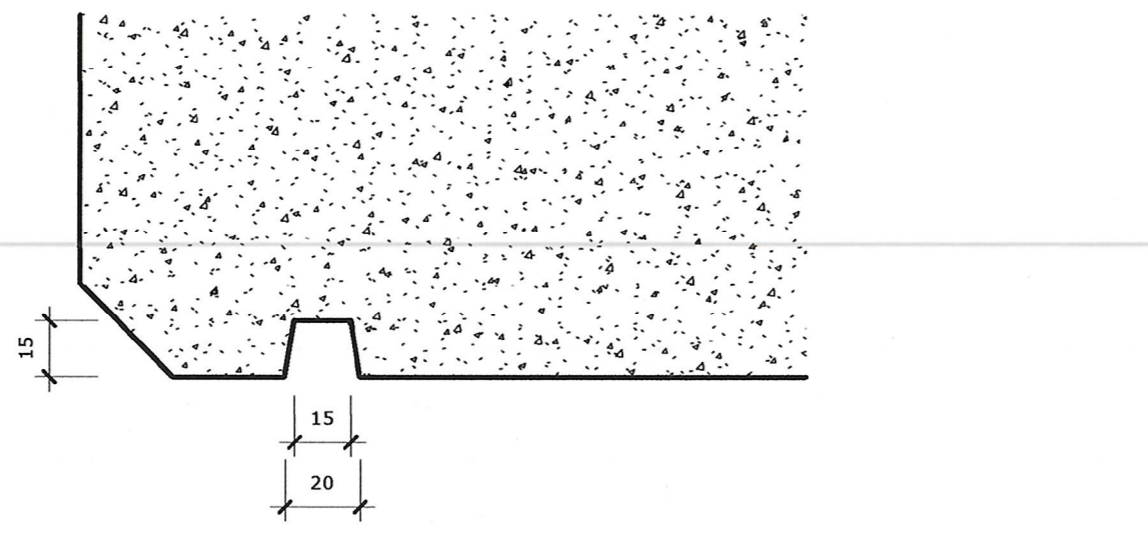
S09 Acoustic Ceiling: Gyptone™ BIG Quattro 41 (ISO 9001 & 14001 certification) fixed to Gyproframe® D32K Cross Tee (Locally manufactured recycled content ISO 9001 & 14001 certification) using Gyproloc Sharp-point Screws 25mm at maximum 150mm centres. Gyproframe® D32K Nail Tee installed at 1200mm centres and suspended using Gyproc Galvanised Angle 25mm x 25mm hangers at 1200mm centres. Gyproframe® D32K Cross Tee at 600mm centres. Hanger to be maximum 40mm from perimeter wall. Apply Gyproc RhinoTape® to all joints. Cover Gyproc RhinoTape® with 2 coats of Gyproc RhinoOldie® (locally manufactured). Install Gyproframe® Corner Bead to all external corners. Gyproc Plaster Trim 12,5mm (locally manufactured) to the wall using fixings at 300mm centres. Install 50mm thick non-combustible lightweight Energylite Glasswool insulation blanket/batts of for improved acoustic performance. Install in accordance with the manufacturer's detail and specification.
 • Ceiling System: Gyproc Acoustic Ceiling System (Boards) Gyptone™ Big Quattro 41
 • Ceiling Grid: concealed ceiling grid
 • Climatic zone: Zone 2
 • R-value: 2.88m² K/W
 • Thermal conductivity: 0.04 W/m²K.

S10 Insulation: 100mm Lamdaboard® closed cell Polyisocyanurate insulation with White mineral facing to one side, fixed between purlins concurrent with roof covering using fasteners approved by the manufacturer, all in accordance with the manufacturer's recommendations.
 • Application: between purlins
 • Board width: 1200mm
 • Board thickness: 100mm
 • Board facing: White mineral
 • R-value: 4.17
 • Core density: 34kg/m³.



S_300 - Slab Edge Gutter Detail

1 : 10



S_300 - Typical Slab Water Drip Detail

1 : 2

S_300 - Section C - Callout

1 : 25

COPYRIGHT NOTICE
 COPYRIGHT © 2020-LAD Architects
 Copyright subsides in this drawing. The person or entity whose name appears in the title block of this drawing, is hereby granted a non-exclusive license to use, display, print and/or reproduce this drawing to the extent necessary to carry out and complete the project described in the title block of this drawing. The licence in respect of the copyright is expressly limited as aforesaid and the person and/or entity referred to above shall not be entitled to grant sub-licences in respect of the copyright in this drawing to any other entity. This licence confers no ownership rights in the copyright vesting in the drawing and this drawing and the copyright subsiding therein will, at all times, remain the property of LAD cc. Any unauthorised reproduction, publication, transmission, adaptation and/or inclusion of this drawing in a cinematograph film or television broadcast is an act of copyright infringement which will render the user of the act liable for civil law copyright infringement and may in certain circumstances render the user liable for criminal law copyright infringement.

GENERAL NOTES:
 1. Check all measurements, levels and details on site before commencement with work.
 2. Refer any discrepancies to architects.
 3. All work to be done in accordance with SABS 10400.
 4. Nothing to be sealed from drawings, request measurements from architect.
 5. Architects & Engineers drawings to be read together.
 6. Drawing to be used for intention as mentioned in Drawing description.

Amendment Schedule			
Issue	Number	Date	Amendment
A	221001		Issued for Information
B	221107		Issued for Information
C	221115		Council Submission



LAD Architects
 Profite Building
 23 Corridor Crescent
 Route N4 Business Park
 Ben Fluor Ext 11
 P. O. Box 649, Emsalshani, 1035
 Tel: 013-856 6321 / 653 6305
 Fax: 013-653 6322 / 0866 024 012
 e-mail: admin@lad-arch.com

P.J. Labuschagne, SACAP Pr.Arch 6254
PROJECT
 Proposed Alterations & Additions to Taung Skull Heritage Site: (SDP) BLDNG 5: Chapel

ADDRESS
 Taung Skull

CLIENT
 North West Department: Economic Development, Environment, Conservation and Tourism

DRAWING DESCRIPTION
 Sections

DRAWING NUMBER
 S_300 - A1

DESIGN COUNCIL **CONSTRUCTION**

DRAWN BY: S. Scrien **ISSUE:** **DATE:** 221107