

**SITE PLAN**  
SCALE 1:2000

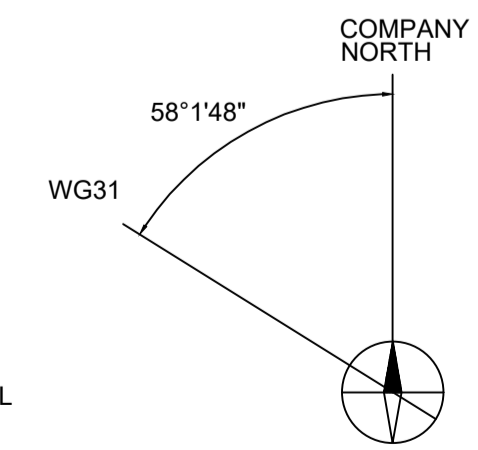
1. THE FIGURE a, HIGH WATER MARK, b, A, y5, r5, d5, g5, g, a REPRESENTS REMAINDER OF PORTION 210 OF THE FARM UMKOMAZI DRIFT No. 1357 VIDE DIAGRAM S.G. No. 241/1953 AND DEED OF TRANSFER No. 4532/1953.
2. THE FIGURE N, g, y8f, r5, y5, A, B, C, D, E, F, G, H, J, K, L, M REPRESENTS REMAINDER OF PORTION 214 OF THE FARM UMKOMAZI DRIFT No. 1357 VIDE DIAGRAM S.G. No. 245/1953 AND CERTIFICATE OF CONSOLIDATED TRANSFER No. 7095/1953.
3. THE FIGURE d5, y8f, g, g5 REPRESENTS PORTION 228 (OF 210) OF THE FARM UMKOMAZI DRIFT No. 1357 VIDE DIAGRAM S.G. No. 6192/1959 AND DEED OF TRANSFER No. 4509/1960

**MODUS OPERANDI**  
CONSTRUCTION OF A CONTIGUOUS CONCRETE PILED UNDERGROUND WALL ON THE WESTERN BOUNDARY OF THE MILL IS TO PREVENT UNDERSOUR OF THE EXISTING SOIL AND TO PROTECT THE SAPPI SAICCOR MILL INFRASTRUCTURE AND BUILDINGS. THE UNDERGROUND WALL WILL PROTECT THE MILL AGAINST HIGH VELOCITY FLOOD WATERS FROM THE UMKOMAZI RIVER THAT HAS THE POTENTIAL TO CAUSE DEEP SCOUR. A CONCRETE CAPPING BEAM WILL BE CONSTRUCTED JUST BELOW GROUND LEVEL TO THE TOP OF THE PILES AND WILL INCLUDE RAKING PILES FOR LATERAL SUPPORT

**AREA SCHEDULE:**  
NO ADDITIONAL AREA ADDED

**SITE PLAN & TOWN PLANNING NOTES.**

1. SITE DESCRIPTION: PORTION 656 (SAICCOR) OF THE FARM UMKOMAZI DRIFT NO. 1357 (CONSOLIDATED SUB 210 (SAICCOR) & SUB 214 (SAICCOR))
2. POSTAL ADDRESS: 1600, R197 ROUTE (STREET NUMBER - 1600 STREET NAME - 197 ROUTE)
3. SCHEDULE OF AREAS:  
AREA OF SITE = 77.5921 HECTARES
4. ZONING: GENERAL INDUSTRIAL
5. USAGE: D3 - LOW RISK INDUSTRIAL



CAD DRAWING FILE No. 1	
X-REFERENCES	
DWG.No.	REFERENCES

**SP ENGINEERING CONSULTANTS**  
P.O. BOX 2130, SOMERSET PARK, UMLHLANGA, 4021  
TEL: 079 895 8091  
AUTHOR: LYNNE BINGHAM REG. NO. ST1489  
SIGNATURE: \_\_\_\_\_  
DATE: 23 JUNE 2023

**ON BEHALF OF SAPPI SOUTHERN AFRICA**  
P.O. BOX 62, UMKOMAAS,  
TEL: 039 973 8539  
CIVIL ENGINEER: BUILDING DEPARTMENT  
DANIEL VAN VUURDEN  
SIGNATURE: \_\_\_\_\_  
DATE: 23 JUNE 2023



**CLIENT & PROJECT**  
SAPPI SOUTHERN AFRICA  
SAICCOR MILL - UMKOMAAS  
PORTION 656 OF THE FARM UMKOMAZI DRIFT NO 1357  
FLOOD PROTECTION PROJECT

**DRAWING TITLE**  
REMEDIAL WORK  
NEW CONTIGUOUS PILED UNDERGROUND WALL

**SITE PLAN SHOWING EX. CONCRETE WALL**

DESIGNED S. PILLAY	SCALE 1:2000	
DRAWN L. BINGHAM		
CHECKED S. PILLAY		
DATE OCT 2022	APPROVED S. PILLAY	

FOR SUBMISSION TO AMAFA ONLY

DRAWING No. SITE PLAN-001