

COMPONENTS

1. The figure A B a b represents Remainder of Portion 4 of Erf 2518 Pietermaritzburg vide diagram Sub Vol 20 fol 160 and Deed of Transfer No. 44/1854.
2. The figure b a C D represents Portion 6 (of 2) of Erf 2518 Pietermaritzburg vide diagram Sub Vol 33 fol 59 and Deed of Transfer No. 307/1869.

S.G. No.

702/2019

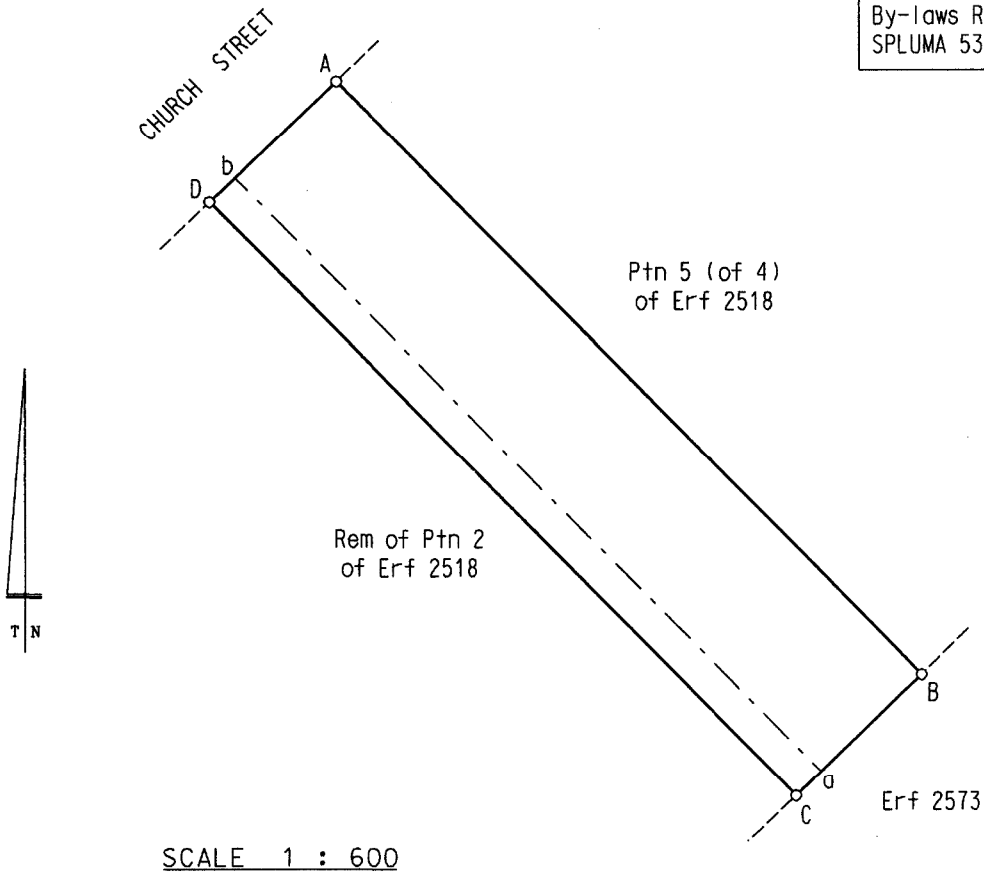
Approved

PL

for : SURVEYOR-
GENERAL

2019-06-14

Act 16/2013 and
Msunduzi Spluma
By-laws Ref :
SPLUMA 53



The figure **A B C D** represents **1072 square metres** of land being

PORTION 8 OF ERF 2518 PIETERMARITZBURG

(and comprises the properties specified above)

Situate in the Msunduzi Local Municipality,
Registration Division FT
and Province of KwaZulu-Natal
Compiled in May 2019 by me

Boote

R.N. BOOTE PLS0735
Professional Land Surveyor

This diagram
relates to
No.

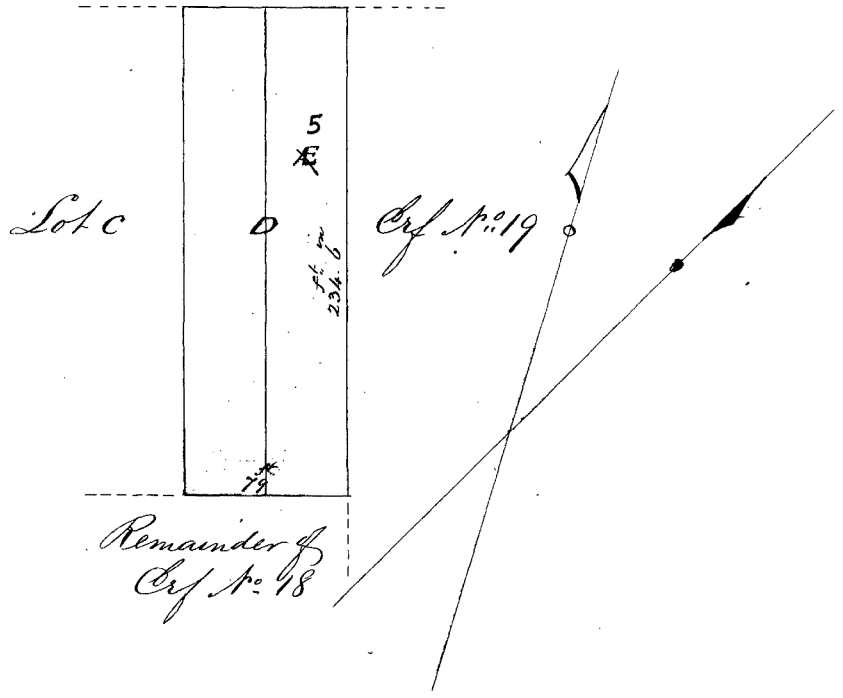
File No. **PMB 2516-2535**
VOL.3

Compiled
SR243/2019

Registrar of Deeds

Comp. **FT-5B-23B1C**

Church Street



80 feet to an inch

New SUB 4 of LOT 2518 of ... MARIETZBURG

Now known as Sub D of lot 18 Longmarket Street

f.d. 24/12/46

Reg. Div. FT

The above diagram marked D represents 1 Rod 28 perches of ground being a subdivision of the Crf No: 18 Long Market St. Town of Petermannsburg district of Natal as shown on the General plan

T. 44/1854

Bounded N.E. by Lot 19, S.E. by remainder of Crf No: 18, S.W. by Lot c N.W. by Church St.

From the ^{copy} diagram ^{above} is deducted the portion marked ⁵ containing 24 perches, leaving a remainder of 24 P. Copied by me S. Wetts Esq. Draughtsman June 20/1854

Subdivided by me (sign) Joseph Cooke Esq. Surveyor 11. June 1854

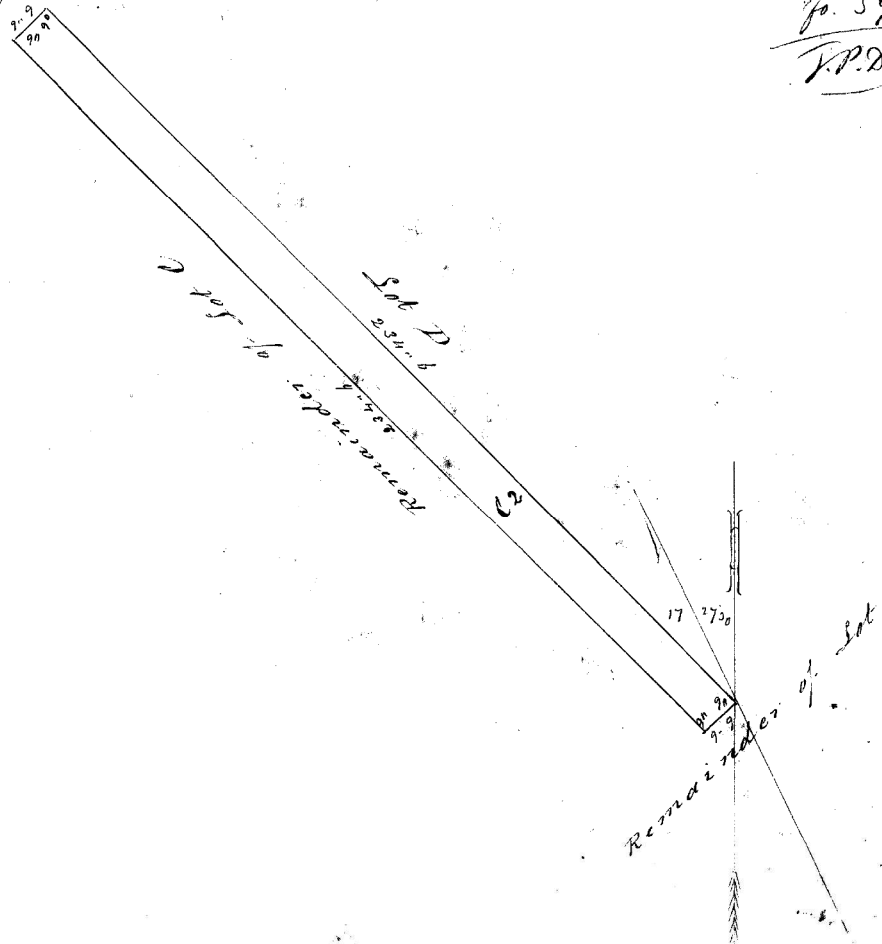
Subdivided & planned by me Joseph Cooke Govt. Surveyor Oct 1853

FT-58-23B-1C

S.V. 33 F 59.

L.S. C
Vol. 3
p. 59
F.P.D

Church Street



Scale of feet

Now SUB... 6 (of 2) ... of
LOT... 251.8... PIETERMARITZBURG

Now known as:

Sub C2 of Sub C of Lot 18 Longmarket Street

J.H.
3/11

The above diagram marked C2, represents 8 perches 108.375 sq
of land being a portion of the subdivision C of the Erf No 18
-market Street City of Pietermaritzburg Colony of Natal.
Bounded N.E. by Lot D; S.W. by Remainder of Lot C;
by Remainder of Lot 18; N.W. by Church Street.

Reg. Div.
FT

Surveyed by
George Holgate
Government Surveyor

October 1869

T. 307/1869

8371

FT-5B-23B-1C

Provisional Endorsements / Notes

SG No. SV20F160

Scanned page number _____

Designation: PTN 4 OF ERF 2518 PIETERMARITZBURG

Reservation:

- 1. REM TO BE CANCELLED
VIDE SG 702/2019
SR No. 243/2019**

NOW PTN 8 OF ERF 2518

Provisional Endorsements / Notes

SG No. SV33F59

Scanned page number _____

Designation: PTN 6 (OF 2) OF ERF 2518 PIETERMARITZBURG

Reservation:

- 1. TO BE CANCELLED
VIDE SG 702/2019
SR No. 243/2019**

NOW PTN 8 OF ERF 2518

Provisional Endorsements / Notes

SG No. SV20F160

Scanned page number _____

Designation: **PTN 4 OF ERF 2518 PIETERMARITZBURG**

Reservation:

- 1. REM TO BE CANCELLED
VIDE SG 702/2019
SR No. 243/2019**

NOW PTN 8 OF ERF 2518