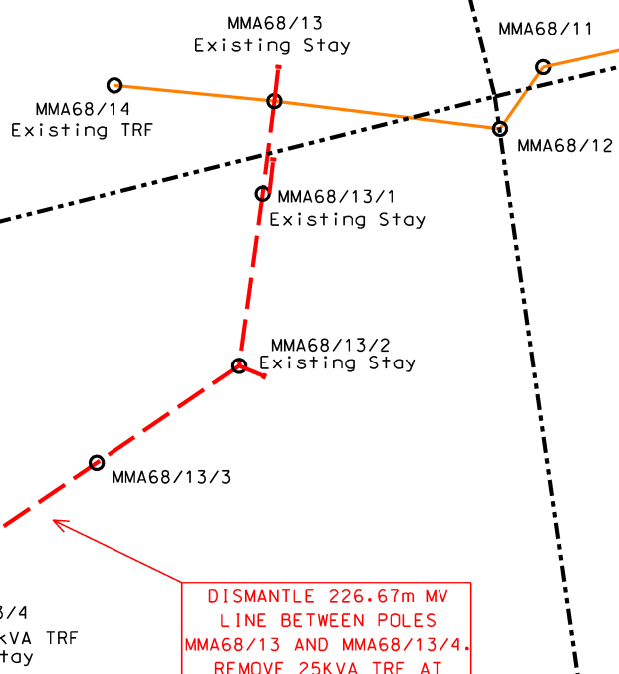




MALELANE 389 JU
PTN89

PTN31



PTN76

MALELANE 389 JU
PTN90

REV.2 20/03/2023

TRFR Sizes: N/A	Project No: TBC
T-Off Pole No: VARIOUS ON MR & MMA FEEDERS	Project Name: PROJECT 03 - TRAC N4 - 11kV INFRASTRUCTURE RELOCATION
T-Off: LAT: 25°31'3.41"S LONG: 31°29'56.39"E	Feeder Name: Malelane-Riverside 11kV & Malelane-Malelane 11kV
T-Off Angle: VARIOUS	CNC: Matsulu CNC
Total Length of Line: NEW MV - 479.29m DISMANTLE MV - 722.65m	Surveyor: E VD WESTHUIZEN
Portion of Map: 2531	Geographic Mapping: E VD WESTHUIZEN
NOTE: No protected trees/plants may be cut/trimmed/removed unless the applicable tree permit is issued and handed to the construction contractor.	NOTE: Check for special conditions on Way leave
	COORDINATE SYSTEM: LO84/31 WGS84 (Medium Order Accuracy ±10m)



MALELANE 389 JU
PTN18

DDT0053
DDT1749
DDT1866
DDT1849

EXISTING
50KVA TRF
MMA76A/1
12m POLE

SLAC SPAN
15.0m

MMA78/1

MMA75

MMA76A
12m POLE

MMA76

DDT1805

MMA77

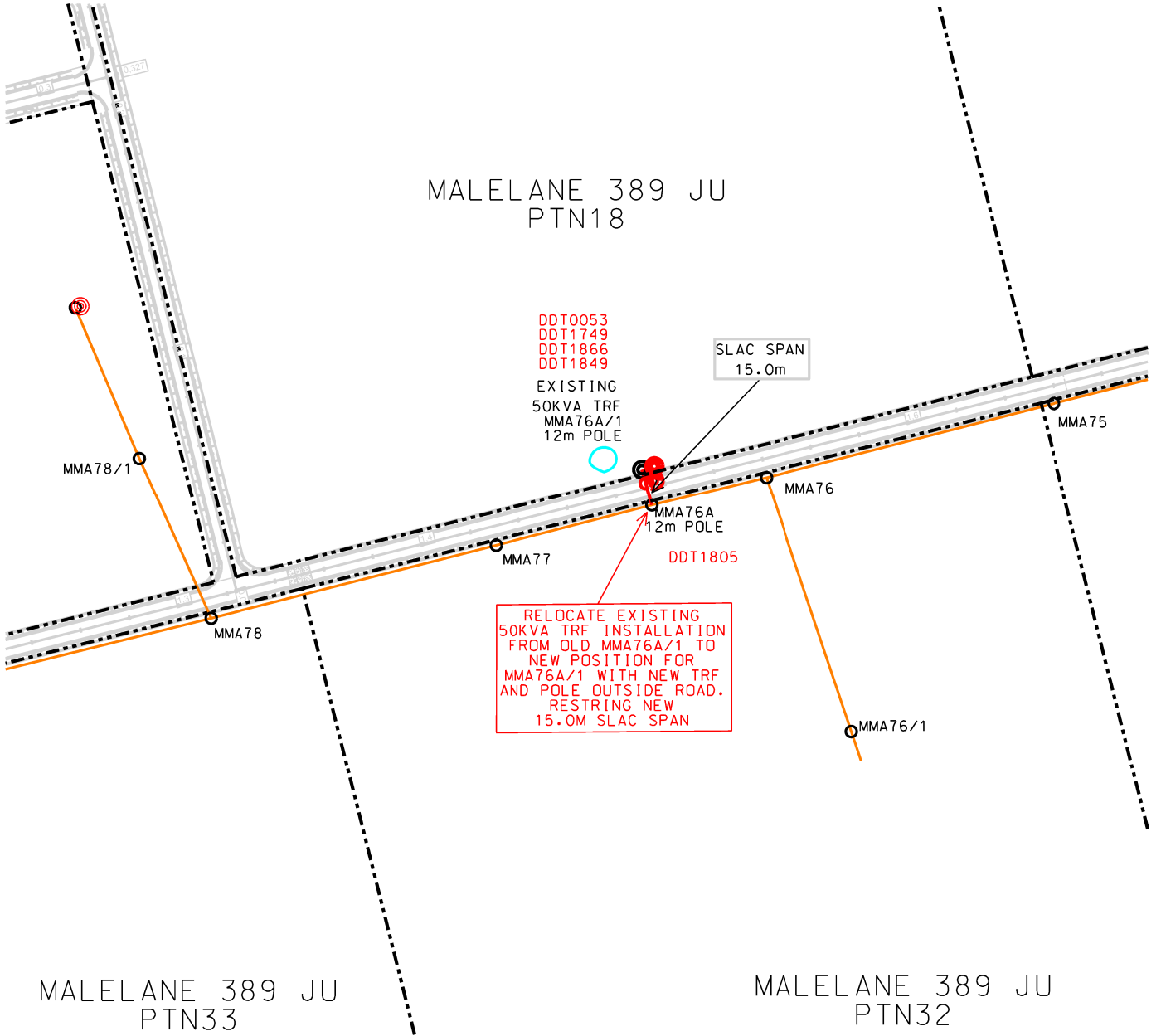
RELOCATE EXISTING
50KVA TRF INSTALLATION
FROM OLD MMA76A/1 TO
NEW POSITION FOR
MMA76A/1 WITH NEW TRF
AND POLE OUTSIDE ROAD.
RESTRING NEW
15.0M SLAC SPAN

MMA78

MMA76/1

MALELANE 389 JU
PTN33

MALELANE 389 JU
PTN32





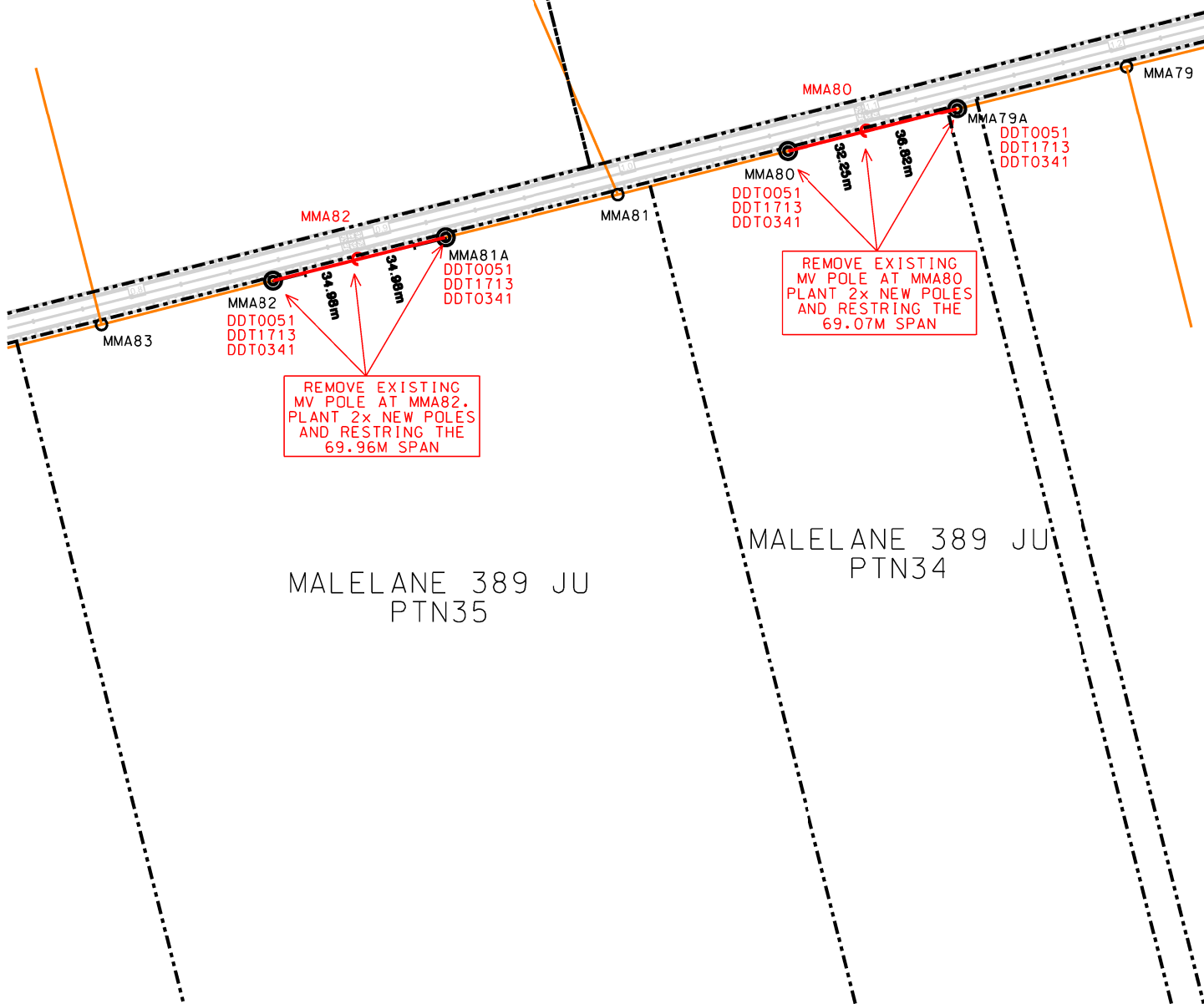
MALELANE 389 JU
PTN81

MMA81/2
EXISTING
100KVA TRF

MALELANE 389 JU
PTN8

MALELANE 389 JU
PTN19

MMA81/1



MALELANE 389 JU
PTN35

MALELANE 389 JU
PTN34

NELSPRUIT LAND DEVELOPMENT

PROFILE OF : ROAD CROSSING

FEEDER : Malelane-Riverside 11kV & Malelane-Malelane 11kV

PROJECT NO : TBC

CLIENT : SANRAL - RAUBEX

COMPILATION NO : 2531

SCALE HOR. 1 : 2500

VERT. 1 : 250

CONDUCTOR: CHICKADEE

SURVEYOR : TSHUKUDU SURVEY'S

WARM CURVE : 35 DEG

ATTACH. HEIGHT :

A= 9.8

B= 9.2

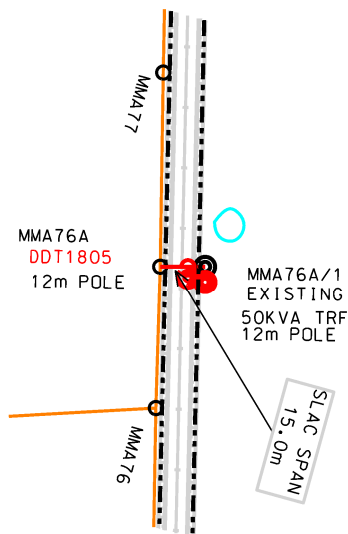
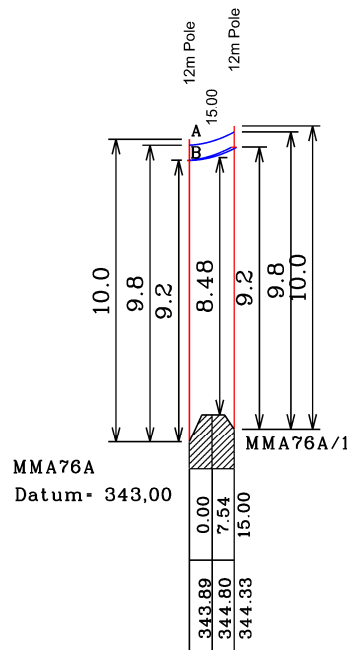
CLEARANCE BETWEEN
MV AND ROAD
8.48m

TEMPLATED BY :

E VD WESTHUIZEN

DATE :

20/03/2023



MALELANE 389 JU
PTN18

NELSPRUIT LAND DEVELOPMENT

PROFILE OF : ROAD CROSSING

FEEDER : Malelane-Riverside 11kV & Malelane-Malelane 11kV

PROJECT NO : TBC

CLIENT : SANRAL - RAUBEX

COMPILATION NO : 2531

SCALE HOR. 1 : 2500

VERT. 1 : 250

CONDUCTOR: CHICKADEE

SURVEYOR : TSHUKUDU SURVEY'S

WARM CURVE : 35 DEG

ATTACH. HEIGHT :

A= 11.6

B= 11.0

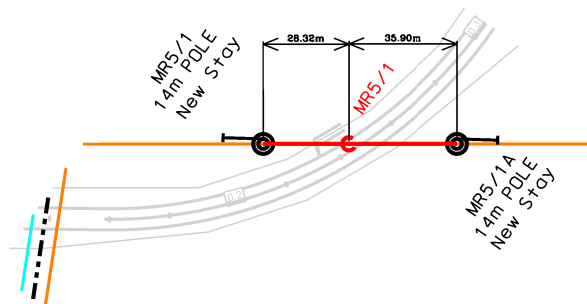
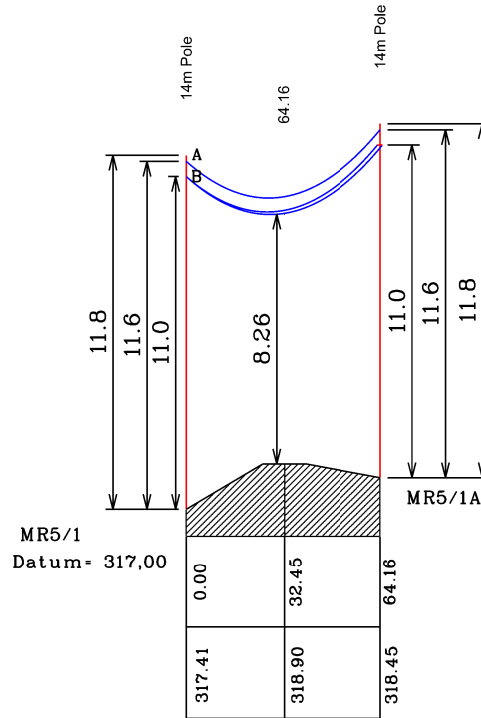
CLEARANCE BETWEEN
MV AND ROAD
8.26m

TEMPLATED BY :

E VD WESTHUIZEN

DATE :

01/04/2023



MALELANE 389 JU
PTN39

NELSPRUIT LAND DEVELOPMENT

PROFILE OF : ROAD CROSSING

FEEDER : Malelane-Riverside 11kV & Malelane-Malelane 11kV

PROJECT NO : TBC

CLIENT : SANRAL - RAUBEX

COMPILATION NO : 2531

SCALE HOR. 1 : 2500

VERT. 1 : 250

CONDUCTOR: CHICKADEE

SURVEYOR : TSHUKUDU SURVEY'S

WARM CURVE : 35 DEG

ATTACH. HEIGHT :

A= 9.8

B= 9.2

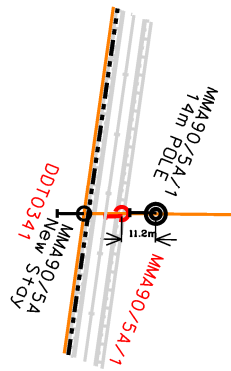
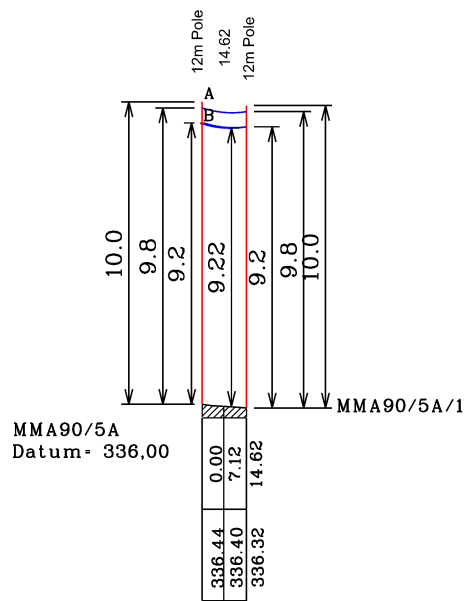
CLEARANCE BETWEEN
MV AND ROAD
9.22m

TEMPLATED BY :

E VD WESTHUIZEN

DATE :

01/04/2023



MALELANE 389 JU
PTN37

NELSPRUIT LAND DEVELOPMENT

PROFILE OF : ROAD CROSSING

FEEDER : Malelane-Riverside 11kV & Malelane-Malelane 11kV

PROJECT NO : TBC

CLIENT : SANRAL - RAUBEX

COMPILATION NO : 2531

SCALE HOR. 1 : 2500

VERT. 1 : 250

CONDUCTOR: CHICKADEE

SURVEYOR : TSHUKUDU SURVEY'S

WARM CURVE : 35 DEG

ATTACH. HEIGHT :

A= 9.8

B= 9.2

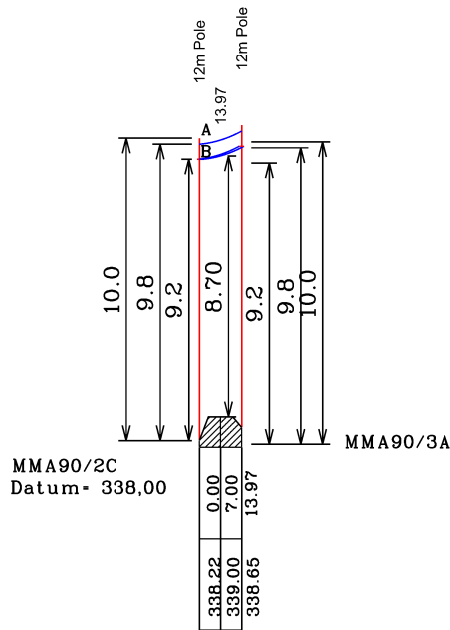
CLEARANCE BETWEEN
MV AND ROAD
8.70m

TEMPLATED BY :

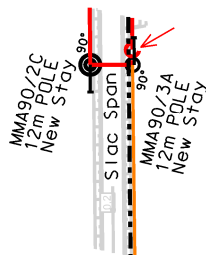
E VD WESTHUIZEN

DATE :

01/04/2023



MALELANE 389 JU
PTN37



MALELANE 389 JU
PTN43

NELSPRUIT LAND DEVELOPMENT

PROFILE OF : ROAD CROSSING

FEEDER : Malelane-Riverside 11kV & Malelane-Malelane 11kV

PROJECT NO : TBC

CLIENT : SANRAL - RAUBEX

COMPILATION NO : 2531

SCALE HOR. 1 : 2500

VERT. 1 : 250

CONDUCTOR: CHICKADEE

SURVEYOR : TSHUKUDU SURVEY'S

WARM CURVE : 35 DEG

ATTACH. HEIGHT :

A= 9.8

B= 9.2

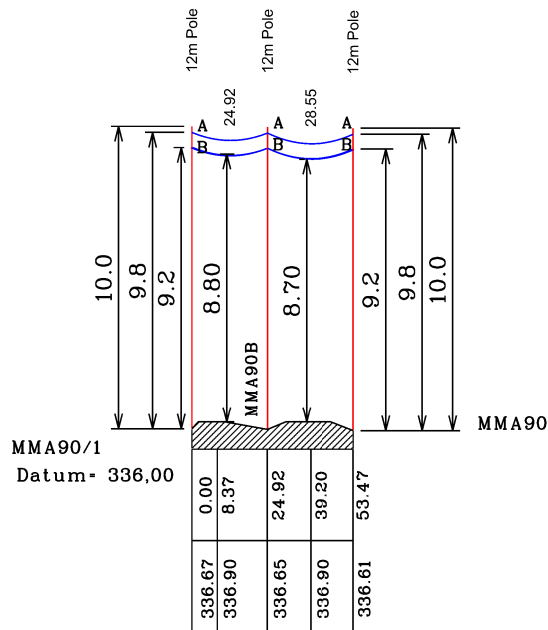
CLEARANCE BETWEEN
MV AND ROAD
8.80m & 8.70m

TEMPLATED BY :

E VD WESTHUIZEN

DATE :

01/04/2023



MALELANE 389 JU
PTN37

