

**Environmental Impact Assessment for the
proposed Ubuntu Wind Energy Project near
Jeffrey's Bay, Eastern Cape:
Draft Scoping Report**

Appendix G:

**Correspondence to
Interested and Affected Parties**

APPENDIX G:

CORRESPONDENCE SENT TO I&APS PRIOR TO THE RELEASE OF THE DRAFT SCOPING REPORT

Letter 1: To I&APs providing a 30 day registration and comment period

PO Box 27688 Greenacres 6057
120 Diaz Road Adcockvale, PE 6001
Phone 041 374 8426 Fax 041 373 2002
Email sandy@publicprocess.co.za

Ck 97/32984/23 VAT 44601 68273

3 November 2010

Dear

RE: NOTICE OF SCOPING AND ENVIRONMENTAL IMPACT ASSESSMENT PROCESS FOR THE PROPOSED UBUNTU WIND ENERGY PROJECT, FARMS ZUURBRON AND VLAKTEPLAAS, KOUGA MUNICIPALITY, EASTERN CAPE PROVINCE (DEA REFERENCE NUMBER: 12/12/20/1752)

In terms of Regulations 385, 386 and 387 promulgated under Chapter 5 of the National Environmental Management Act (NEMA, Act 107 of 1998) in Government Gazette 28753 on 21 April 2006, you have been identified as an interested and/ or affected party (I&AP) for the above project and have been included on the project I&AP database. An application for Scoping and Environmental Impact Assessment was submitted to the National Department of Environmental Affairs on **12 December 2009** and as such this EIA process is subject to the 2006 NEMA EIA regulations, as outlined in this correspondence and the attached Background Information Document. DEA has allocated the following reference number to this project: 12/12/20/1752.

Windcurrent SA (Pty) Ltd, in a Joint Venture with WKN Windkraft Nord AG (the project applicants), is proposing the establishment of a wind energy facility, with a maximum generation capacity of 100 MW, on the Farms Zuurbron and Vlakteplaas in the Kouga Municipal area, Eastern Cape Province. It is proposed that the project, referred to as the Ubuntu Wind Energy Project, be developed in two phases, each consisting of approximately 25 wind turbines of 2 to 3 MW each (50MW), both of which are covered in this EIA process. The Ubuntu Wind Energy project is located on the farms Zuurbron and Vlakteplaas, approximately 3km north of the town of Jeffreys Bay, as follows:

- Remainder of farm 830, Kransplaas, (Farm Zuurbron)
- Portions 2/3/4/5/6/7 of farm 854 (Vlakteplaas)
- Farms 307/5; Div Humansdorp
- 307/6; Div Humansdorp
- 307/7 Div Humansdorp
- Farm 845, Div Humansdorp

In terms of Regulations 385, 386 and 387 promulgated under Chapter 5 of the National Environmental Management Act (NEMA, Act 107 of 1998) in Government Gazette 28753 on 21 April 2006, an



environmental assessment process is being conducted for the proposed wind farm. The proposed project requires full Scoping and Environmental Impact Assessment, in particular because it includes the following activities listed under GN R 387: Activity 1. (a) (i), (ii) and (l) and 10; and Activity 15 listed in GN R386.

The listed activities require authorisation from the National Department of Environmental Affairs (DEA). The CSIR has been appointed by the Joint Venture to undertake the Scoping and Environmental Impact Assessment (EIA) required for the project and Public Process Consultants will manage the public participation component of the EIA.

In terms of regulation 56 (1) (b) of Government Notice R 385 interested and affected parties are to request, in writing, that their names be placed on the I&AP register. In order to ensure that you are placed on the project register as well as to raise issues and or concerns for inclusion in the Draft Scoping Report, you are kindly requested to submit any comments you may have to the participation consultant at the address details indicated above, by no later than **3 December 2010**.

To assist you in the submission of your comments we have enclosed with this correspondence a Background Information Document (BID) on the project as well as a comment form. Copies of the BID and comment form can be downloaded from the following website www.publicprocess.co.za. Additional issues and concerns may be raised once the Draft Scoping Report is released for a 40 day I&AP review, anticipated to be early in 2011. As a registered I&AP on the project database you will be notified of this comment period in writing.

Should you have any queries or require additional information please contact Sandy Wren or Paul-Pierre Steyn using the contact details provided above.

Yours sincerely



SANDY WREN

Comment form mailed with Letter 1 to I&APs

**SCOPING AND ENVIRONMENTAL IMPACT ASSESSMENT PROCESS
UBUNTU WIND ENERGY PROJECT, FARMS ZUURBRON AND
VLAKTEPLAAS, KOUGA MUNICIPALITY**

Windcurrent SA (Pty) Ltd, in a Joint Venture with WKN Windkraft Nord AG (the project applicants), are proposing the establishment of a wind energy facility, with a maximum generation capacity of 100 MW, on the Farms Zuurbron and Vlakteplaas in the Kouga Municipal area, Eastern Cape Province

Listed Activities: GN R387 Activity 1. (a) (i), (ii) and (l); and 10
and in GN R386 Activity 15.

Return Completed Reply Form by to:

Public Process Consultants, PO Box 27688, Greenacres 6057

Phone: 041 – 374 8426 or Fax 041-373 2002 or Email sandy@publicprocess.co.za

Please Complete all Relevant Sections Below and Return By:

3 December 2010

Please provide your full contact details:

FIRST NAME:	SURNAME:
ORGANISATION:	DESIGNATION:
POSTAL ADDRESS:	
CODE:	
PHONE:	FAX:
CELL:	EMAIL:
Email:	

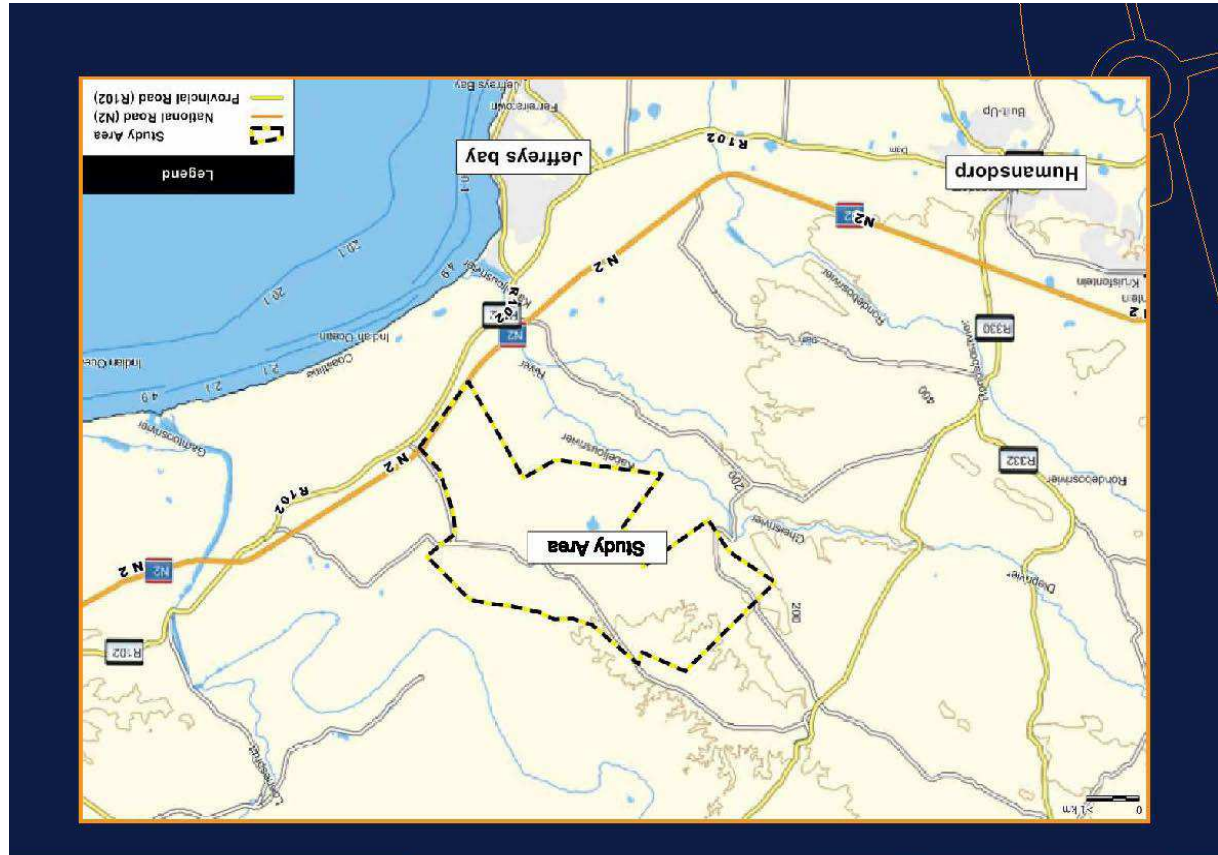
Would you like to register as an interested and affected party? (please tick the appropriate box)

NOTE: You are required to register as an I&AP in order to receive further correspondence regarding the EIA process.

YES
NO

Please clearly state any interest you may have in the project and/or list your issues and concerns or questions you may have (use additional pages if required)

Background Information Document Mailed with Letter 1 to I&APs



The Final Scoping Report will include the Plan of Study for EIA (PoS EIA) and Terms of Reference for specialist studies to be undertaken as part of the EIA process. The PoS EIA is subject to the approval of the authorities and may require amendment.

Step 5: Draft Environmental Impact Assessment and EMP

When the DEA accepts the Final Scoping Report and PoS EIA, the environmental assessment phase may commence. The purpose of the EIA is to:

- Address issues that have been raised through the Scoping Process;
- Assess reasonable and feasible alternatives that form part of the proposed activity (including the No Go Option);
- Assess potential impacts; and
- Recommend management actions to enhance benefits or avoid/minimise potential negative impacts.

This stage in the process entails the compilation and release of a Draft Environmental Impact Assessment for a 40-day I&AP review period. A key component of the EIA process is documenting and responding to the comments received from I&APs and authorities. The comments received through meetings held or via written correspondence are compiled into a Comments and Responses Trail for inclusion in the Final Environmental Impact Assessment. The Comments and Responses Trail will indicate the nature of the comment, when and who raised the comment as well as indicate how the comment received has been considered in the Final EIA, in the project design or EMP for the project.

Step 6: Final Environmental Impact Assessment and Draft EMP

The Final Environmental Impact Assessment, including the Comments and Responses Trail and draft EMP will be compiled for submission to the authorities for decision making (DEA). All I&APs on the project database will be notified in writing of the submission of the Final EIA as well as any additional comment period if applicable.

Step 7: Notification of Environmental Decision and Appeal Period

All I&APs on the project database will be notified in writing regarding the environmental decision for the project and the appeal period, as well as the manner of appeal.

HOW CAN YOU GET INVOLVED?

1. By responding to our invitation for your involvement advertised in local newspapers.
2. By mailing or faxing a comment form to the participation consultant indicated below.
3. By telephonically contacting the participation consultant if you have a query, comment, or require further project information.
4. By reviewing the various reports within the comment periods provided.
5. By attending any feedback meetings, which may be held during the review period. Should you be registered as an I&AP you will be invited to attend these meetings.



Public Process Consultants
Environmental Impact Assessment and
Public Participation Management

Sandy Wien, Public Process Consultants

PO Box 27868, Greenacres, 6057

Phone 041 - 374 8426

Fax 041 - 373 2002

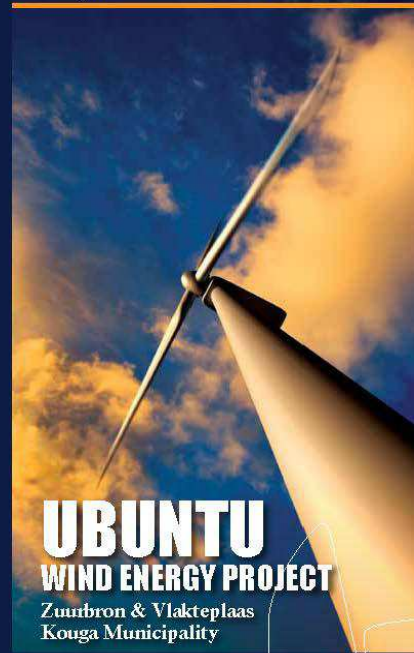
Cell 082 4909 826

Email sandy@publicprocess.co.za

Information on this project can be accessed through the website:
www.publicprocess.co.za



November 2010
Background Information Document



WKNAG Windcurrent SA (Pty) Ltd.

Environmental Impact Assessment
DEA Reference Number: 12/12/20/1752

PROJECT OVERVIEW

Windcurrent SA (Pty) Ltd, in a Joint Venture with WKN Windkraft Nord AG, is proposing the construction of a 100 MW wind energy facility on the Farms Zuurbron and Vlakteplaas in the Kouga Municipal area, Eastern Cape Province. WKN Windkraft Nord AG (WKN) was founded in 1990, and is one of the pioneers of the German wind energy market. With international experience in the sectors of development, financing, erection and operation of wind farms, WKN has, as of 2009, a realised capacity of 972.5 MW wind power.

The Joint Venture Company, presently being formed, will be a South African based renewable energy company that develops, builds and operates renewable energy projects. The proposed project, referred to as the Ubuntu Wind Energy Project, will be developed in two phases.

The Eastern Cape does not generate bulk power and is thus reliant on electricity imports from other provinces (e.g. Mpumalanga). The existing transmission capacity to the province is fully utilised, which restricts the province from realising its industrial and rural development potential. Due to the length of the Eskom power lines from the power stations to the Kouga area and the inherent characteristics of the Kouga network, the area experiences power quality and voltage instability. This results in secondary agricultural processing companies, small and commercial scale farmers, experiencing an intermittent and sometimes unreliable supply of electricity. The project could thus assist in stabilising energy supply to the Eastern Cape and in particular the Kouga Municipal area.

WHAT DOES THIS DOCUMENT TELL YOU?

This document provides you, as an interested and or affected party (I&AP) with background information on the proposed project as well as the Environmental Assessment and Public Participation process that will be undertaken for the project. It indicates how you can become involved in the project, receive information and raise issues that may interest and/or concern you. The sharing of information forms an important component of the Public Participation process and provides you with the opportunity to become actively involved in the environmental assessment

process from the outset. The input received from I&APs together with scientific investigations assists the responsible authority, in this instance the National Department of Environmental Affairs (DEA), with their decision-making.

PROJECT LOCATION AND DETAIL

The Ubuntu Wind Energy project is located on the farms Zuurbron and Vlakteplaas, Kouga Municipal Area approximately 3km north of the town of Jeffrey's Bay, as follows:

- Remainder of farm 830, Kransplaas, (Farm Zuurbron)
- Portions 2/3/4/5/6/7 of farm 854 (Vlakteplaas)
- Farms 307/5; Div Humansdorp
- 307/6; Div Humansdorp
- 307/7 Div Humansdorp
- Farm 845, Div Humansdorp

The locality map included with this Background Information Document provides an overview of the erven included in this application.

The Ubuntu Wind Energy Project is proposed to be developed in two phases, both of which are covered in this EIA:

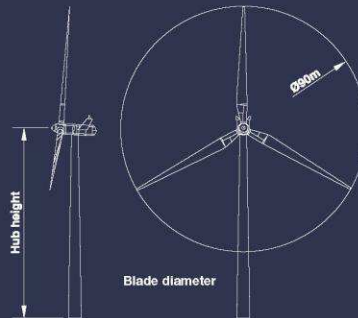
- Phase 1 (2013): approximately 25 turbines x 2 MW = 50 MW
- Phase 2 (2014): approximately 25 turbines x 2 MW = 50 MW

While the total capacity of this project is capped at 100 MW, the capacity of each phase is dependent on progress with other projects in the region and may be amended during the EIA process. The key components of the project will include the following:

- Construction of hard standing surfaces of approximately 16m diameter and 2.7m depth
- The installation of approximately 33 to 50 wind turbines of approximately 2 to 3 MW each with a hub height of up to 105 meters and a blade diameter of approximately 90 meters
- Three wind monitoring masts of up to 100m high
- Gravel access roads to the turbines, with the intent being to upgrade existing roads as far as possible
- Construction of hard standing areas for use by cranes during construction. These areas will be retained for future maintenance use
- Power line connections between the wind turbines and the Eskom grid

- Construction is undertaken in three distinct components:
 - civil construction,
 - electrical installation and wind turbine erection, and
 - commissioning.

The construction and commissioning phase of the project will typically require a period of 8 to 12 months. The operational life span of the wind turbines is expected to be a minimum of 25 years which can be extended through regular maintenance and/or upgrades in technology. The project is implemented in such a manner which allows other activities (such as farming) to continue around the turbine. Typically in a wind farm, the turbines and supporting infrastructure (e.g. roads) occupy up to 5% of the total area of the wind farm.



ENVIRONMENTAL ASSESSMENT PROCESS

An application for Environmental Impact Assessment was submitted to the National Department of Environmental Affairs on 12 December 2009 and as such is subject to the 2006 NEMA EIA regulations as outlined below. DEA has allocated the following reference number to this application 12/12/20/1752.

In terms of Regulations 385, 386 and 387 promulgated under Chapter 5 of the National Environmental Management Act (NEMA, Act 107 of 1998) in Government Gazette 28753 on 21 April 2006,

an environmental assessment process is being conducted for the proposed wind farm. The proposed project requires full Scoping and Environmental Impact Assessment, in particular because it includes the following activities listed under GN R 387:

1. The construction of facilities or infrastructure, including associated structures or infrastructure, for –
 - (a) the generation of electricity where –
 - (i) the electricity output is 20 megawatts or more; or
 - (ii) the elements of the facility cover a combined area in excess of 1 hectare;
 - (i) the transmission and distribution of above ground electricity with a capacity of 120 kilovolts or more;
10. Any process or activity identified in terms of section 53(1) of the National Environmental Management: Biodiversity Act, 2004 (Act No. 10 of 2004)

And the following activity listed in GN R 386:

15. The construction of a road that is wider than 4 metres or that has a reserve wider than 6 metres, excluding roads that fall within the ambit of another listed activity or which are access roads of less than 30 metres long.

The listed activities require authorisation from the National Department of Environmental Affairs (DEA). The environmental assessment needs to show the responsible authority, DEA, and the project proponent, Windcurrent SA (Pty) Ltd and WKN Windkraft Nord AG, what the consequences of their choices will be in biophysical, social and economic terms. The CSIR has been appointed by the Joint Venture to undertake the Environmental Assessment (EIA) required for the project and Public Process Consultants will manage the public participation component of the EIA. Public involvement forms an important component of this process, by assisting in the identification of issues and alternatives to be evaluated.

The Amended NEMA EIA Regulations (Notices GN R. 543, 544, 545, and 546) were published in Government Gazette No. 33306 of 18 June 2010, and came into effect on 2 August 2010. This application was initiated in December 2009, prior to the enactment of the Amended Regulations, and will therefore be dealt with in terms of GN R 385, 386 and 387 as outlined above. However in line with Regulation 76 (3) of the Amended EIA Regulations, any impacts associated with listed activities which are included in the Amended listing notices, which were not listed under the listing notices GN R386 and 387, will be assessed as part of this EIA process.

The Environmental Assessment Process being implemented can be summarised as follows:

Stage 1: Environmental Scoping (proposed dates: end of 2010 until mid-2011)

This Scoping process is being planned and conducted in a manner that is intended to provide sufficient information to enable the authorities to reach a decision regarding the scope of issues to be addressed in the EIA, and in particular to convey the range of specialist studies that will be included as part of the Environmental Impact Reporting Phase of the EIA, as well as the approach to these specialist studies. Within this context, the objectives of this Scoping process are to:

- Identify and inform a broad range of stakeholders about the proposed development;
- Clarify the scope and nature of the proposed activities and the alternatives being considered;
- Through a process of broad-based consultation with stakeholders, conduct an open, participatory and transparent participation process and facilitate the inclusion of stakeholders' concerns in the decision-making process; and
- Identify and document the key issues to be addressed in the forthcoming Environmental Impact Reporting Phase of the EIA.

Stage 2: Environmental Impact Assessment (proposed dates: mid-2011 until end of 2011)

The purpose of this stage of the EIA is to undertake specialist investigations to address the issues of concern identified through the Scoping Process. This includes the assessment of alternatives, identification of impacts and the determination of the significance of impacts. Specialists will, where appropriate, formulate mitigatory measures to maximise positive benefits or avoid/minimise potential negative impacts. The following specialist assessments have been identified, at this stage, to form part of the environmental assessment phase of the project:

- Ecological Assessment (flora and terrestrial fauna) – Jamie Pote
- Avifauna Assessment (Birds) – Chris van Rooyen, Chris van Rooyen Consulting
- Bats Assessment – Dr Samantha Stoffberg, University of Stellenbosch and Stephanie Dippenaar, CSIR
- Visual Impact Assessment – Henry Holland, Mapthis Trust
- Noise Impact Assessment – Brett Williams, Safetech
- Archaeology Assessment – Dr Johan Binnerman, Albany Museum
- Palaeontology – Dr John Almond, Natura Viva cc

PUBLIC PARTICIPATION PROCESS

Public Participation forms an integral component of the scoping and environmental impact assessment process. The following outlines the steps in the public participation process which will be undertaken to run in parallel to stage one and two of the EIA process.

Step 1: Notify Authorities of Environmental Impact Assessment Process

An application for Scoping and EIA was submitted to the National Department of Environmental Affairs on 12 December 2009 and DEA EIA reference no 12/12/20/1752 allocated to this application.

Step 2: Notification to I&APs and identification of issues

Step two entails providing notification to I&APs of the project proposal as well as the identification of any issues/concerns they may have. I&APs are provided with a Background Information Document (BID) on the project, including a locality map and a comment form. One-on-one meetings will be conducted with relevant stakeholders, where required, during this phase of the process. I&APs will be provided with a minimum of a 30-day period within which to raise any issues of concern for inclusion in the Draft Scoping Report.

Step 3: I&AP Review of the Draft Scoping Report

All issues and concerns raised by I&APs are compiled into an Issues and Responses Trail for inclusion in the Draft Scoping Report which is released for a 40-day comment period. This report will also include the Plan of Study for EIA. All I&APs on the project database will be notified in writing of the opportunity to comment on the report, which will include an executives summary of the Draft Scoping Report and comment form. Copies of the report can be downloaded from the website www.publicprocess.co.za. In order to assist I&APs with their understanding of the project and to facilitate the identification of issues and concerns for inclusion in the Final Scoping Report, it is proposed that a public meeting, to which all I&APs are invited, is held during the review period.

Step 4: Final Scoping Report

The comments received from I&APs during the review process are considered in the compilation of the Final Scoping Report before it is submitted to the DEA for their decision making. All I&APs on the project database will be notified in writing of the submission of the Final Scoping Report, to the authorities (DEA) and will be informed of any additional comment period if applicable.

**Environmental Impact Assessment for the
proposed Ubuntu Wind Energy Project near
Jeffrey's Bay, Eastern Cape:
Draft Scoping Report**

Appendix H:

**Correspondence from
Interested and Affected Parties**

APPENDIX H:
Correspondence received from I&APs prior to the release of the Draft Scoping Report

FROM : CILLIERS---

PHONE NO. : 0515224690

APR. 26 2011 02:02AM P1

SCOPING PHASE

PUBLIC INVOLVEMENT PROCESS REPLY FORM

SCOPING AND ENVIRONMENTAL IMPACT ASSESSMENT PROCESS
 UBUNTU WIND ENERGY PROJECT, FARMS ZUURBRON AND VLAKTEPLAAS,
 KOUGA MUNICIPALITY

Windcurrent SA (Pty) Ltd, in a Joint Venture with WKN Windkraft Nord AG (the project applicants), are proposing the establishment of a wind energy facility, with a maximum generation capacity of 100 MW, on the Farms Zuurbron and Vlakteplaas in the Kouga Municipal area, Eastern Cape Province

Listed Activities: GN R387 Activity 1. (a) (i), (ii) and (l); and 10. and in GN R386 Activity 15.

Return Completed Reply Form by to:

Public Process Consultants, PO Box 27688, Greenacres 6057

Phone: 041 - 374 8426 or Fax 041-373 2002 or Email sandy@publicprocess.co.za

Please Complete all Relevant Sections Below and Return By:

3 December 2010

Please provide your full contact details:

FIRST NAME: ANDRÉ SURNAME: CILLIERS
 ORGANISATION: _____ DESIGNATION: PENSIENAR
 POSTAL ADDRESS: P.O. Box 32072, FICHARDT PARK
 CODE: 9317
 PHONE: 051: 5224690 FAX: 051: 5224690
 CELL: 082: 7732163 EMAIL: andre.cilliers@yahoo.com

Email:

Would you like to register as an interested and affected party? (please tick the appropriate box)

NOTE: You are required to register as an I&AP in order to receive further correspondence regarding the EIA process.

<input checked="" type="checkbox"/>	YES
<input type="checkbox"/>	NO

Yes

Please clearly state any interest you may have in the project and/or list your issues and concerns or objections. You may use additional pages if required.

1. DIRECTLY AFFECTED, BECAUSE I AM THE NEIGHBOUR OF J. Steenkamp and Frank Luther.
2. WHAT IMPACT WILL THIS HAVE ON US AS DIRECT NEIGHBOURS, E.G. (a) WILD LIFE, BIRDS AND NOISE-WISE, CURA CATTLE ON FARM?
3. WHAT WILL IMPACT BE ON OUR VIEW TOWARDS THE SEA AND MOUNTAINS?
4. HOW WILL MAINTENANCE OF WIND ENERGY AFFECT US?
5. PLEASE TELL US (A) ALL ADVANTAGES FOR US (B) ALL DISADVANTAGES FOR US.

Registration and comments form for Issues & Concerns



agriculture,
forestry & fisheries

Department:
Agriculture, Forestry and Fisheries
REPUBLIC OF SOUTH AFRICA

Private Bag X120, Pretoria (Tshwane), 0001
Delpen Building, c/o Annie Botha & Union Street, Riviera, 0084

From: Directorate Land Use and Soil Management
Tel: 012-319-7678 Fax: 012-329-5938 e-mail:
Enquiries: Help Desk Ref: 2010_06_0056

CSIR
PO Box 320
STELLENBOSCH
7599

2010-10-12

Dear Sirs

**PROPOSED REZONING AND LEASE APPLICATIONS: ON THE ERECTION OF
WIND MONITORING MASTS**

Your letter dated 16 March 2010 refers.

With reference to the above-mentioned matter I wish to inform you that this Department is in the process of drafting a wind development and farming guidelines and therefore all wind development applications will be put on hold and only evaluated when the process has been finalized.

All applicants will be informed accordingly in due course once the guidelines have been finalized.

Yours faithfully

Ms. M.C. Marubini

DELEGATE OF THE MINISTER: LAND USE AND SOIL MANAGEMENT

ML Brenchley 2010/ rezoning Wind Farms Rezoning & Lease

SCOPING PHASE
PUBLIC INVOLVEMENT PROCESS REPLY FORM

SCOPING AND ENVIRONMENTAL IMPACT ASSESSMENT PROCESS
UBUNTU WIND ENERGY PROJECT, FARMS ZUURBRON AND VLAKTEPLAAS,
KOUGA MUNICIPALITY

Windcurrent SA (Pty) Ltd, in a Joint Venture with WKN Windkraft Nord AG (the project applicants), are proposing the establishment of a wind energy facility, with a maximum generation capacity of 100 MW, on the Farms Zuurbron and Vlakteplaas in the Kouga Municipal area, Eastern Cape Province

Listed Activities: GN R387 Activity 1. (a) (i), (ii) and (l); and 10. and in GN R386 Activity 15.

Return Completed Reply Form by to:

Public Process Consultants, PO Box 27688, Greenacres 6057
 Phone: 041 – 374 8426 or Fax 041-373 2002 or Email sandy@publicprocess.co.za

Please Complete all Relevant Sections Below and Return By:
3 December 2010

please provide your full contact details:

FIRST NAME: Elizabeth	SURNAME: PEREIRA
ORGANISATION: Private	DESIGNATION:
POSTAL ADDRESS: P.O. Box 2015 Jeffrey's Bay	
CODE: 6331	
PHONE: 082-447-5645	FAX: 0866 534489
CELL: →	EMAIL: nuplant@vodamail.co.za

Would you like to register as an Interested and affected party? (please tick the appropriate box)

NOTE: You are required to register as an I&AP in order to receive further correspondence regarding the EIA process.

YES	<input checked="" type="checkbox"/>
NO	<input type="checkbox"/>

Please clearly state any interest you may have in the project and/or list your issues and concerns or questions you may have (use additional pages if required)

**SCOPING PHASE
 PUBLIC PARTICIPATION PROCESS REPLY FORM**

**SCOPING AND ENVIRONMENTAL IMPACT ASSESSMENT PROCESS
 UBUNTU WIND ENERGY PROJECT, FARMS ZUURBRON AND VLAKTEPLAAS,
 KOUGA MUNICIPALITY**

Windcurrent SA (Pty) Ltd, in a Joint Venture with WKN Windkraft Nord AG (the project applicants), are proposing the establishment of a wind energy facility, with a maximum generation capacity of 100 MW, on the Farms Zuurbron and Vlakteplaas in the Kouga Municipal area, Eastern Cape Province

Listed Activities: GN R387 Activity 1. (a) (i), (ii) and (i); and 10. and in GN R386 Activity 15.

Return Completed Reply Form by to:

Public Process Consultants, PO Box 27688, Greenacres 6057
 Phone: 041 - 374 8426 or Fax 041-373 2002 or Email sendy@publicprocess.co.za

Please Complete all Relevant Sections Below and Return By
 3 December 2010

Please provide your full contact details:

FIRST NAME: Jacques SURNAME: Steenkamp
 ORGANISATION: Peet Steenkamp Fam. Trust DESIGNATION:
 POSTAL ADDRESS: Bus 915 Humansdorp
 CODE: 6300
 PHONE: 042 - 295 2734 FAX: 042 - 295 2283
 CELL: 082 925 3932 EMAIL: njala@safaris@xsinet.co.za

Email

Would you like to register as an interested and affected party? (please tick the appropriate box)

NOTE: You are required to register as an I&AP in order to receive further correspondence regarding the EIA process.

<input checked="" type="checkbox"/> YES
<input type="checkbox"/> NO

Please clearly state any interests you may have in the project and/or list your issues and concerns or questions you may have (use additional pages if required)

Registration of comments form the Issues & Concerns
 8 Nov. 2010 8:40 JACQUES STEENKAMP 0422952283 P. 1 No. 0763

SCOPING PHASE
PUBLIC INVOLVEMENT PROCESS REPLY FORM

SCOPING AND ENVIRONMENTAL IMPACT ASSESSMENT PROCESS
UBUNTU WIND ENERGY PROJECT, FARMS ZUURBRON AND VLAKTEPLAAS,
KOUGA MUNICIPALITY

Windcurrent SA (Pty) Ltd, in a Joint Venture with WKN Windkraft Nord AG (the project applicants), are proposing the establishment of a wind energy facility, with a maximum generation capacity of 100 MW, on the Farms Zuurbron and Vlakteplaas in the Kouga Municipal area, Eastern Cape Province

Listed Activities: GN R387 Activity 1. (a) (i), (ii) and (l); and 10. and in GN R386 Activity 15.

Return Completed Reply Form by to:

Public Process Consultants, PO Box 27688, Greenacres 6057

Phone: 041 - 374 8426 or Fax 041-373 2002 or Email sandy@publicprocess.co.za

Please Complete all Relevant Sections Below and Return By:

3 December 2010

Please provide your full contact details:

FIRST NAME: JEROME SURNAME: PEREIRA
 ORGANISATION: PRIVATE! DESIGNATION:
 POSTAL ADDRESS: P.O. Box 39187 FARRIE-GLEN PTA.
 CODE: 0043
 PHONE: 012 346 8974 FAX: 012-323-6556 - Email
 CELL: 082-882-4728 EMAIL: jerome@evergreens.co.za
 Email:

Would you like to register as an interested and affected party? (please tick the appropriate box)

NOTE: You are required to register as an I&AP in order to receive further correspondence regarding the EIA process.

YES <input checked="" type="checkbox"/>
NO <input type="checkbox"/>

Please clearly state any interest you may have in the project and/or list your issues and concerns or questions you may have (use additional pages if required)

Registration and comments form for Issues & Concerns



111 HARRINGTON STREET, CAPE TOWN, 8000
PO BOX 4637, CAPE TOWN, 8000
TEL: (021) 462 4502 FAX: (021) 462 4509

DATE: 03 December 2010
ENQUIRIES: Mariagrazia Galimberti
Archaeology, Palaeontology and Meteorite Unit
E-mail: mgalimberti@sahra.org.za
Web site: www.sahra.org.za

Our Ref. Number: 9/2/044/0001
DEA Ref. Number: 12/12/20/1752

Ms Sandy Wren
PO Box 27688
Greenacres 6057
Port Elizabeth
6001

Dear Ms Wren,

NOTICE OF SCOPING AND ENVIRONMENTAL IMPACT ASSESSMENT PROCESS FOR THE PROPOSED UBUNTU WIND ENERGY PROJECT, FARM ZUURBRON AND VLAKTEPLAAS, KOUGA MUNICIPALITY, EASTERN CAPE PROVINCE (DEA Reference Number 12/12/20/1752).

We received notification for intention to develop in this area wind energy facilities in two phases in this area.

SAHRA acknowledges that CSIR has appointed both an archaeologist and a palaeontologist to undertake a impact assessment on the possible heritage resources present in the area. Please note that other heritage resources must also be addressed in a Heritage Impact Assessment such as built structures over 60 years old, sites of cultural significance associated with oral histories, burial grounds and graves, graves of victims of conflict and cultural landscapes.

Many thanks for your co-operation
Kind regards

pp Mrs Nonofho Ndobochani
SAHRA: Archaeology, Palaeontology and Meteorite Unit
For: CHIEF EXECUTIVE OFFICE

Copies: PHRA Eastern Cape Office

SCOPING PHASE
PUBLIC INVOLVEMENT PROCESS REPLY FORM

SCOPING AND ENVIRONMENTAL IMPACT ASSESSMENT PROCESS
UBUNTU WIND ENERGY PROJECT, FARMS ZUURBRON AND VLAKTEPLAAS,
KOUGA MUNICIPALITY

Windcurrent SA (Pty) Ltd, in a Joint Venture with WKN Windkraft Nord AG (the project applicants), are proposing the establishment of a wind energy facility, with a maximum generation capacity of 100 MW, on the Farms Zuurbron and Vlakteplaas in the Kouga Municipal area, Eastern Cape Province

Listed Activities: GN R387 Activity 1. (a) (i), (ii) and (l); and 10. and in GN R386 Activity 15.

Return Completed Reply Form by to:

Public Process Consultants, PO Box 27688, Greenacres 6057
Phone: 041 - 374 8426 or Fax 041-373 2002 or Email sandy@publicprocess.co.za

Please Complete all Relevant Sections Below and Return By:
3 December 2010

Please provide your full contact details:

FIRST NAME: OCKERT	SURNAME: STRUMPHER
ORGANISATION: FLASHCOR 158 cc	DESIGNATION: MANAGING MEMBER
POSTAL ADDRESS: P.O. BOX 5469	
CODE: 6070	
PHONE: 041 - 5812462	FAX: 041 - 5817799
CELL: 0828068973	EMAIL: ockie.strumpher@sappi.com

Email:

Would you like to register as an interested and affected party? (please tick the appropriate box)

NOTE: You are required to register as an I&AP in order to receive further correspondence regarding the EIA process.

YES <input checked="" type="checkbox"/>
NO <input type="checkbox"/>

Please clearly state any interest you may have in the project and/or list your issues and concerns or questions you may have (use additional pages if required)

- Neighbouring Property - Vrede Farm :-
- 1) Concerns regarding environmental impact to Fauna & Flora and general farming.
 - 2) Possible increase in crime during construction phase due to increased human activity - currently very good!
 - 3) Future expansion with additional turbines?

Registration and comments form for Issues & Concerns

SCOPING PHASE

PUBLIC INVOLVEMENT PROCESS REPLY FORM

**SCOPING AND ENVIRONMENTAL IMPACT ASSESSMENT PROCESS
UBUNTU WIND ENERGY PROJECT, FARMS ZUURBRON AND VLAKTEPLAAS,
KOUGA MUNICIPALITY**

Windcurrent SA (Pty) Ltd, in a Joint Venture with WKN Windkraft Nord AG (the project applicants), are proposing the establishment of a wind energy facility, with a maximum generation capacity of 100 MW, on the Farms Zuurbron and Vlakteplaas in the Kouga Municipal area, Eastern Cape Province

Listed Activities: GN R387 Activity 1. (a) (i), (ii) and (l); and 10. and in GN R386 Activity 15.

Return Completed Reply Form by to:

Public Process Consultants, PO Box 27688, Greenacres 6057

Phone: 041 - 374 8426 or Fax 041-373 2002 or Email sandy@publicprocess.co.za

Please Complete all Relevant Sections Below and Return By:

3 December 2010

Please provide your full contact details:

FIRST NAME: CHRIS SURNAME: COOMBS
ORGANISATION: SOVEREIGN FOODS DESIGNATION: CFO
POSTAL ADDRESS: PO BOX 124, WITENHAGE
CODE: 6230
PHONE: 041 995 1323 FAX: 056 653 0105
CELL: 082 805 6363 EMAIL: COOMBS@SOVFOODS.CO.ZA

Email:

Would you like to register as an interested and affected party? (please tick the appropriate box)

NOTE: You are required to register as an I&AP in order to receive further correspondence regarding the EIA process

YES
 NO

Please clearly state any interest you may have in the project and/or list your issues and concerns or questions you may have (use additional pages if required)

Registration and comments form for Issues & Concerns

PUBLIC INVOLVEMENT PROCESS REPLY FORM

**SCOPING AND ENVIRONMENTAL IMPACT ASSESSMENT PROCESS
 UBUNTU WIND ENERGY PROJECT, FARMS ZUURBRON AND VLAKTEPLAAS,
 KOUGA MUNICIPALITY**

Windcurrent SA (Pty) Ltd, in a Joint Venture with WKN Windkraft Nord AG (the project applicants), are proposing the establishment of a wind energy facility, with a maximum generation capacity of 100 MW, on the Farms Zuurbron and Vlakteplaas in the Kouga Municipal area, Eastern Cape Province

Listed Activities: GN R387 Activity 1. (a) (i), (ii) and (l); and 10. and in GN R386 Activity 15.

Return Completed Reply Form by to:

Public Process Consultants, PO Box 27688, Greenacres 6057
 Phone: 041 – 374 8426 or Fax 041-373 2002 or Email sandy@publicprocess.co.za

Please Complete all Relevant Sections Below and Return By:

3 December 2010

Please provide your full contact details:

FIRST NAME: REVIVAL SURNAME: MINGUUI
 ORGANISATION: DEPT OF AGRICULTURE DESIGNATION: LAND USE ADVISOR
 POSTAL ADDRESS: P/Bag x120, PRETORIA, 0001
 CODE: 0001
 PHONE: 012 - 319 7439 FAX: 012 - 329 5938
 CELL: 018 475 3274 EMAIL: Revivalm@daff.gov.za

Email:

Would you like to register as an interested and affected party? (please tick the appropriate box)

NOTE: You are required to register as an I&AP in order to receive further correspondence regarding the EIA process.

YES	<input checked="" type="checkbox"/>
NO	<input type="checkbox"/>

Please clearly state any interest you may have in the project and/or list your issues and concerns or questions you may have (use additional pages if required)

From: Sandy Wren [sandy@publicprocess.co.za]
Sent: 17 November 2010 07:53 AM
To: 'Elton'
Subject: RE: UBUNTU 12/12/20/1752

Hi Bridget, we will ensure that the St Francis Kromme Trust remains on the database for the project.

Sandy Wren
Public Process Consultants
PO Box 27688, Greenacres, 6057
120 Diaz Road, Adcockvale, PE, 6001
Phone: 041 374 8426
Fax: 041 373 2002
Cell: 082 4909 828
www.publicprocess.co.za

From: Elton [mailto:eltonem@telkomsa.net]
Sent: 16 November 2010 04:55 PM
To: Sandy Wren
Subject: UBUNTU 12/12/20/1752

Dear Sandy

Please register the St Francis Kromme Trust as an I&A party:

Chairman: Chris Barratt. P.O.Box 76, St Francis Bay, 6312, tel 042 294 0596, e-mail: krommetrust@barratt.co.za

Regards
Bridget Elton

From: Sandy Wren [sandy@publicprocess.co.za]
Sent: 05 November 2010 10:15 AM
To: 'davidbarkes'
Subject: RE: Windcurrent SA (Pty) Ltd
Attachments: PProcess Ubuntu WindEnergy - for web.pdf; Zuurbron EIA - comment form pre scoping - final - 28Oct2010.pdf; Zuurbron EIA - Letter 1 Notice to IAPs - final for merging - 28Oct10.pdf

Hi Dave and Carol

Thank you for providing us with your input. We will ensure that the issues you have raised are included in the Draft Scoping Report and the specialist studies that will form part of the EIA phase of the Assessment, this will include, amongst others, a Visual Impact Assessment and a Noise Impact

Assessment. Please find attached project documentation that is available. We will ensure that you are included on the project database and provided with notification of reports available for public comment. The first stage of the process, Scoping, entails identifying issues and concerns for inclusion in the specialists studies that will form part of the next phase of the project.

Sandy Wren
Public Process Consultants
PO Box 27688, Greenacres, 6057
120 Diaz Road, Adcockvale, PE, 6001
Phone: 041 374 8426
Fax: 041 373 2002
Cell: 082 4909 828
www.publicprocess.co.za

From: davidbarkes [<mailto:info@kabeljauws.co.za>]
Sent: 05 November 2010 09:03 AM
To: sandy@publicprocess.co.za
Subject: Windcurrent SA (Pty) Ltd

Dear Sir,

We would like to raise our concern regarding the proposed establishment of a wind energy facility between the Gamtoos and Kabeljauws Rivers.

Our home on the Kabeljauws River faces North in the direction of the project and we fear that our beautiful view, peace and tranquility will be disturbed.

Will you please add our concern onto the project register. If you visit our website www.kabeljauws.co.za you can see the view we are referring to.

Yours sincerely,

Dave and Carole Barkes
16 Lagune View
Jeffreys Bay
Tel 041-368 5816
Fax 041- 368 6257
mobile 079 505 3390
www.kabeljauws.co.za

From: Sandy Wren [sandy@publicprocess.co.za]
Sent: 11 November 2010 07:38 AM
To: 'Elsabe Koen'
Subject: RE: Ubuntu Wind Energy Project
Attachments: Zuurbron EIA - comment form pre scoping - final - 28Oct2010.doc;
Zuurbron EIA - Letter 1 Notice to IAPs - final for merging - 28Oct10.pdf; PProcess Ubuntu WindEnergy
- for web.pdf

Hi Elsabe

We will ensure that Donald is placed on the project database, attached are documents that are available on the project.

Sandy Wren
Public Process Consultants
PO Box 27688, Greenacres, 6057
120 Diaz Road, Adcockvale, PE, 6001
Phone: 041 374 8426
Fax: 041 373 2002
Cell: 082 4909 828
www.publicprocess.co.za

From: Elsabe Koen [mailto:elsabek@afriacoast.com]
Sent: 10 November 2010 09:28 AM
To: sandy@publicprocess.co.za
Cc: 'Donald McGillivray (Donald McGillivray)'
Subject: Ubuntu Wind Energy Project



Dear Sandy

Kindly register Mr Donald McGillivray as an interested party for the Ubuntu Wind Energy Project.

Regards

Elsabé Koen
Personal Assistant

Afri-Coast Engineers SA (Pty) Ltd PO Box 5104 E-
Mail:elsabek@afriacoast.com
Cnr Rose & Havelock
Street Walmer URL: www.afriacoast.com
Central 6065 Tel: +27 (41) 505
8000
Port Elizabeth South Africa Fax: +27 (41) 585
3437

Fax to Email: 086 295

7815

From: Sandy Wren [sandy@publicprocess.co.za]
Sent: 04 November 2010 02:41 PM
To: 'greg@cobcreek.com'
Subject: Windcurrent Wind Farm
Attachments: PProcess Ubuntu WindEnergy - for web.pdf; Zuurbron EIA - comment form pre scoping - final - 28Oct2010.doc; Zuurbron EIA - Letter 1 Notice to IAPs - final for merging - 28Oct10.pdf

Hi Greg

As discussed please find attached the documentation available on the project at this stage. I will ensure that you are placed on the project database and receive written notification of the various stages in the EIA process.

Please don't hesitate to contact me if you have any queries at any stage.

Sandy Wren
Public Process Consultants
PO Box 27688, Greenacres, 6057
120 Diaz Road, Adcockvale, PE, 6001
Phone: 041 374 8426
Fax: 041 373 2002
Cell: 082 4909 828
www.publicprocess.co.za

From: John Bouwer [john@bouwercorp.com]
Sent: 03 December 2010 01:38 PM
To: Sandy Wren
Cc: Danny Benson; Godfrey Africa; >
Subject: Re: Zuurbron Wind Energy

Dear Sandy

As the chamber we ask that you keep us updated of any information regarding the proposed wind farm.

We would also like to have a key focus group meeting between yourselves, the developers and the Executive members of the chamber as a matter of urgency.

Please dont hesitate to contact us in this regard.

Kind Regards

J Bouwer
President
Kouga Black Chamber of Commerce

----- Original Message -----

From: Sandy Wren
To: 'John Bouwer'
Sent: Wednesday, November 17, 2010 9:44 AM
Subject: RE: Zuurbron Wind Energy

Hi John

Please see attached.

Sandy Wren
Public Process Consultants
PO Box 27688, Greenacres, 6057
120 Diaz Road, Adcockvale, PE, 6001
Phone: 041 374 8426
Fax: 041 373 2002
Cell: 082 4909 828
www.publicprocess.co.za

From: John Bouwer [mailto:john@bouwercorp.com]
Sent: 17 November 2010 09:25 AM
To: Sandy Wren
Subject: Re: Zuurbron Wind Energy

Dear Sandy

We reviewed the documents that you sended through to Shaun, However the attatced documents that you sended where you require us to state.

Would you like to register as an interested and affected party? (please tick the appropriate box)

Would you kindly send that one in another format please. We want the Kouga Black Chamber of Commerce to be place on your list as a I/ AP.

I trust that you find the above-mentioned in order.

Kind Regards

John Bouwer

President

KBCC

----- Original Message -----

From: Sandy Wren

To: john@bouwercorp.com

Sent: Wednesday, November 10, 2010 12:24 PM

Subject: FW: Zuurbron Wind Energy

Information for Shaun

Sandy Wren

Public Process Consultants

PO Box 27688, Greenacres, 6057

120 Diaz Road, Adcockvale, PE, 6001

Phone: 041 374 8426

Fax: 041 373 2002

Cell: 082 4909 828

www.publicprocess.co.za

From: Sandy Wren [mailto:sandy@publicprocess.co.za]
Sent: 08 November 2010 03:09 PM
To: 's.geswindt@hotmail.com'
Subject: Zuurbron Wind Energy

Hi Shaun

Will ensure that you are registered on the database, I have attached some documentation that is available on the project at the moment.

I you have any queries at any stage please give me a call.

Sandy Wren
Public Process Consultants
PO Box 27688, Greenacres, 6057
120 Diaz Road, Adcockvale, PE, 6001
Phone: 041 374 8426
Fax: 041 373 2002
Cell: 082 4909 828
www.publicprocess.co.za

From: Sandy Wren [sandy@publicprocess.co.za]
Sent: 23 November 2010 08:49 AM
To: 'Leila Mahomed-Weideman'
Subject: RE: register as an I&AP for Ubuntu Windcurrent wind farm
Attachments: Zuurbron EIA - comment form pre scoping - final - 28Oct2010.doc;
Zuurbron EIA - Letter 1 Notice to IAPs - final for merging - 28Oct10.pdf; PProcess Ubuntu WindEnergy
- for web.pdf

Hi Leila

Will do, please find attached public participation documentation which is available at this stage of the process.

Regards

Sandy Wren
Public Process Consultants
PO Box 27688, Greenacres, 6057
120 Diaz Road, Adcockvale, PE, 6001
Phone: 041 374 8426
Fax: 041 373 2002
Cell: 082 4909 828
www.publicprocess.co.za

From: Leila Mahomed-Weideman [<mailto:Leila.Mahomed-Weideman@mainstreamrp.com>]
Sent: 22 November 2010 05:42 PM
To: sandy@publicprocess.co.za
Cc: Shahida Misbach
Subject: register as an I&AP for Ubuntu Windcurrent wind farm

Hi Sandy
Please can you register me as an I&AP for the Ubuntu Windcurrent wind farm.
Thanks
Leila



Leila Mahomed-Weideman
Director

Mainstream Renewable Power South Africa
1st Floor, St Albans on Cavendish,
Corner Osborne and Cavendish Roads, Claremont, 7708
alt. PO Box 45063, Claremont, 7735
Cape Town

Tel: +27 (0) 21-657 4043
Tel: +27 (0) 21-657 4040
Fax: +27 (0) 21-671 5665
Mob: +27 (0) 83 789 2923
leila.mahomed-weideman@mainstreamrp.com

please consider the environment - do you really need to print this email?

From: Fourie Lizna (ELS) [FourieL4@dwa.gov.za]
Sent: 08 December 2010 11:29 AM
To: Sandy Wren
Subject: FW: Ubuntu Wind Energy Project

Importance: High

Sandy

Herewith comments from our Resource Protection section

Regards

Lizna

From: Ntshebe Lorna
Sent: 08 December 2010 11:24 AM
To: Fourie Lizna (ELS)
Cc: Tshatshu Portrait; Sishuba Zanele (ELS)
Subject: FW: Ubuntu Wind Energy Project
Importance: High

Dear Lizna

Please receive Resource Protection comments regarding the above-mentioned development:

If the proposed development will be carried out below the 1:100 year floodline or riparian zone (whichever is the greatest), a water use authorization will be required,

If the Ubuntu Wind Energy project is likely to affect any wetlands, a water use license application in terms of Section 21 (c) & (i) of the National Water Act, 1998 (Act 36 of 1998) must be submitted to the department. Therefore, wetlands, if any, must be delineated and a technical report reflecting such should be submitted to the department,

If the proposed development will require any removal of vegetation and/or excavation of river banks, an authorization from the department will be required in terms of Section 21 (i) of the National Water Act, 1998 (Act 36 of 1998),

Any pipelines crossing a watercourse need to be authorized by the department in terms of Section 21 (c) & (i) of the National Water Act, 1998 (Act 36 of 1998) and

If the access gravel roads will cross any watercourse, and/or have any impact whatsoever on the watercourse, a water use authorization will be required.

Regards,

From: Fourie Lizna (ELS)
Sent: Monday, December 06, 2010 3:17 PM
To: Tshatshu Portrait; Ntshebe Lorna; Dweni Ncamile (PLZ)
Cc: Jacobs Joseph (PLZ); Bloem Marisa
Subject: FW: Ubuntu Wind Energy Project

Please see new development in WMA 15.

Regards

Lizna

From: Sandy Wren [<mailto:sandy@publicprocess.co.za>]
Sent: 06 December 2010 03:10 PM
To: Fourie Lizna (ELS)
Subject: Ubuntu Wind Energy Project

Hi Lizna

As discussed attached copies of the Ubuntu Wind Energy documents.

Sandy Wren
Public Process Consultants
PO Box 27688, Greenacres, 6057
120 Diaz Road, Adcockvale, PE, 6001
Phone: 041 374 8426
Fax: 041 373 2002
Cell: 082 4909 828
www.publicprocess.co.za

**SCOPING AND ENVIRONMENTAL IMPACT ASSESSMENT PROCESS
UBUNTU WIND ENERGY PROJECT, FARMS ZUURBRON AND
VLAKTEPLAAS, KOUGA MUNICIPALITY**

Windcurrent SA (Pty) Ltd, in a Joint Venture with WKN Windkraft Nord AG (the project applicants), are proposing the establishment of a wind energy facility, with a maximum generation capacity of 100 MW, on the Farms Zuurbron and Vlakteplaas in the Kouga Municipal area, Eastern Cape Province

Listed Activities: GN R387 Activity 1. (a) (i), (ii) and (l); and 10. and in GN R386 Activity 15.

Return Completed Reply Form by to:

Public Process Consultants, PO Box 27688, Greenacres 6057

Phone: 041 – 374 8426 or Fax 041-373 2002 or Email sandy@publicprocess.co.za

Please Complete all Relevant Sections Below and Return By:

3 December 2010

Please provide your full contact details:

FIRST NAME: Marisa

SURNAME: Bloem

ORGANISATION: Department of Water Affairs

DESIGNATION:

POSTAL ADDRESS: 140 Govan Mbeki Avenue, Starport building, Port Elizabeth

CODE: 6000

PHONE: 041 586 4884

FAX: 086 560 5042

CELL: 083 232 9822

EMAIL: bloemm@dwa.gov.za

Email:

Would you like to register as an interested and affected party? (please tick the appropriate box)

NOTE: You are required to register as an I&AP in order to receive further correspondence regarding the EIA process.

YES

✓

NO

Please clearly state any interest you may have in the project and/or list your issues and concerns or questions you may have (use additional pages if required)

From: Sandy Wren [sandy@publicprocess.co.za]
Sent: 30 November 2010 09:33 AM
To: 'Mark Ralph'
Subject: RE: Proposed Ubuntu Wind Engery Project
Attachments: PProcess Ubuntu WindEnergy - for web.pdf; Zuurbron EIA - comment
form pre scoping - final - 28Oct2010.doc; Zuurbron EIA - Letter 1 Notice to IAPs - final for merging -
28Oct10.pdf

Hi Mark

Will do, please find attached documents that are available at this stage of the process.

Sandy Wren
Public Process Consultants
PO Box 27688, Greenacres, 6057
120 Diaz Road, Adcockvale, PE, 6001
Phone: 041 374 8426
Fax: 041 373 2002
Cell: 082 4909 828
www.publicprocess.co.za

From: Mark Ralph [mailto:MRalph@sovfoods.co.za]
Sent: 29 November 2010 05:37 PM
To: sandy@publicprocess.co.za
Subject: RE: Proposed Ubuntu Wind Engery Project

Hi Sandy

Hope you are well.

Will you keep both myself and Chris informed in this regard.

Thanks Mark

**SCOPING AND ENVIRONMENTAL IMPACT ASSESSMENT PROCESS
UBUNTU WIND ENERGY PROJECT, FARMS ZUURBRON AND VLAKTEPLAAS, KOUGA
MUNICIPALITY**

Windcurrent SA (Pty) Ltd, in a Joint Venture with WKN Windkraft Nord AG (the project applicants), are proposing the establishment of a wind energy facility, with a maximum generation capacity of 100 MW, on the Farms Zuurbron and Vlakteplaas in the Kouga Municipal area, Eastern Cape Province
Listed Activities: **GN R387 Activity 1. (a) (i), (ii) and (l); and 10. and in GN R386 Activity 15.**

Return Completed Reply Form by to:

Public Process Consultants, PO Box 27688, Greenacres 6057

Phone: 041 – 374 8426 or Fax 041-373 2002 or Email sandy@publicprocess.co.za

Please Complete all Relevant Sections Below and Return By:

3 December 2010

Please provide your full contact details:

FIRST NAME: Mark

SURNAME: Tanton

ORGANISATION: Red Cap

DESIGNATION: MD

POSTAL ADDRESS: 24 Kestrel Way, Kenrock Estate, Hout Bay ,

CODE: 7806

PHONE: 021 790 1382

FAX:

CELL:

EMAIL: mark@red-cap.co.za

Email:

Would you like to register as an interested and affected party? (please tick the appropriate box)

NOTE: You are required to register as an I&AP in order to receive further
correspondence regarding the EIA process.

yes

Please clearly state any interest you may have in the project and/or list your issues and concerns or questions you may have (use additional pages if required)

Wind developer active in region.

**SCOPING AND ENVIRONMENTAL IMPACT ASSESSMENT PROCESS
UBUNTU WIND ENERGY PROJECT, FARMS ZUURBRON AND VLAKTEPLAAS, KOUGA
MUNICIPALITY**

Windcurrent SA (Pty) Ltd, in a Joint Venture with WKN Windkraft Nord AG (the project applicants), are proposing the establishment of a wind energy facility, with a maximum generation capacity of 100 MW, on the Farms Zuurbron and Vlakteplaas in the Kouga Municipal area, Eastern Cape Province
Listed Activities: **GN R387 Activity 1. (a) (i), (ii) and (l); and 10. and in GN R386 Activity 15.**

Return Completed Reply Form by to:

Public Process Consultants, PO Box 27688, Greenacres 6057

Phone: 041 – 374 8426 or Fax 041-373 2002 or Email sandy@publicprocess.co.za

Please Complete all Relevant Sections Below and Return By:

3 December 2010

Please provide your full contact details:

FIRST NAME: NCAMILE

SURNAME: DWENI

ORGANISATION: DWA

DESIGNATION: SCIENTIST PRODUCTION

POSTAL ADDRESS: P/BAG X6041, Port Elizabeth,

CODE: 6000

PHONE: 041 586 4884

FAX: 086 617 5223

CELL: 082 800 8363

EMAIL:

Email: dwenin@dwa.gov.za

Would you like to register as an interested and affected party? (please tick the appropriate box)

NOTE: You are required to register as an I&AP in order to receive further correspondence regarding the EIA process.

YES	<input checked="" type="checkbox"/>
NO	<input type="checkbox"/>

Please clearly state any interest you may have in the project and/or list your issues and concerns or questions you may have (use additional pages if required)

TO LOOK TO ANY WATER USE LEGISLATION REQUIREMENT OF THIS PROJECT

From: Patrick Cull [mailto:pdhcull@iafrica.com]
Sent: 05 November 2010 07:59 AM
To: sandy@publicprocess.co.za
Subject: ubuntu wind energy project

Hullo Sandy

Trust you're well. As you may know I have left the Herald - doing some stuff for Weekend Post and planning to produce a business magazine for Nelson Mandela Bay in February next year.

Will you register as an interested party for the above project - the Eastern cape landscape is going to be one long windfarm!

Keep very well

Patrick

From: RevivalM [RevivalM@nda.agric.za]
Sent: 26 November 2010 08:48 AM
To: sandy@publicprocess.co.za
Cc: SiphesihleZ; MashuduMa
Subject: EIA - Ubuntu wind energy project, farms Zuurbron and vlakteplaas Kouga Municipality
Attachments: KMBT25020101126065932.pdf

Follow Up Flag: Follow up
Flag Status: Flagged

Dear Sandy

Attached is a completed form for a representative from DAFF. This indicates an interest of DAFF to be involved in the above mentioned EIA process. Kindly confirm the receipt of this e-mail.

Many Thanks

Revival Mnguni
Subdivision of Agricultural Land

Tel: 012 - 319 7439
Fax: 012 - 329 5938
Mobile: 078 475 3274
E-mail: RevivalM@daff.gov.za

From: Sandy Wren [sandy@publicprocess.co.za]
Sent: 08 November 2010 03:09 PM
To: 's.geswindt@hotmail.com'
Subject: Zuurbron Wind Energy
Attachments: PProcess Ubuntu WindEnergy - for web.pdf; Zuurbron EIA - comment form pre scoping - final - 28Oct2010.doc; Zuurbron EIA - Letter 1 Notice to IAPs - final for merging - 28Oct10.pdf

Hi Shaun

Will ensure that you are registered on the database, I have attached some documentation that is available on the project at the moment.

I you have any queries at any stage please give me a call.

Sandy Wren
Public Process Consultants
PO Box 27688, Greenacres, 6057
120 Diaz Road, Adcockvale, PE, 6001
Phone: 041 374 8426
Fax: 041 373 2002
Cell: 082 4909 828
www.publicprocess.co.za