

DETAILS OF TERMINAL STRUCTURE

L	REGULATEDON REMOVED FROM TITLE BLOCK	N.K.	P.A.T.	P.A.T.	31.01.2012	
B	ISSUED FOR PUBLICATION	SLR	RAB	AB	FEB 2005	
REV	REVISION DESCRIPTION	BY	CHKD	AUTH	DATE	PROJECT NO.

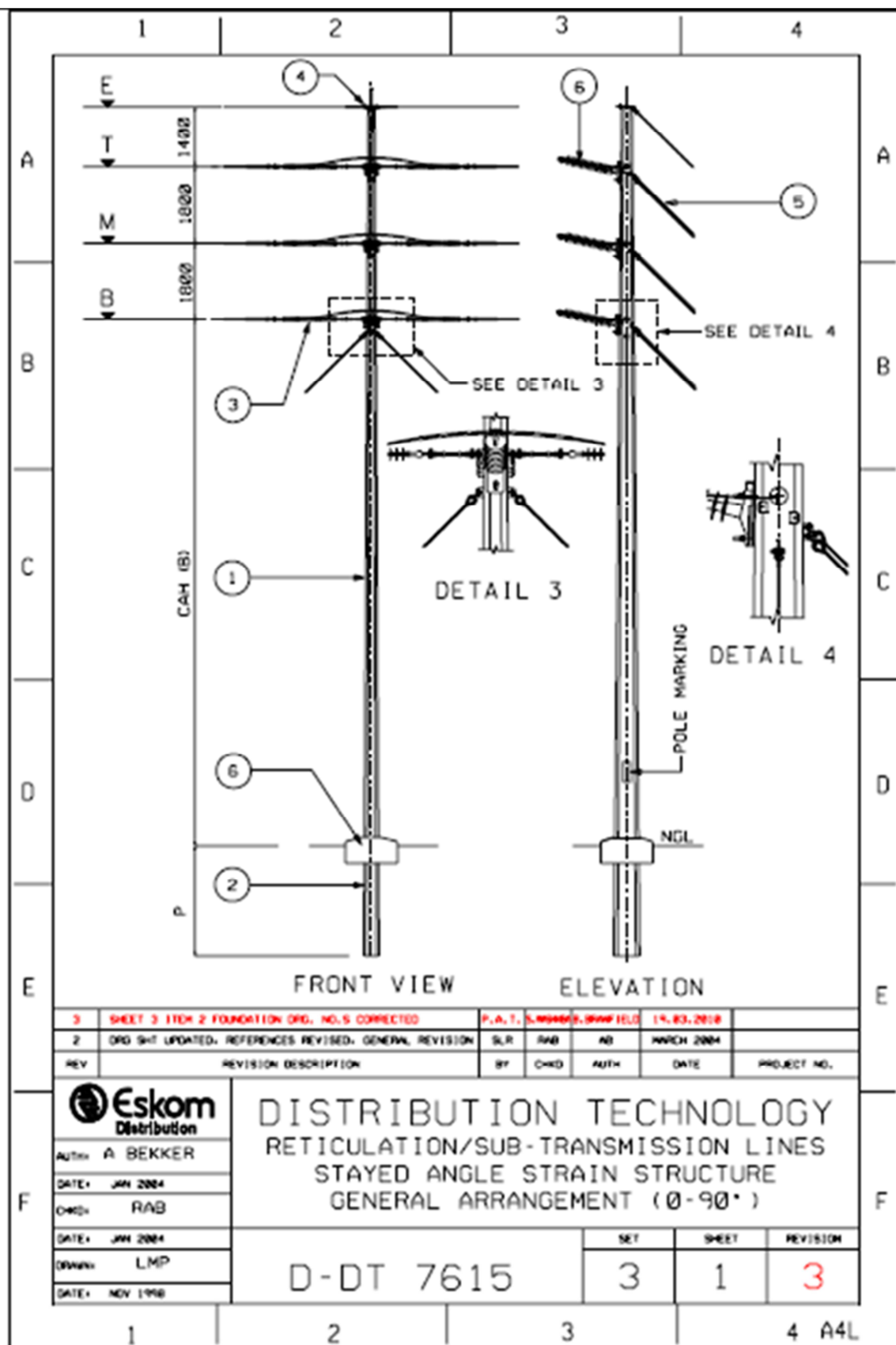


DISTRIBUTION TECHNOLOGY
SUB-TRANSMISSION LINES

AUTH:	A BEKKER
DATE:	SEPT 2004
CHKD:	RAB
DATE:	SEPT 2004
DRWN:	SLR
DATE:	SEPT 2004

132kV H-POLE STRUCTURES - 8m XARM
TERMINAL STRUCTURE 70-120kN RANGE

	SET	SHEET	REVISION
D-DT 7808	3	1	1



3	SHEET 3 FROM 2 FOUNDATION ORG. NO. 5 CORRECTED	P.A.T.	L.M.P.	RAB	NO	JANICH 2004	14.03.2010	
2	ORG SHIT UPDATED. REFERENCES REVISED. GENERAL REVISION	SLR	RAB	NO	JANICH 2004			
REV	REVISION DESCRIPTION	BY	CHKD	AUTH	DATE	PROJECT NO.		



AUTH: A BEKKER

DATE: JAN 2004

CHKD: RAB

DATE: JAN 2004

DRWN: LMP

DATE: NOV 1998

DISTRIBUTION TECHNOLOGY
RETICULATION/SUB-TRANSMISSION LINES
STAYED ANGLE STRAIN STRUCTURE
GENERAL ARRANGEMENT (0-90°)

D-DT 7615

SET	SHEET	REVISION
3	1	3