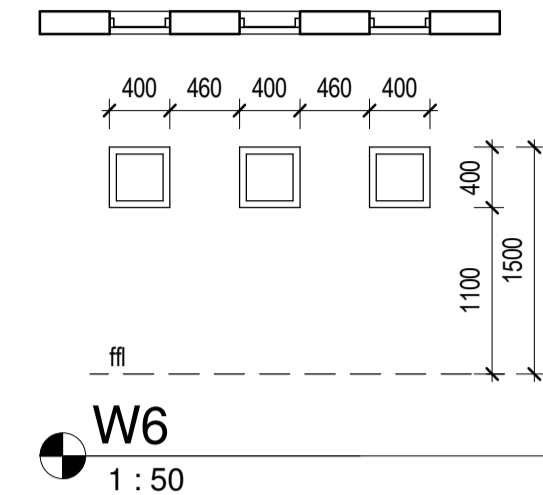
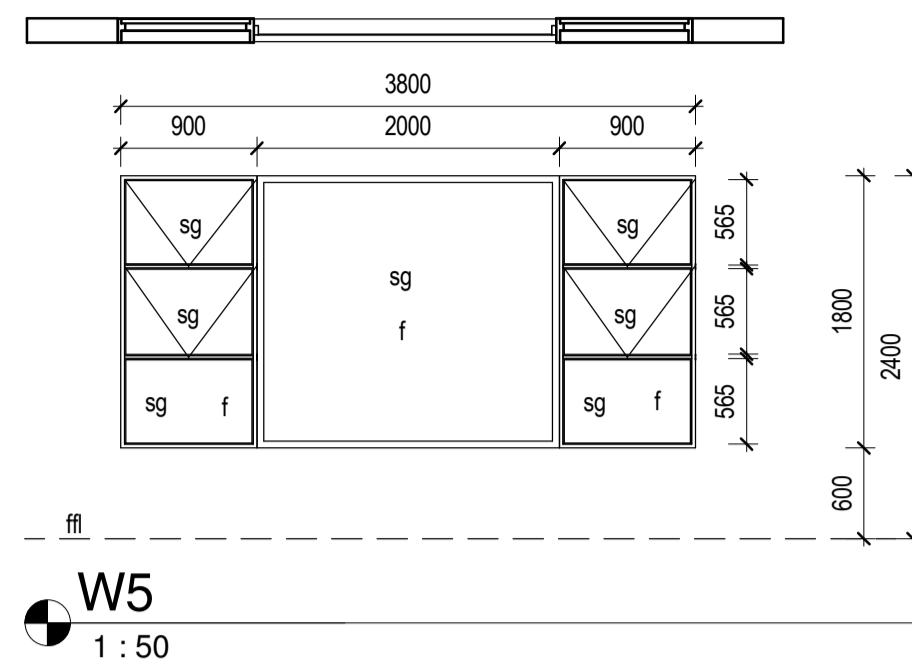
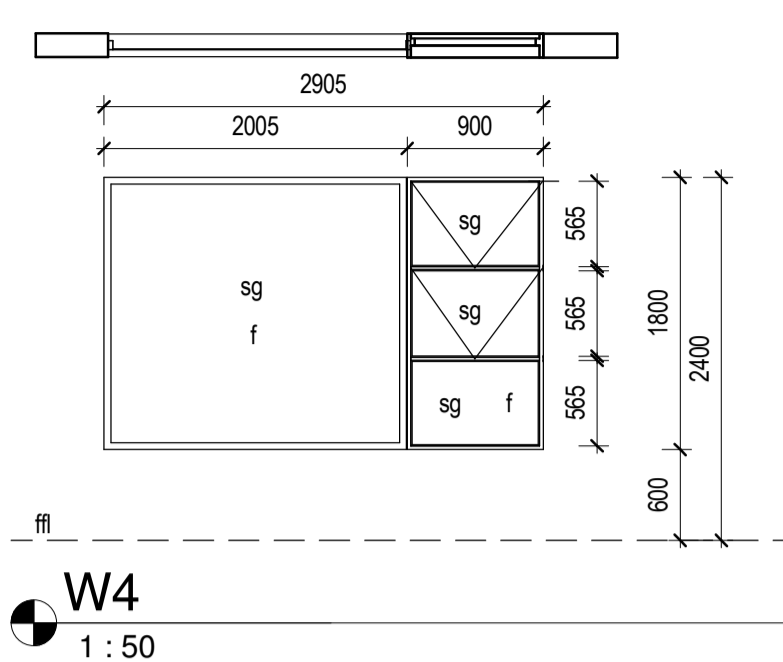
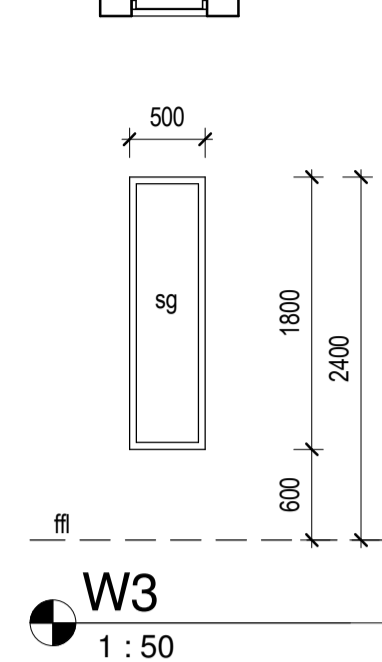
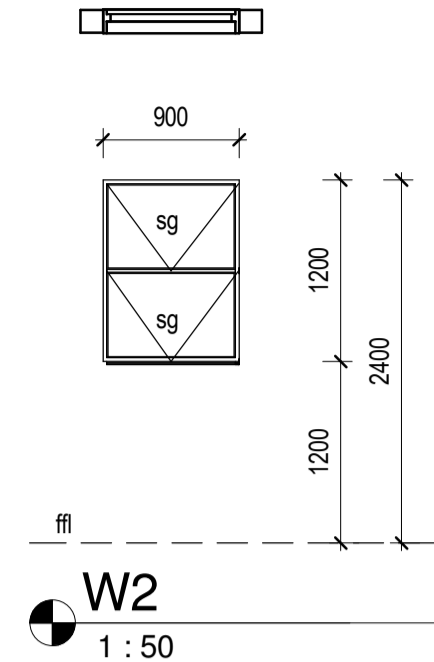
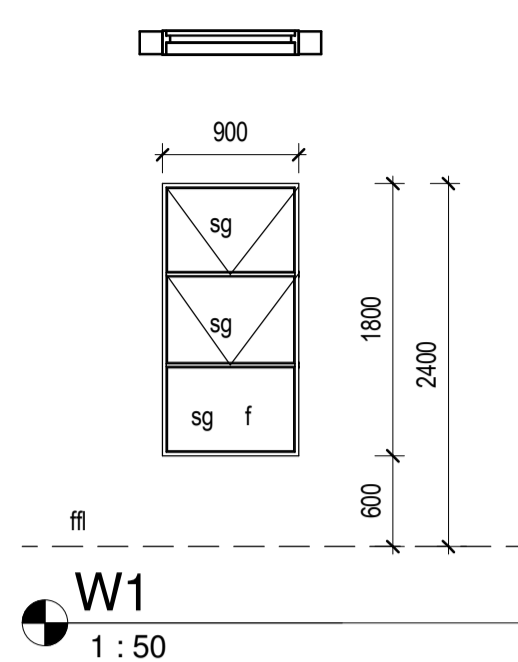
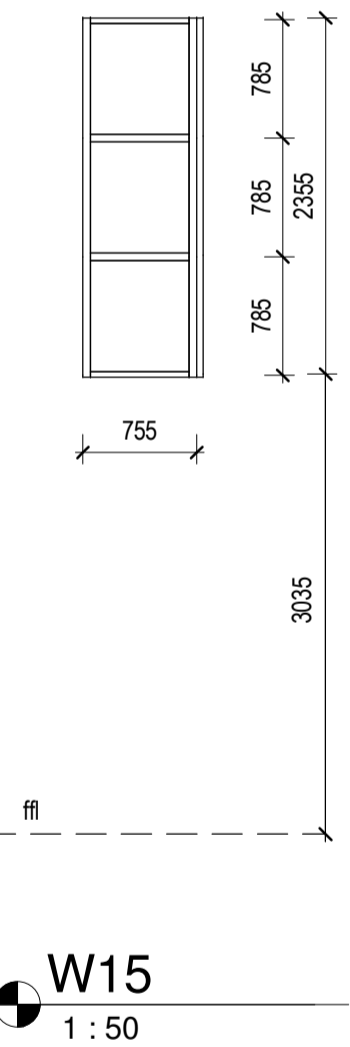
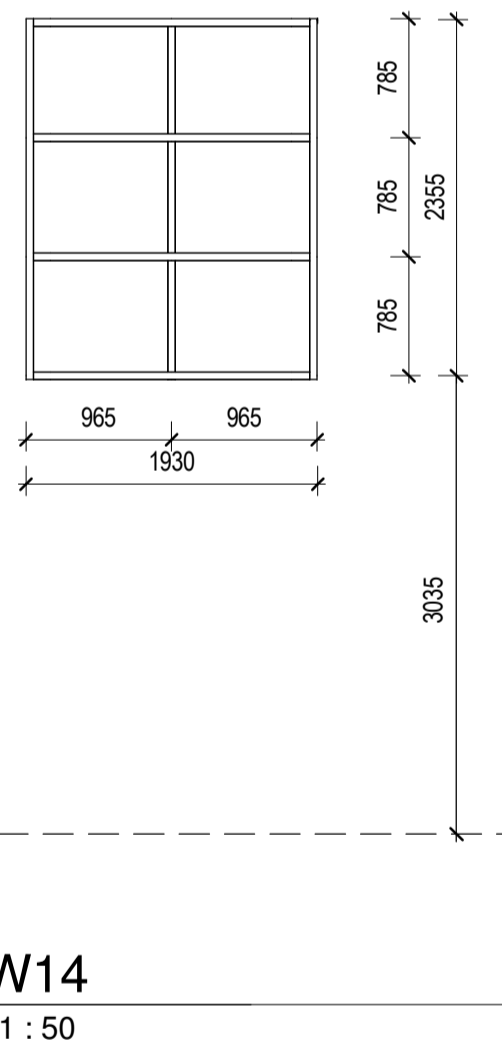
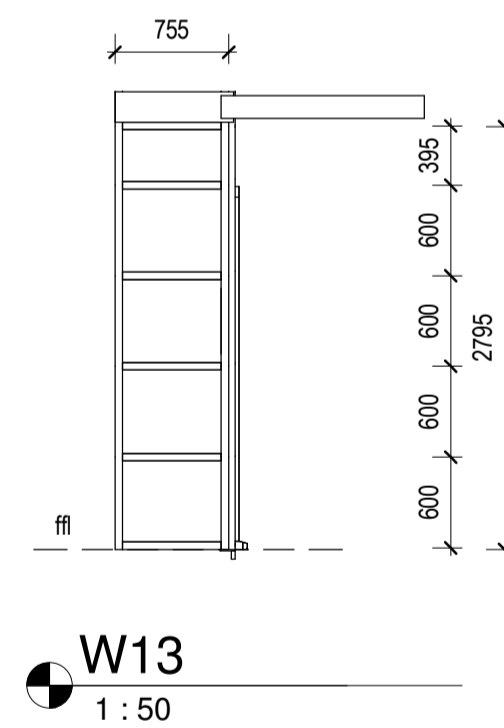
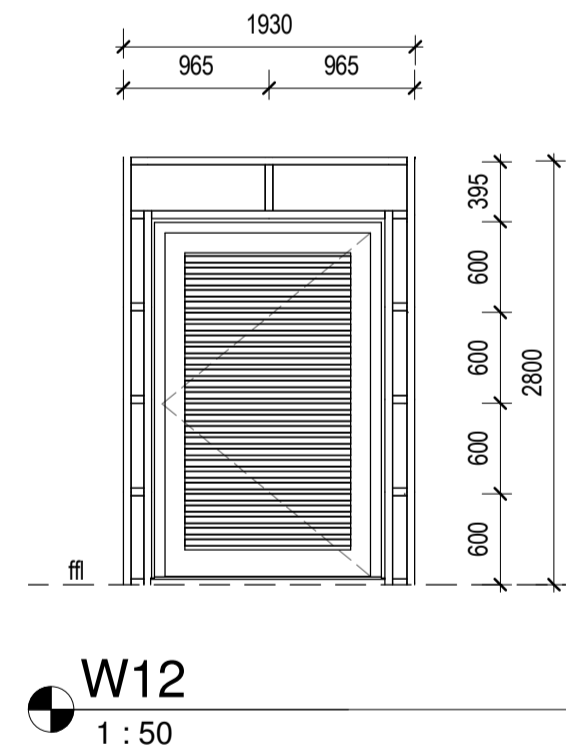
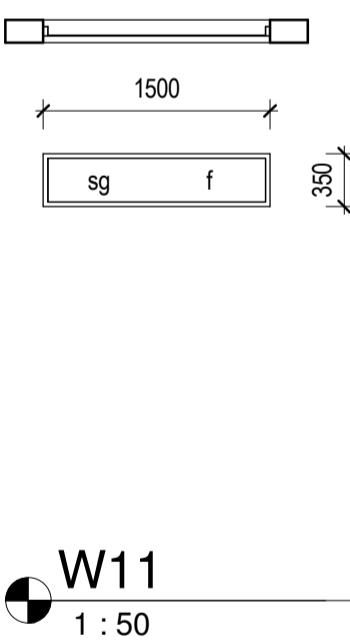
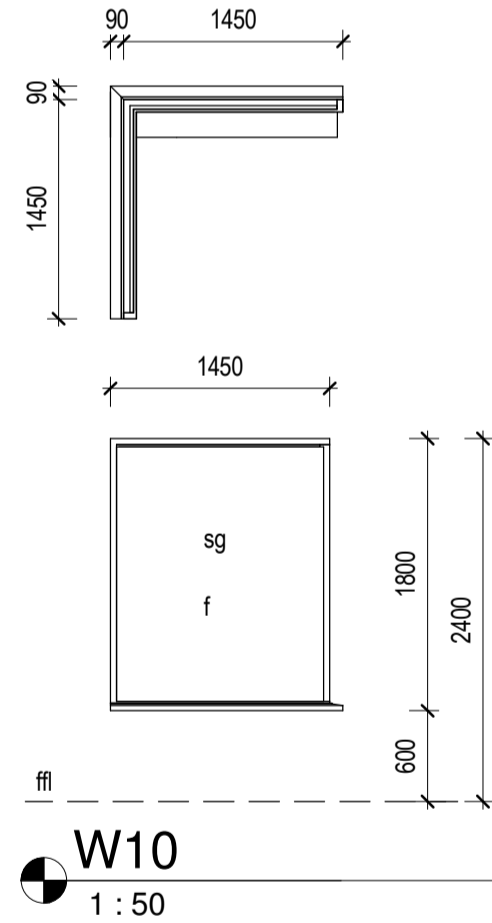
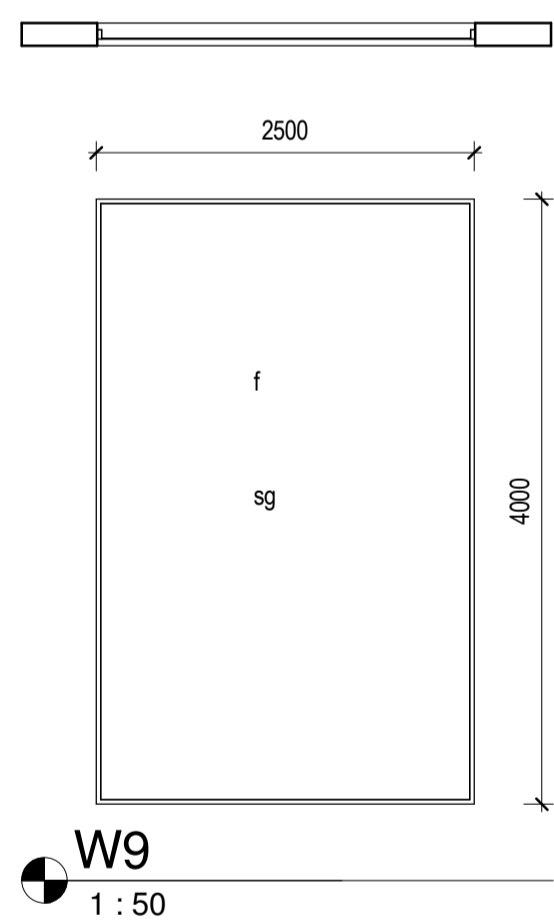
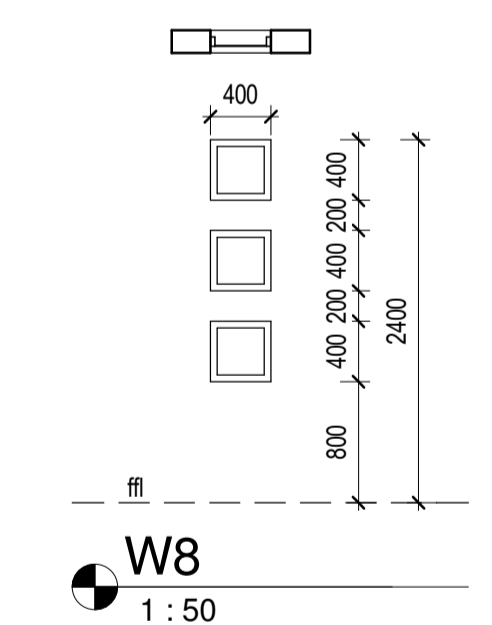
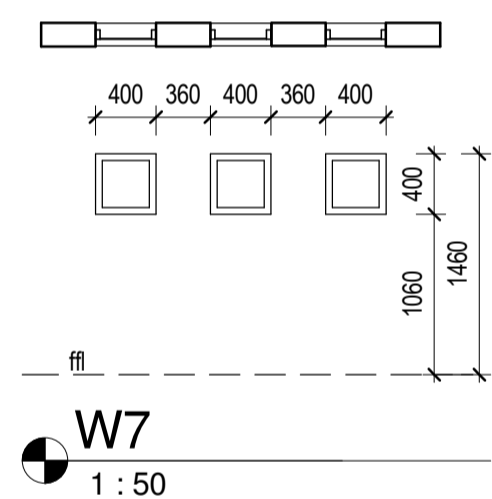


WINDOW SCHEDULE



Window	Count	Height	Width	Sill Height	Head Height	Location	Level	Description	Glazing	Comments
W1	1	1800	900	600	2400	Bedroom 1	First Floor	powder coated aluminium	6.3mm safety glazing	New Window
W1	1	1800	900	600	2400	Bedroom 2	First Floor	powder coated aluminium	6.3mm safety glazing	New Window
W1	1	1800	900	600	2400	Main Lounge	Main Building Ground Floor	powder coated aluminium	6.3mm safety glazing	New Window
W1	1	1800	900	600	2400	Lounge	Ancillary Unit Ground	powder coated aluminium	6.3mm safety glazing	New Window
W1	1	1800	900	600	2400	Bedroom	Ancillary Unit Ground	powder coated aluminium	6.3mm safety glazing	New Window
W1	1	1800	900	600	2400	Lounge	Ancillary Unit Ground	powder coated aluminium	6.3mm safety glazing	New Window
W2	1	1200	900	1200	2400	Scullery/ Laundry	Main Building Ground Floor	powder coated aluminium	6.3mm safety glazing	New Window
W2	1	1200	900	1200	2400	Kitchen	Main Building Ground Floor	powder coated aluminium	6.3mm safety glazing	New Window
W2	1	1200	900	1200	2400	Kitchen	Main Building Ground Floor	powder coated aluminium	6.3mm safety glazing	New Window
W2	1	1200	900	1200	2400	Kitchen	Main Building Ground Floor	powder coated aluminium	6.3mm safety glazing	New Window
W2	1	1200	900	1200	2400	Kitchen	Main Building Ground Floor	powder coated aluminium	6.3mm safety glazing	New Window
W2	1	1200	900	1200	2400	Ancillary Unit Ground	Ancillary Unit Ground	powder coated aluminium	6.3mm safety glazing	New Window
W2	1	1200	900	1200	2400	Bathroom	Ancillary Unit Ground	powder coated aluminium	6.3mm safety glazing	New Window
W3	1	1800	500	600	2400	Guest Ensuite	Main Building Ground Floor	powder coated aluminium	6.3mm safety glazing	New Window
W3	1	1800	500	600	2400	Study	Main Building Ground Floor	powder coated aluminium	6.3mm safety glazing	New Window

Window	Count	Height	Width	Sill Height	Head Height	Location	Level	Description	Glazing	Comments
W3	1	1800	500	600	2400	Main Ensuite	First Floor	powder coated aluminium	6.3mm safety glazing	New Window
W4	1	1800	2000	600	2400	Guest Bedroom	Main Building Ground Floor	powder coated aluminium	6.3mm safety glazing	New Window
W5	1	1800	2000	600	2400	Bedroom 2	First Floor	powder coated aluminium	6.3mm safety glazing	New Window
W5	1	1800	2000	600	2400	Bedroom 1	First Floor	powder coated aluminium	6.3mm safety glazing	New Window
W6	1	400	400	800	1200	Bathroom	First Floor	powder coated aluminium	6.3mm safety glazing	New Window
W7	1	400	400	1100	1500	Main Ensuite	First Floor	powder coated aluminium	6.3mm safety glazing	New Window



Window	Count	Height	Width	Sill Height	Head Height	Location	Level	Description	Glazing	Comments
W8	1	400	400	1100	1500	Guest WC	Main Building Ground Floor	powder coated aluminium	6.3mm safety glazing	New Window
W9	1	4000	2500	-60	3940	Stair	First Floor	powder coated aluminium	6.3mm safety glazing	New Window
W10	1	1800	1500	600	2400	Study	Main Building Ground Floor	powder coated aluminium	6.3mm safety glazing	New Window
W11	1	350	1500	260	610	Informal Lounge	First floor wallplate	powder coated aluminium	6.3mm safety glazing, single low E	New Window
W11	1	350	1500	530	880	Informal Lounge	First floor wallplate	powder coated aluminium	6.3mm safety glazing, single low E	New Window
W11	1	350	1500	380	730	Informal Lounge	First floor wallplate	powder coated aluminium	6.3mm safety glazing, single low E	New Window
W11	1	350	1500	530	880	Informal Lounge	First floor wallplate	powder coated aluminium	6.3mm safety glazing, single low E	New Window
W11	1	350	1500	260	610	Informal Lounge	First floor wallplate	powder coated aluminium	6.3mm safety glazing, single low E	New Window
W11	1	350	1500	380	730	Informal Lounge	First floor wallplate	powder coated aluminium	6.3mm safety glazing, single low E	New Window
W11	1	350	1500	505	855	Informal Lounge	First floor wallplate	powder coated aluminium	6.3mm safety glazing, single low E	New Window
W11	1	350	1500	505	855	Informal Lounge	First floor wallplate	powder coated aluminium	6.3mm safety glazing, single low E	New Window

Window	Count	Height	Width	Sill Height	Head Height	Location	Level	Description	Glazing	Comments
W12	1	2800	1930			Entrance	Ground Floor	powder coated aluminium	6.3mm safety glazing, single low E	New Window
W13	1	2800	755			Entrance	Ground Floor	powder coated aluminium	6.3mm safety glazing, single low E	New Window
W14	1	2355	1930			Entrance	Ground Floor	powder coated aluminium	6.3mm safety glazing, single low E	New Window
W15	1	2355	755			Entrance	Ground Floor	powder coated aluminium	6.3mm safety glazing, single low E	New Window

NAME :	TEL NO :
ID NO. :	
ADD. :	
SIGN :	

NAME :	TEL NO :
ID NO. :	
ADD. :	
SIGN :	

NAME :	TEL NO :
ID NO. :	
ADD. :	
SIGN :	

NAME :	TEL NO :
ID NO. :	
ADD. :	
SIGN :	

Client: Mr Bradley Coucom
 ARCHITECT: Torbjorn Hansen
 SACAP 6972

Proposed Additions and Alterations, Garage and Ancillary Unit to dwelling for Mr B Coucom at 667 Andrew Zondo Road, Athlone Park, ERF 1172 of AMANZIMTOTI EXT 3

SUBMISSION DRAWINGS
 window schedule



Scale 1 : 50	Date January 2013	Drawn By B.S
Proj No. 1206-01	DWG NO. la_601	Rev. -