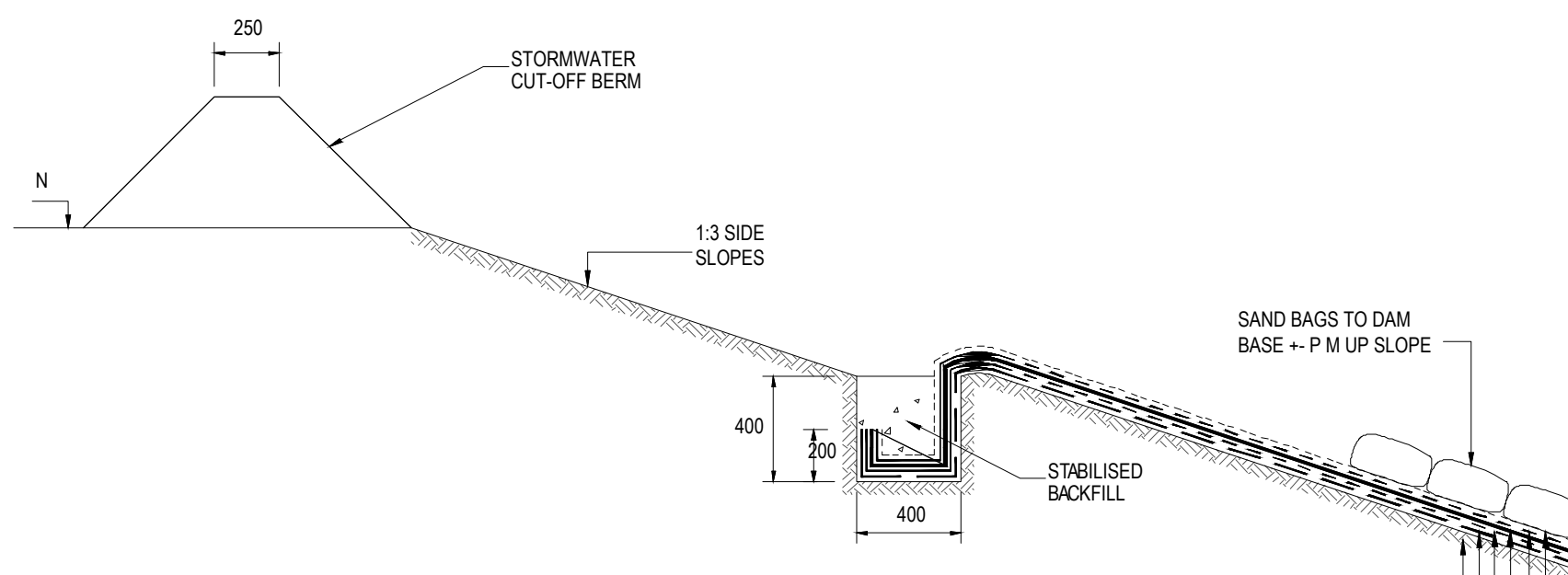
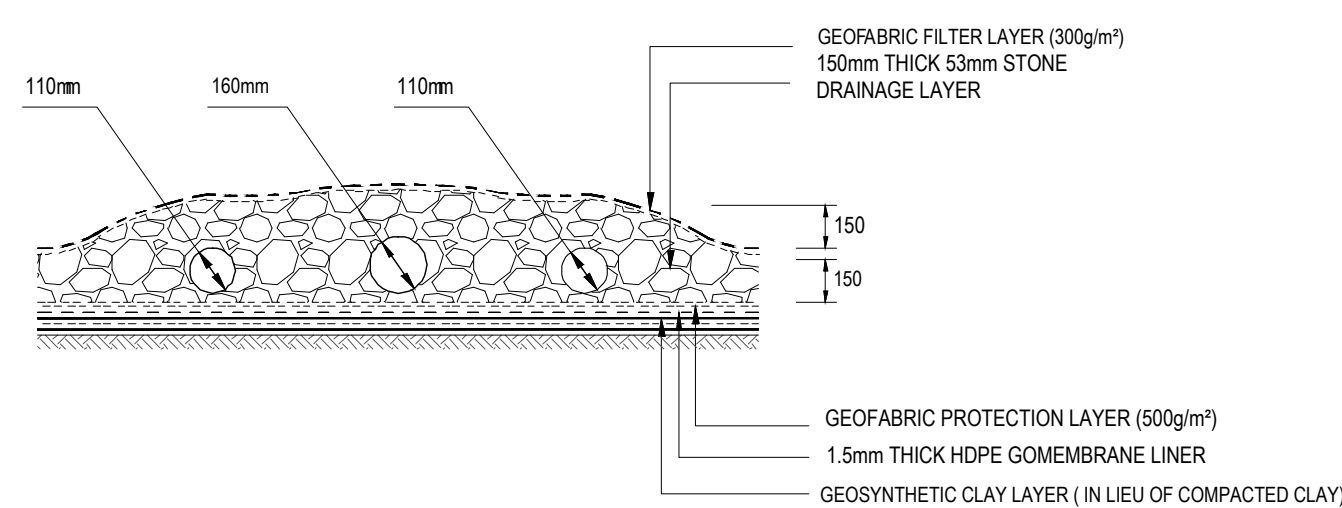


DETAIL A - LANDFILL CELL ANCHOR TRENCH DETAIL
N.T.S.



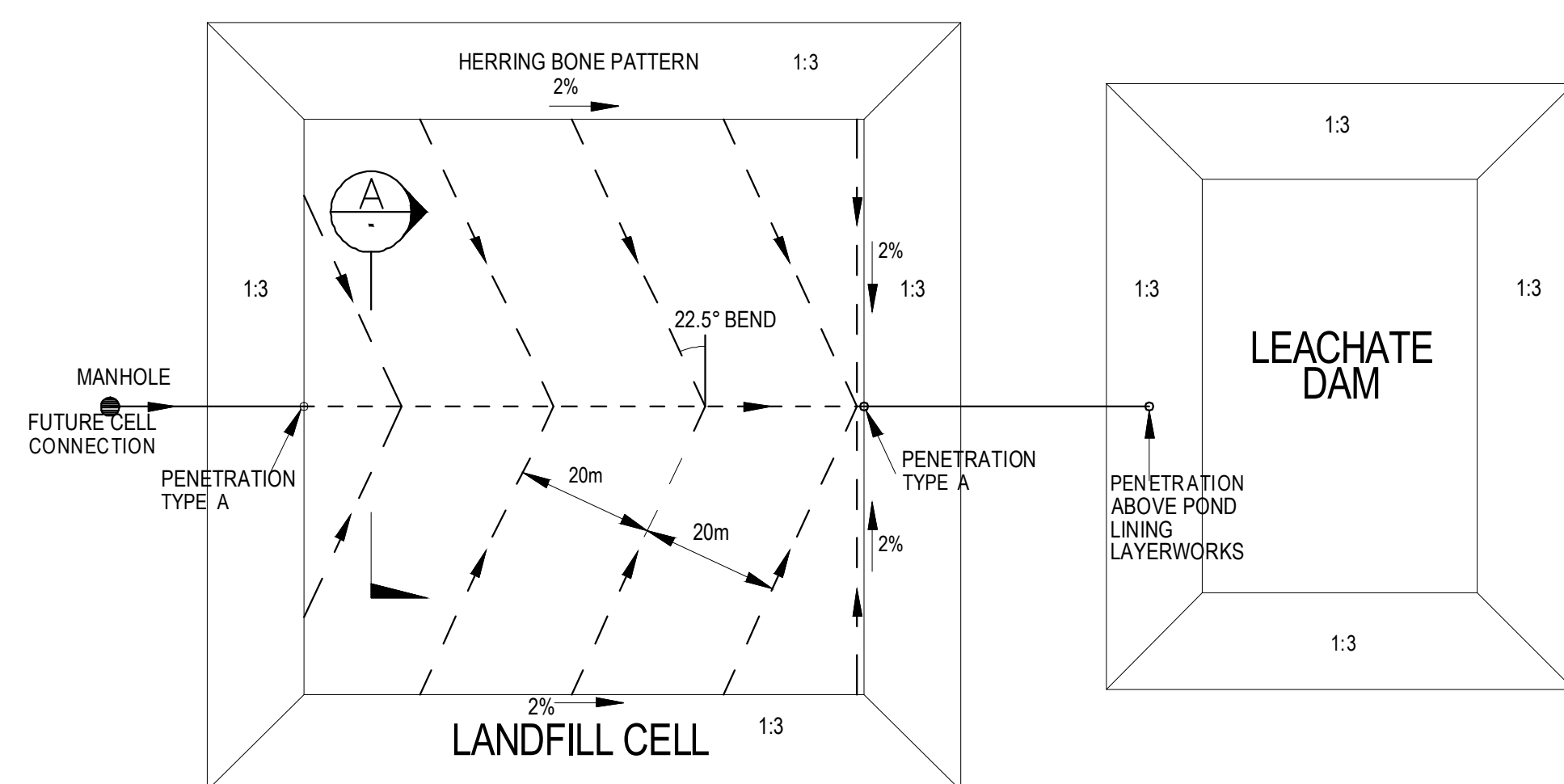
DEAIL B - LEACHATE POND ANCHOR TRENCH DETAIL
N.T.S.



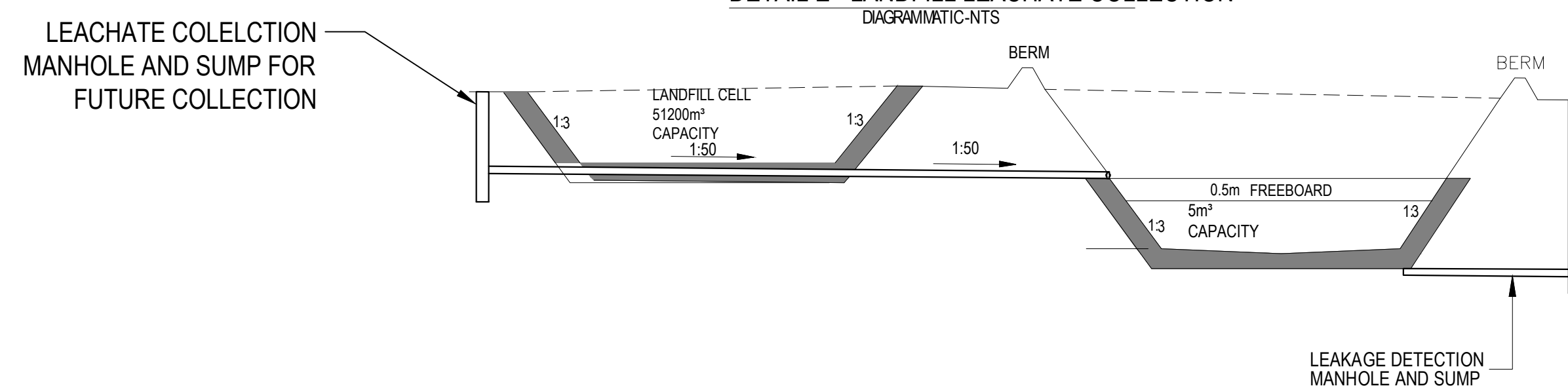
SECTION A
N.T.S.

BASIN DETAIL

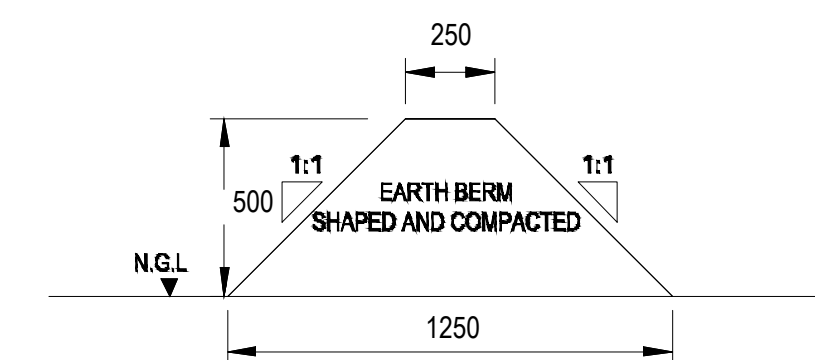
LEGEND	
---	110mm PE100 HDPE PERFORATED PIPE
---	200mm PE100 HDPE PERFORATED PIPE
---	200mm PE100 HDPE PIPE



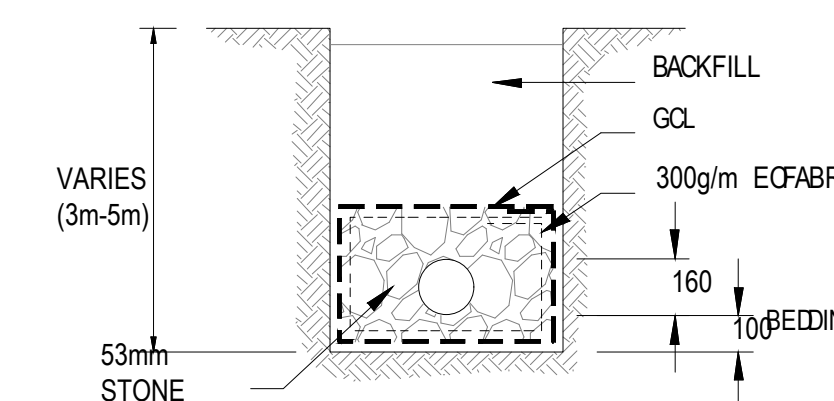
DETAIL E - LANDFILL LEACHATE COLLECTION
DIAGRAMMATIC-N.T.S.



TYPICAL CROSS-SECTION
N.T.S.

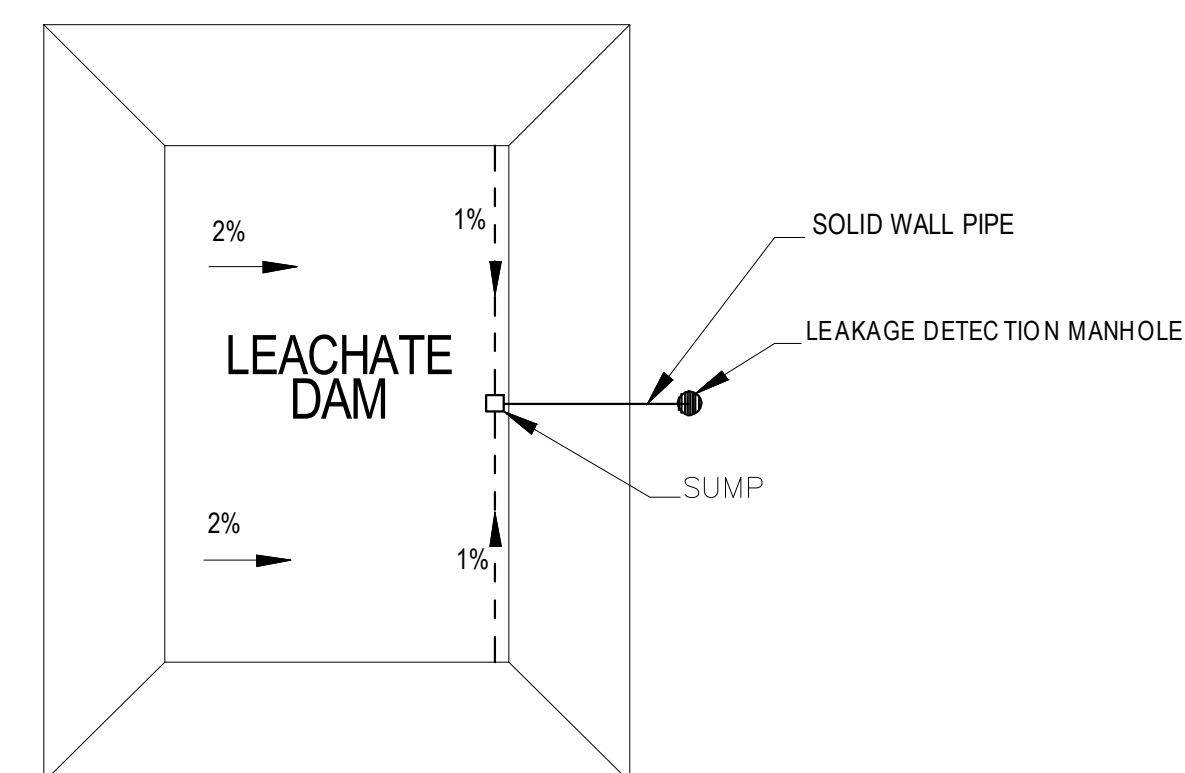


DETAIL C: STORMWATER CUT-OFF BERM
1:20



DETAIL D: PIPE BACKFILLING AND BEDDING DETAIL (TO ALL PIPES IN VIRGIN GROUND)
N.T.S.

LEGEND	
---	160mm PE100 HDPE PIPE
---	160mm PE100 HDPE PERFORATED PIPE



DETAIL F - LEAKAGE DETECTION
DIAGRAMMATIC- N.T.S.

NOTES

All dimensions on the drawings must be against the existing site conditions before the commencement of any work.

Drawings may not be scaled.

Except where otherwise indicated all given levels are unfinished levels.

All work must be done according to the South African Bureau of Standard's code of practice SANS 10400-2010



discipline CIVIL ENGINEERING

service PROJECT NO: MISA/MLM/UFLS/006/2018: FRANKFORT: UPGRADING OF THE FRANKFORT LANDFILL SITE IN THE MAFUBE LOCAL MUNICIPALITY, FREE STATE PROVINCE, PHASE 1

CONSTRUCTION OF WASTE DISPOSAL FACILITY

drawing title LANDFILL DETAILS

ref.no.	designed Tokelo Motheane
scale AS SHOWN	drawn C Swarts
date FEB 2019	checked N Radiapeng
drawing number	

MISA-MLM/2018/ PD/SL000001