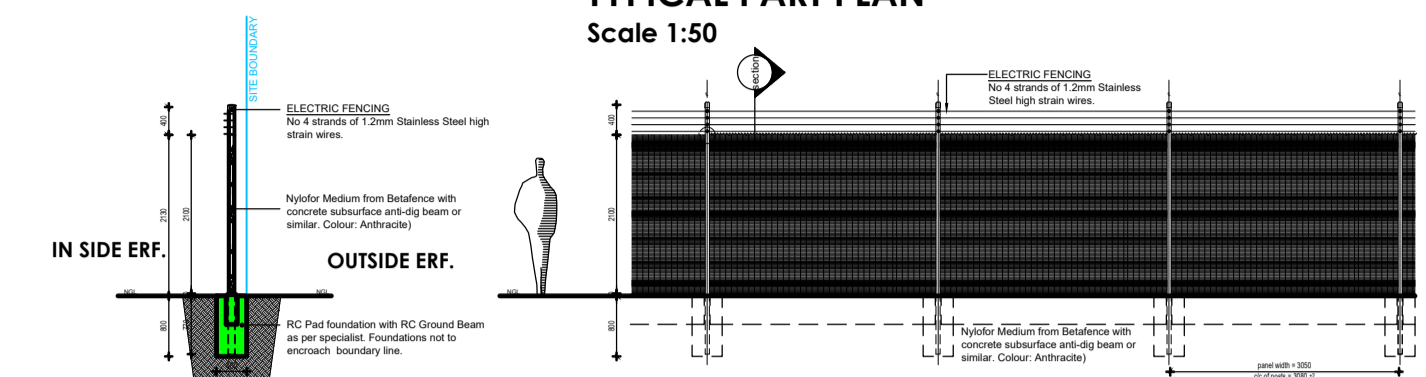
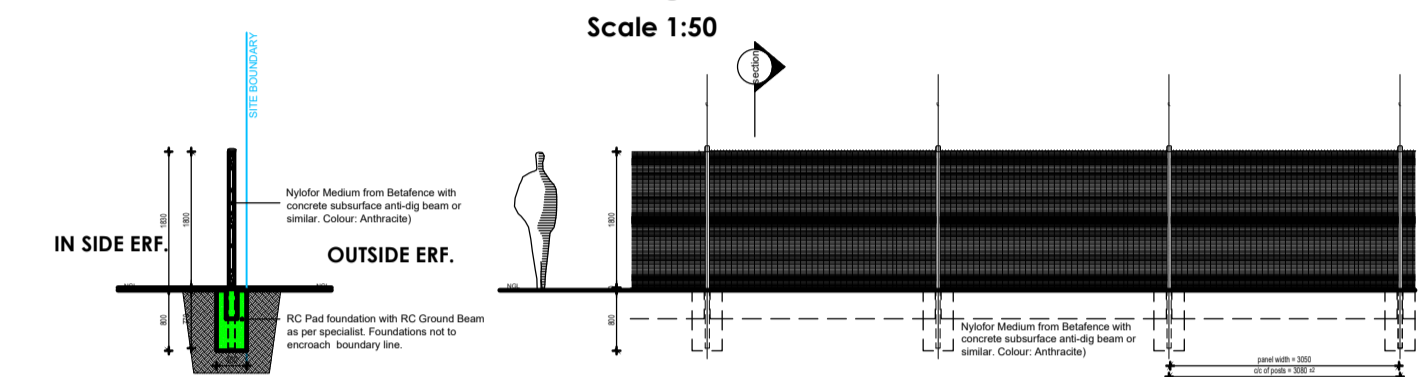


TYPE A
Height : 2.1m



TYPICAL PART PLAN
Scale 1:50

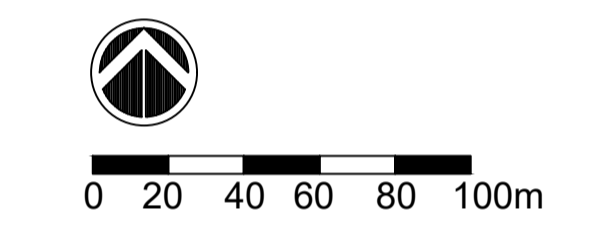
TYPE B
Height : 1.8m



TYPICAL PART PLAN
Scale 1:50



- Legend**
- Shade netting
 - Agricultural test block
 - Electric fencing
 - Divisional road
 - Access road
 - Service roads



CLIENT: **TOPFRUIT**

PROJECT TITLE:
**NEW FARM OPERATIONS
PTN. OF
FARM NO. 956, PAARL**

DRAWING TITLE:
SITE DEVELOPMENT PLAN

PROJECT No.:	T4303	SCALE:	1:2000
DRAWING No.:	SDP001	DATE:	05/08/2020
REV.:	/	DRAWN:	JLV
		CHECKED:	GDK

FOR DISCUSSION

This drawing and all the information contained thereon is the property of Dennis Moss Partnership and may not be copied or disclosed to a third party without their written consent.