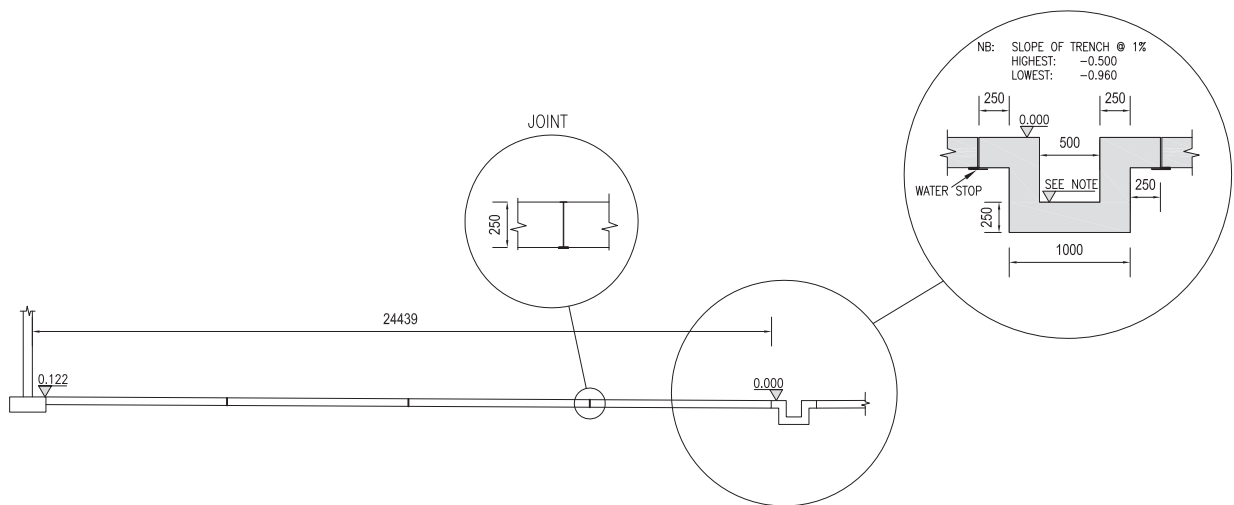
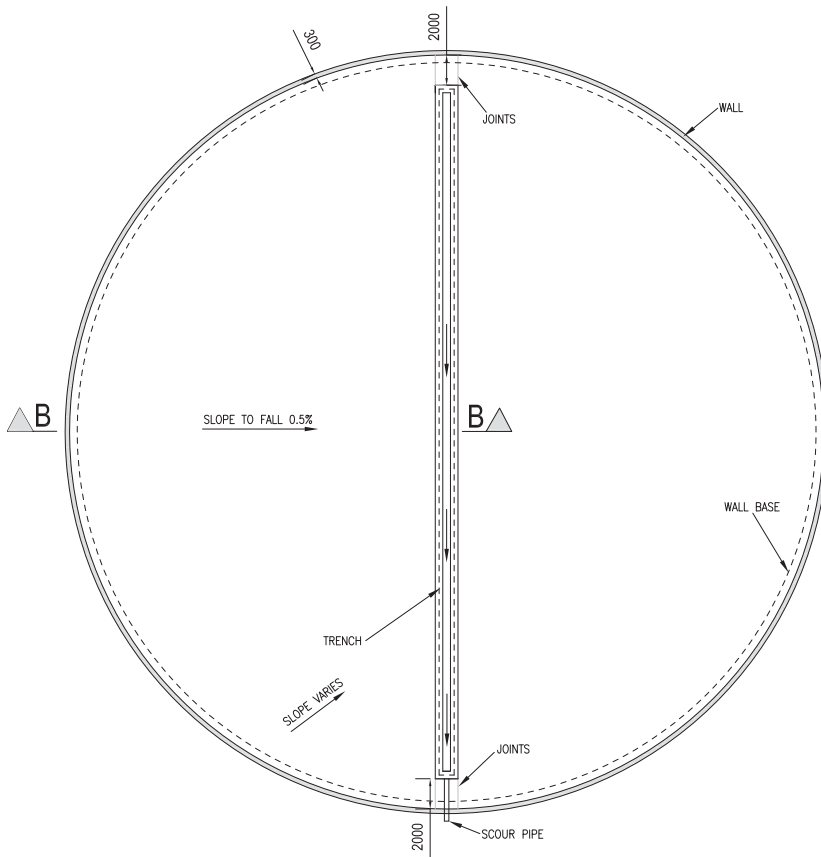


OPTION 1  
 PLAN OF RESERVOIR FLOOR SLAB WITH JOINTS  
 (COLUMNS OMITTED FOR CLARITY)  
 SCALE 1 : 500

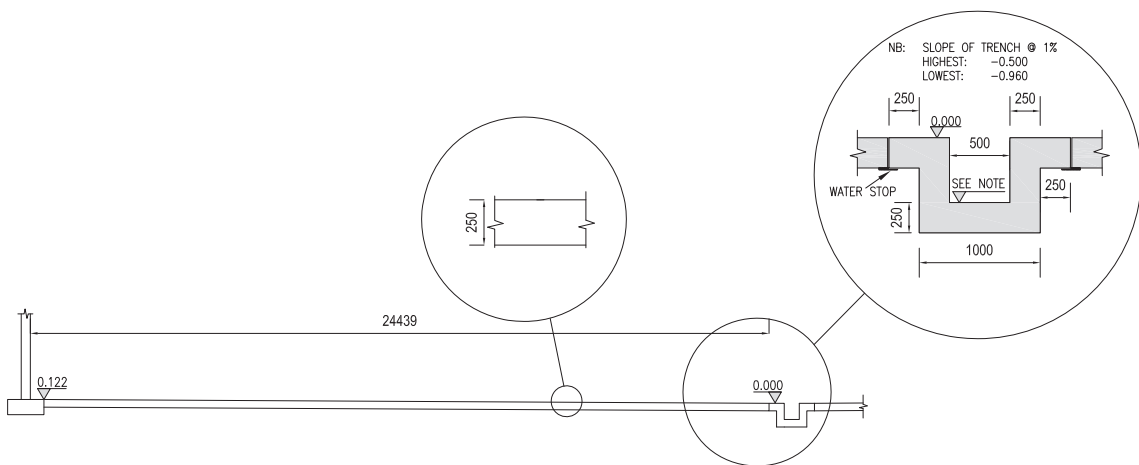


OPTION 1  
 SECTION "A-A": ELEVATION OF FLOOR SLAB  
 SCALE 1 : 500



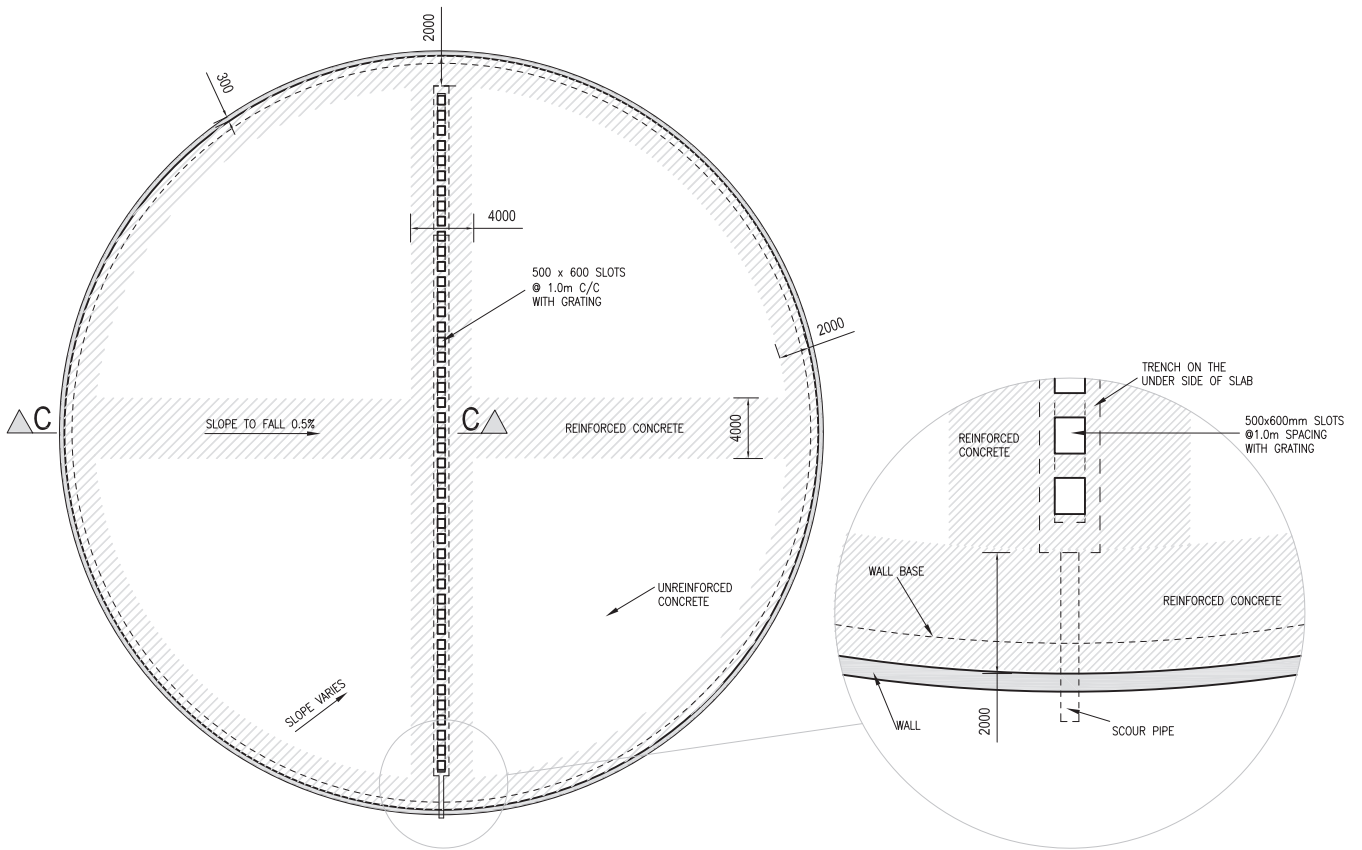
OPTION 2  
 PLAN OF RESERVOIR FLOOR SLAB JOINTLESS  
 (COLUMNS OMITTED FOR CLARITY)

SCALE 1 : 500



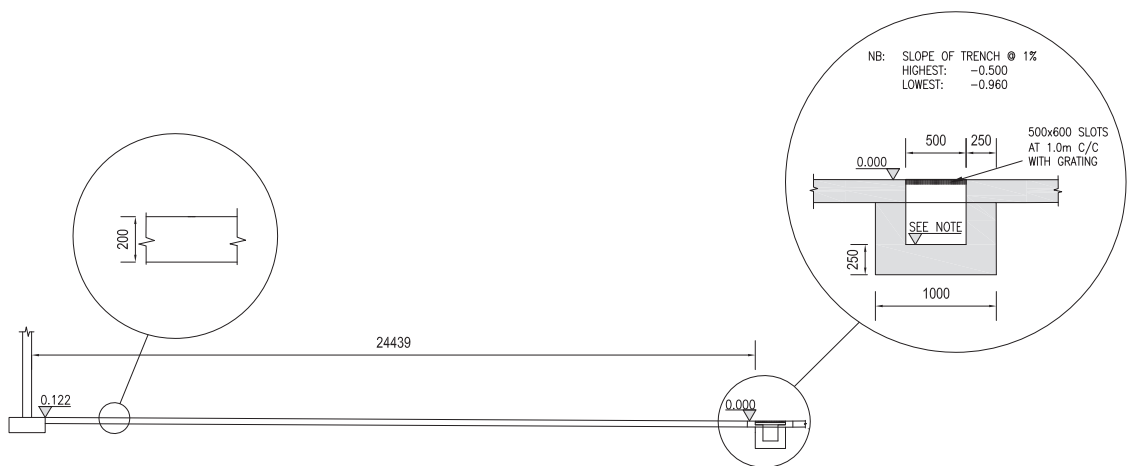
OPTION 2  
 SECTION "B-B": ELEVATION OF FLOOR SLAB

SCALE 1 : 500



OPTION 3  
 PLAN OF RESERVOIR FLOOR SLAB - POST TENSIONED  
 (COLUMNS OMITTED FOR CLARITY)  
 REINFORCED CONCRETE

SCALE 1 : 500



OPTION 3  
 SECTION "C-C": ELEVATION OF FLOOR SLAB

SCALE 1 : 500